



The Clearing House Customer Documentation

RTP Message Specification

Version 3.0

May 2024

AUTHORIZATION

THIS DOCUMENT (“DOCUMENT”) IS PROVIDED UNDER THE TERMS OF THIS RTP DOCUMENTATION AGREEMENT (“AGREEMENT”). ANY USE OR REPRODUCTION OF THE DOCUMENT CONSTITUTES RECIPIENT'S ACCEPTANCE OF THIS AGREEMENT.

This Agreement is an agreement between Recipient and The Clearing House Payments Company, L.L.C. (“**Payco**”). Capitalized terms used but not defined in this Agreement shall have the meanings given to such terms in the Real-Time Payments Operating Rules or Real-Time Payments Participation Rules released by Payco from time to time (collectively, the “**Rules**”) which are available for download at Payco’s website, <https://www.theclearinghouse.org/payment-systems/real-time-payments> . For purposes of this Agreement, “**Recipient**” means the person who receives this Document from Payco or, if the person who receives this Document from Payco is the representative of a juristic person, that juristic person.

Subject to the terms of this Agreement, Payco hereby grants Recipient a worldwide, non-assignable, non-sublicensable, non-transferable, non-exclusive, royalty-free copyright license to reproduce this Document and prepare derivative works of this Document that are products and services that integrate with the Real-Time Payments service provided by Payco (“**Works**”) and publicly display, publicly perform, distribute and sublicense the Works (the “**License**”). As a condition to exercising the rights and licenses granted hereunder, Recipient hereby assumes sole responsibility to secure any other intellectual property rights needed, if any. For example, if a third party patent license is required to allow Recipient to distribute the Works, it is Recipient's responsibility to acquire that license before distributing the Works.

The Document is the property of Payco and Payco retains all right, title, and interest in and to the proprietary rights expressed in this document and the information contained therein. Recipient shall not disclose the Document to any third party and no rights in the Document are granted other than those specifically authorized by the License. Any reproduction of the Document must reproduce this Agreement, including partial copies. The Document must be returned to Payco or the Works and Document must be destroyed immediately, upon Payco’s request. In the event of such a request, Recipient will provide a certification if it is a natural person, or a certification of a senior officer or executive if it is a representative of a juristic person, that all copies of the Document and Works have been destroyed or returned to Payco as required.

If you are a Participant, you acknowledge and agree that this agreement and the licenses granted hereunder are subject to your Participant Agreement and the Rules, and you agree that nothing herein shall relieve you of your obligation to comply with the foregoing. In the event of a conflict between this Agreement and the Participant Agreement or the Rules, the Participant Agreement or the Rules, as applicable, shall control.

EXCEPT AS EXPRESSLY SET FORTH IN THIS AGREEMENT, THE DOCUMENT IS PROVIDED ON AN "AS IS" BASIS, WITHOUT WARRANTIES OR CONDITIONS OF ANY KIND, EITHER EXPRESS OR IMPLIED INCLUDING, WITHOUT LIMITATION, ANY WARRANTIES OR CONDITIONS OF TITLE, NON-INFRINGEMENT, MERCHANTABILITY OR FITNESS FOR A PARTICULAR PURPOSE.

Recipient is solely responsible for determining the appropriateness of using the Document and assumes all risks associated with its exercise of rights under this Agreement, including but not limited to the risks and costs of program errors, compliance with applicable laws, damage to or loss of data, programs or equipment, and unavailability or interruption of operations.

Recipient shall, at its sole cost and expense, indemnify and hold Payco and its affiliates harmless from and against any and all damages arising out of or related to Recipient's use and reproduction of the document and works.

PAYCO SHALL HAVE NO LIABILITY FOR ANY DIRECT, INDIRECT, INCIDENTAL, SPECIAL, EXEMPLARY, OR CONSEQUENTIAL DAMAGES (INCLUDING WITHOUT LIMITATION LOST PROFITS), HOWEVER CAUSED AND ON ANY THEORY OF LIABILITY, WHETHER IN CONTRACT, STRICT LIABILITY, OR TORT (INCLUDING NEGLIGENCE OR OTHERWISE) ARISING IN ANY WAY OUT OF THE USE OR REPRODUCTION OF THE DOCUMENT OR THE EXERCISE OF ANY RIGHTS GRANTED HEREUNDER BY RECIPIENT, EVEN IF ADVISED OF THE POSSIBILITY OF SUCH DAMAGES.

If any provision of this Agreement is invalid or unenforceable under applicable law, it shall not affect the validity or enforceability of the remainder of the terms of this Agreement, and without further action by the parties hereto, such provision shall be reformed to the minimum extent necessary to make such provision valid and enforceable.

If Recipient institutes patent litigation against Payco or any affiliate of Payco (including a cross-claim or counterclaim in a lawsuit) alleging infringement of Recipient's patent(s), then the License of this Agreement shall terminate as of the date such litigation is filed.

All Recipient's rights under this Agreement shall terminate if it fails to comply with any of the material terms or conditions of this Agreement and does not cure such failure in a reasonable period of time after becoming aware of such noncompliance. If all Recipient's rights under this Agreement terminate, Recipient agrees to cease use of the Document and Works as soon as reasonably practicable. However, Recipient's obligations under this Agreement shall continue and survive.

This Agreement is governed by the laws of the State of New York and the intellectual property laws of the United States of America. Each party waives its rights to a jury trial in any resulting litigation.

CONTENTS

Authorization.....	2
Contents	4
1 DOCUMENT CONTROL.....	11
1.1 Change History	11
2 INTRODUCTION	14
2.1 Document Purpose.....	14
2.2 Scope.....	14
2.3 Acronyms	15
2.4 Key Fields	15
2.5 Date / Time Format.....	18
2.6 Regular Expression (RegEx) description.....	19
2.6.1 Usage in Currency, Country Code, Phone Number and LEI.....	19
2.6.2 Identifications.....	19
3 IDENTIFICATION USAGE AND DEFINITIONS	21
3.1 Reference Numbers (Identification)	21
3.1.1 Business Message Identifier	21
3.1.2 Message Identification / Assignment Identification	22
3.1.3 Instruction Identification (for duplicate checking)	22
3.1.4 Transaction Identification	22
3.2 Identification Linkages	23
3.2.1 Standard Credit Transfer (pacs.008).....	23
3.2.2 Standard Credit Transfer (pacs.008) – Time-out	23
3.2.3 Request for Payment (pain.013) followed by Credit Transfer (pacs.008).....	25
3.2.4 Request for Return of Funds	26
4 MESSAGE FORMAT DESCRIPTION.....	27
4.1 Character Set.....	29
4.2 XML Element Format.....	30
4.3 ISO Information Detailed Message Field Description	30

5	OVERALL MESSAGE STRUCTURE	31
5.1	Message Structure	31
5.2	Business Application Header	31
5.3	Business Payload	31
5.4	Sample RTP Message Structure	32
5.5	Message Schema	32
6	MESSAGE STRUCTURE SPECIFICATION BUSINESS APPLICATION HEADER	34
6.1	Business Application Header – head.001.001.01	34
6.1.1	Scope	34
6.1.2	Usage of Member ID within the Business Application Header	34
6.1.3	Branch ID usage	35
6.1.4	Message Structure Description	37
6.1.5	Detail Message Field Description.....	38
6.1.6	Example.....	49
7	MESSAGE STRUCTURE SPECIFICATION CREDIT TRANSFER	52
7.1	Credit Transfer Message – pacs.008.001.08	52
7.1.1	Scope	52
7.1.2	Message Structure Description	53
7.1.3	Detail Message Field Description.....	58
7.1.4	Referred Document Amount Usage in RTP Credit Transfers.....	110
7.1.5	INTERBANK SETTLEMENT DATE IN CREDIT TRANSFER MESSAGES.....	111
8	MESSAGE STRUCTURE SPECIFICATION MESSAGE STATUS REPORT	112
8.1	Message Status Report – pacs.002.001.10	112
8.1.1	Scope	112
8.1.2	Message Structure Description	120
8.1.3	Detail Message Field Description.....	121
9	MESSAGE STRUCTURE SPECIFICATION REQUEST FOR PAYMENT	134
9.1	Request for Payment – pain.013.001.07.....	134
9.1.1	Scope	134

9.1.2	Message Structure Description	135
9.1.3	Detail Message Field Description.....	140
9.1.4	Referred Document Amount Usage in RTP Request for Payment Messages	194
9.2	Response to Request for Payment – pain.014.001.07	195
9.2.1	Scope	195
9.2.2	Message Structure Description	196
9.2.3	Detail Message Field Description.....	198
10	MESSAGE STRUCTURE SPECIFICATION REQUEST FOR RETURN OF FUNDS & SYSTEM TIME-OUT .	214
10.1	Request for Return of Funds – camt.056.001.08	214
10.1.1	Scope	214
10.1.2	Message Structure Description	216
10.1.3	Detail Message Field Description.....	218
10.2	Response to Request for Return of Funds – camt.029.001.09	247
10.2.1	Scope	247
10.2.2	Message Structure Description	248
10.2.3	Detail Message Field Description.....	249
11	MESSAGE STRUCTURE SPECIFICATION REQUEST FOR INFORMATION	263
11.1	Request for Information – camt.026.001.07.....	263
11.1.1	Scope	263
11.1.2	Message Structure Description	264
11.1.3	Detail Message Field Description.....	266
11.2	Response to Request for Information – camt.028.001.09	283
11.2.1	Scope	283
11.2.2	Message Structure Description	284
11.2.3	Detail Message Field Description.....	288
12	MESSAGE STRUCTURE SPECIFICATION PAYMENT ACKNOWLEDGEMENT	326
12.1	Acknowledgment – camt.035.001.05	326
12.1.1	Scope	326
12.1.2	Message Structure Description	327
12.1.3	Detail Message Field Description.....	328

13	MESSAGE STRUCTURE SPECIFICATION PAYMENT STATUS REQUEST	337
13.1	Payment Status Request – pacs.028.001.03	337
13.1.1	Scope	337
13.1.2	Message Structure Description	339
13.1.3	Detail Message Field Description.....	340
14	MESSAGE STRUCTURE SPECIFICATION TOKEN NOTIFICATION MESSAGE	348
14.1	Token Notification – acmt.022.001.02.....	348
14.1.1	Scope	348
14.1.2	Message Structure Description	349
14.1.3	Detail Message Field Description.....	350
15	MESSAGE STRUCTURE SPECIFICATION FI TO FI CREDIT TRANSFER	360
15.1	Credit Transfer Message – pacs.009.001.08	360
15.1.1	Scope	360
15.1.2	Message Structure Description	361
15.1.3	Detail Message Field Description.....	363
16	MESSAGE STRUCTURE SPECIFICATION ADMINISTRATION.....	379
16.1	System Event Notification – admi.004.001.02.....	379
16.1.1	Message Structure Description	380
16.1.2	Detail Message Field Description.....	381
16.2	System Event Notification – Data Structure	383
16.2.1	Connectivity Status Broadcast (960).....	383
16.2.2	Funding Agent TPL Multiple Change Notification (961).....	384
16.2.3	TPL Change Status Notification (962).....	385
16.2.4	System Status Broadcast (971).....	386
16.2.5	Participant Suspend Broadcast (972).....	387
16.2.6	Settlement Individual Transaction Limit Status / Change Broadcast (975).....	388
16.2.7	Security Transaction Limit Change Broadcast (976)	389
16.2.8	Free Format Broadcast or Notification (981)	389
16.2.9	Participant Status Broadcast (982)	392
16.2.10	Available Prefunded Balance Warning Notification (993).....	393

16.2.11	Prefunded Balance Breach Notification (994)	395
16.2.12	Prefunded Requirement Change Notification (996)	397
16.2.13	Prefunded Balance Change Notification (998)	398
16.2.14	Reconciliation Status Notification (999)	399
16.3	Message Reject – admn.002.001.01	402
16.3.1	Scope	402
16.3.2	Message Structure Description	402
16.3.3	Detail Message Field Description	403
16.4	Sign-On Request – admn.001.001.01	407
16.4.1	Scope	407
16.4.2	Message Structure Description	407
16.4.3	Detail Message Field Description	408
16.5	Sign-On Response – admn.002.001.01	412
16.5.1	Scope	412
16.5.2	Message Structure Description	412
16.5.3	Detail Message Field Description	413
16.6	Sign-Off Request – admn.003.001.01	418
16.6.1	Scope	418
16.6.2	Message Structure Description	418
16.6.3	Detail Message Field Description	419
16.7	Sign-Off Response – admn.004.001.01	423
16.7.1	Scope	423
16.7.2	Message Structure Description	423
16.7.3	Detail Message Field Description	424
16.8	Echo Request – admn.005.001.01	429
16.8.1	Scope	429
16.8.2	Message Structure Description	429
16.8.3	Detail Message Field Description	430
16.9	Echo Response – admn.006.001.01	435
16.9.1	Scope	435

16.9.2	Message Structure Description	435
16.9.3	Detail Message Field Description.....	436
16.10	Database Report Request – admn.007.001.01	441
16.10.1	Scope	441
16.10.2	Message Structure Description	441
16.10.3	Detail Message Field Description.....	442
16.11	Participants Unable to Transact Report – admn.008.001.01	446
16.11.1	Scope	446
16.11.2	Message Structure Description	446
16.11.3	Detail Message Field Description.....	447
17	APPENDIX A – TCH RTP Supported Character Set	452
18	APPENDIX B - Reject / Reason Codes.....	452
18.1	Reject / Reason Codes for Message Status Report – pacs.002.....	453
18.1.1	List and Usage of ISO Error Codes.....	453
18.1.2	List and Usage of non-ISO Error Codes	456
18.2	Reject / Reason Codes for Response to Request for Payment – pain.014	459
18.2.1	List and Usage of ISO Error Codes.....	459
18.2.2	List and Usage of non-ISO Error Codes	460
18.3	Reject / Reason Codes for Request for Return of Funds - camt.056	460
18.3.1	List and Usage of ISO Error Codes.....	460
18.3.2	List and Usage of non-ISO Error Codes	461
18.4	Reject / Reason Codes for Response to Request for Return of Funds - camt.029.....	462
18.4.1	List and Usage of ISO Error Codes.....	462
19	APPENDIX C – Message Examples.....	462
19.1	Business Application Header – head	462
19.2	Credit Transfer – pacs.008.....	466
19.3	Status Request – pacs.028.....	467
19.4	Message Reject – admi.002.....	468
19.4.1	Token Notification – acmt.022	469

19.5	Administration	470
19.5.1	Sign-on Request – admn.001.....	470
19.5.2	Sign-on Response – admn.002	470
19.5.3	Sign-off Request – admn.003	470
19.5.4	Sign-off Response – admn.002	471
19.5.5	Echo Request – admn.005.....	471
19.5.6	Echo Response – admn.006.....	472
19.6	Database Report	472
19.6.1	Database Report Request – admn.007	472
19.6.2	Unable to Transact Report – admn.008.....	473
19.6.3	Unable to Transact Report – admn.008 (empty report)	473
19.7	Participant Duplicate Checking Requirements Clarification	474
20	APPENDIX D – INDUSTRY CATEGORY CODES	475
20.1	Industry Category Codes	475
21	APPENDIX E – CHANGE VERSION CONTROL.....	475
21.1	Change History	475

1 DOCUMENT CONTROL

1.1 Change History

Vers ion	Date	Comments
3.0	April 2022	<ul style="list-style-type: none"> • Addition of Message flows and definitions in Section 3 • Addition of BizSvc as an Optional tag under BAH • Modification in the multiplicity of Other field & addition of Proprietary field as Mandatory under Scheme name of Initiating Party for Pacs.008 and Pain.013 • Addition of UETR in all the applicable messages except Pacs.009 and Pacs.028 messages • Modification in the multiplicity of “Referred Documentation Information”. Added code(CINV) and Proprietary(CSCM & RTRN) codes under it for Pacs.008 and code(CINV) and Proprietary(CSCM) codes for Pain.013 • Addition of Original E2E ID field in Pain.014 • Addition of Name field under Debtor account and Creditor account fields of Pacs.008 and Pain.013 • Addition of Invoicer and Invoicee Structured Remittance information in Pacs.008 and Pain.013 • Updated the length of OrgID >> Othr >> Id tag to 1..35 in entire document except for Pain.014 and Camt.056 messages • Changes the color from Red to Black for the font present in 2.6.2 Identification chapter • Addition of Ultimate Debtor and Ultimate Creditor OrgID >> Othr >> Id & OrgID >> Othr >> Scheme Name have been added under Pacs.008 and Pain.013 • Modification from Mandatory to Conditional of Ultimate Debtor and Ultimate Creditor OrgID >> Othr >> LEI tag under Pacs.008 and Pain.013 • FIToFICstmrCdtTrf >> CdtTrfTxInf >> RmtInf >> Strd >> RfrdDocInf >> RltdDt Tag change from Mandatory to Conditional • Local instrument “IXB” has been added for the cross border payments under Pacs.008 and Pain.013 messages • MOC and multiplicity of Id, OrgId, Othr kept consistent for Pacs.008, Pain.013, Pain.014, Camt.056 and Camt.028 • Addition of DtAndPlcOfBirth and Scheme name under Pacs.008, Camt.028 and Pain.013 >> Ultimate Creditor and Ultimate Debotr >> PvtId Field • Changed the MOC of Cd and Prtry Tags under Rsn from M to C in Pain.014, Camt.056 and Pacs.002 • Added section 7.1.5 – Description for Interbank settlement in credit transfer message • Updated chapter 2.1 - Product Usage of Electronic signature under pain.013 and Pacs.008 messages and Product Usage of Ultimate Creditor and Ultimate Debtor of Camt.028 message
3.0	June 2022	<ul style="list-style-type: none"> • Added Original UETR under Interbank in both the Request for Information (camt.026) and the Response to Request for Information (camt.028).
3.0	January 2023	<ul style="list-style-type: none"> • Updated/Added language for distribution of IXB specifications in relevant sections • IXB Usage Clarity: <ul style="list-style-type: none"> ○ Updated Product Usage for Ultimate Debtor OrgID >> Othr >> SchmeNm >> Prtry (INDEX 2.762) under pacs.008 ○ Updated Product Usage for Ultimate Debtor Id >> PrvtId >> >> Othr >> SchmeNm >> Prtry (INDEX 2.774) under pacs.008 ○ Updated Product Usage for Ultimate Debtor Id >> OrgId >> Othr >> SchmeNm

- >> Prtry (INDEX 2.206) under pain.013
 - Zelle Usage Clarity:
 - Updated Product Usage for Initiating Party Id >> OrgId >> Othr >> Id (INDEX 2.821) under pacs.008
 - Updated Product Usage for Initiating Party Id >> OrgID >> Othr >> SchmeNm >> Prtry (INDEX 2.824) under pacs.008
 - Added clarity in Product Usage for Remittance Information Strd >> RfrdDocInf >> Nb (INDEX 2.1354) under pacs.008
 - Updated field length for Related Date (INDEX 2.900) under pain.013 to 10
 - Updated the example used for an event unique to a Participant in section 16.1
 - Updated Reason Code for Member Identification (INDEX 1.199) for camt.035 to RC03 for Routing and Transit number is not supported in RTP
 - Added a note to the top of the pacs.009 section
 - Added a note to the top of the acmt.022 section
 - Updated Appendix A Supported Character set. Only & and < are highlighted to reflect current functionality
 - Updated DUPL reason code in section 18.1.1 to indicate it may be used by FI
 - Updated Descriptions for 1100 and NARR in section 18.2
 - Added to Notes in the pacs.028 Scope
 - Applied updates related to RFP Warranty from December 2022
 - Pain.013
 - Added rules for Debtor field
 - Updated product usage description for Remittance ID field
 - Camt.056
 - Updated scope to include RFP warranty
 - Added usage for UPAY code to include breach of RFP warranty
 - Updated product usage description for Additional Information field to include RFP breach of warranty procedure
 - Camt.029
 - Updated product usage description for Confirmation code field to include RFP breach of warranty procedure
 - Update Appendix B Error Codes
 - Updated description for UPAY code
- | | | |
|-----|-------------|--|
| 3.0 | June 2023 | <ul style="list-style-type: none"> • Updated Product usage for Invoicer ID (INDEX 2.997) under pain.013 message • Added Appendix D: Industry Code list for RFP • Added Note(s) for Type (INDEX 2.1349) under pacs.008 message • Updated Product Usage for Number (INDEX 2.1354) under pacs.008 message to include the case when no Types are provided • Updated Descriptions for 1100 and NARR in section 18.1 |
| 3.0 | August 2023 | <ul style="list-style-type: none"> • Updated Product usage for Creditor Name (INDEX 2.650) under pain.013 message • Updated Product usage Creditor Account Name field (INDEX 2.724) under pain.013 message • Updated Product usage for Debtor (INDEX 2.29) under pain.013 message • Updated Length for Date Time (INDEX 3.15) under camt.028 message • Corrected Permitted codes for Code (INDEX 2.1351) under pacs.008 message |
| 3.0 | March 2024 | <ul style="list-style-type: none"> • Updated Product usage for Invoicer ID (INDEX 2.997) under pain.013 message |
| 3.0 | May 2024 | <ul style="list-style-type: none"> • Fixed a typo for “transaact” in 16.11.1 • Updated Postal Address (INDEX 2.856) to Optional under pacs.008 message |

- Updated Postal Address (INDEX 2.1103) to Optional under pacs.008 message
- Added detail on permitted characters for Debtor Account ID Other ID (INDEX 2.920) under pacs.008 message
- Added detail on permitted characters for Creditor Account ID Other ID (INDEX 2.1167) under pacs.008 message
- Section 13.1.1: Added paragraph that was mistakenly dropped from the initial 3.0 version of message specs. Clarity that pacs.028 may also be used with pacs.009 and pain.013
- Fixed a typo in the RegEx for Country Code in section 2.6.1. Close parenthesis has been updated to a close curly bracket
- Updated the example in Creation Date Time for Admin Echo Request (INDEX 1.2) to not include milliseconds
- Updated the example in Creation Date Time for Admin Echo Response (INDEX 1.2) to not include milliseconds
- Updated Original Creation Date Time under Request for Return of Funds (camt.056) (INDEX 4.135) to Mandatory
- Section 18.1.2 Removed Reason Code 9941 from List and Usage of non-ISO Error Codes
- Removed “RTP will not restrict the existing available ISO codes” from Note(s) for Code (INDEX 3.146) under pain.014 message
- Section 18.1.1 Updated Reason Code TM01 “Used By RTP” to “Y”
- Fixed typos in Proprietary (INDEX 2.824) under pacs.008
- Added to Industry Category Codes in Appendix D
- Section 18.1.1 Updated Description and notes for AM02 and AM13
- Added use case “C2G” to Invoicer ID (INDEX 2.997) under pain.013 message

Notes:

- IXB specifications will be shared separately with RTP Participants participating in the IXB service.

2 INTRODUCTION

2.1 Document Purpose

This document defines the standard product message formats used within the RTP® network for sending and receiving messages between RTP and Participants using the system. The messages described in this document will be implemented as part of RTP Release 3.0, which is currently planned for implementation during Q3 2023. All RTP Participants and Third-Party Service Providers will be expected to support the new message versions and certify their applications are in compliance with the updated message versions prior to the RTP Release 3.0 Implementation Date, which TCH will communicate in 2023.

TCH may update this document for clarity, but it is anticipated that the scope of the changes will remain the same.

Participants should use this document as a reference as they develop their systems to send and receive real-time messages to and from RTP.

It should be noted that in some instances, the terms, descriptions, or usages described in this document differ from terms and definitions used in the ISO 20022 standard. The terms, descriptions, and usages specified for RTP will apply to RTP related messages.

2.2 Scope

This document covers the following:

- The message structure of all messages used in RTP
- The required data types and usage rules of the data fields in these messages

This document does not include message flows for any message as the flows will remain the same as previously communicated. For new message types, flow descriptions have been provided in the “Scope” subsection of each chapter.

2.3 Acronyms

Acronym	Description
BAH	Business Application Header
ET	Eastern Time
ISO	International Standards Organization
TPSP	Third Party Service Provider
UNIFI	Universal Financial Industry Message scheme
XML	Extensible Mark-up Language

2.4 Key Fields

This section introduces key fields, such as Debtor and Creditor, which are used in RTP messages. These key elements are defined and their usage is explained in the context of the business transaction for purposes of RTP messaging. Please note, the nomenclature of the “ISO Elements” below is taken from the ISO 20022 standard. The “RTP Role” below translates the ISO Elements for RTP purposes.

ISO Element	RTP Role	Business Core Usage
Instructing Agent	Participant or TCH	<p>A Participant that initiates a message or instruction into RTP, or TCH when it initiates a system message to a Participant.</p> <p>RTP only utilizes the proprietary identifier (Routing and Transit number) for this element (not the IBAN or BIC).</p> <p>In this document, Instructing Agent is used to identify the Participant that submitted the payment instruction to RTP.</p> <p>The Instructing Agent for the pacs.008 message is the Debtor FI.</p>
Instructed Agent	Member FI or TCH	<p>The Participant that receives and processes a message or instruction from the Instructing Participant or TCH.</p> <p>RTP only utilizes the proprietary identifier for this element (Routing and Transit number).</p> <p>In this document, Instructed Agent is used to identify the Participant that receives the payment instruction or message from TCH.</p> <p>The Instructed Agent for the pacs.008 message is the Creditor FI.</p>
Creditor Account	Same	<p>For a Credit Transfer, the identification of the Creditor FI customer’s account.</p> <p>RTP only supports a proprietary identifier for this element (Account Number provided to Creditor FI customer by the Creditor FI).</p>
Creditor Agent	Creditor FI/Receiving FI	<p>The Creditor FI servicing the account for the Creditor.</p> <p>RTP only supports the proprietary identifier for this element (Routing and Transit number).</p>
Creditor	Receiver/Payee	<p>The party receiving payment.</p>
Ultimate Creditor	Same	<p>A person that is not a party to the RTP credit transfer but that has some connection to the purpose of the transfer and is identified for regulatory, compliance, remittance, or other purposes.</p> <p>The Ultimate Creditor’s name and proprietary account ID are required to be provided in RTP. Additional address information may also be included.</p>

ISO Element	RTP Role	Business Core Usage
Debtor Account	Sender/Payer	For a Credit Transfer, the identification of the Debtor FI customer's account. RTP only supports a proprietary identifier for this element (Account Number provided to Debtor FI customer by the Debtor FI).
Debtor Agent	Debtor FI/Sending FI	The Debtor FI servicing the account for the Debtor. RTP only supports the proprietary identifier for this element (Routing and Transit number).
Debtor	Sender/ Payer	The party sending payment.
Ultimate Debtor		A person that is not a party to the RTP credit transfer but that has some connection to the purpose of the transfer and is identified for regulatory, compliance, remittance, or other purposes. The Ultimate Debtor's name and proprietary account ID are required to be provided in RTP. Additional address information may also be included.
Message Identification	Same	The point to point identification of the payment instruction or response. This reference is assigned by the Instructing Agent to uniquely identify the message. Note that the message identification for a payment instruction is different from the message identification for the corresponding payment instruction response. Where RTP is sending a message from the Instructing Agent to the Instructed Agent the Message Identifier in the message received by RTP from the Instructing Agent is used in the message passed by RTP to the Instructed Agent (note: in a pacs.008 message this would be from the Debtor FI (Instructing Agent) to the Creditor FI (Instructed Agent). The alphabetic and numeric sequences used in the Message Identification do not need to be the same as in the Business Message Identifier (BAH - head.001). Format see chapter 3.1 Reference Numbers (Identification)
Instruction Identification	Same	The Instruction Identifier is assigned by the Instructing Agent to uniquely identify a single Credit Transfer throughout its existence within RTP. The Instruction ID is the unique identifier that is persisted in the transactional database as the primary means of subsequent reference for the Credit Transfer instruction. Whereas the Message Identification uniquely identifies a message transaction (e.g. a pacs.008 message), the Instruction Identification uniquely identifies the instruction within that specific message (in this case the Credit Transfer instruction within the pacs.008 message). In cases where a pacs.008 message can contain multiple payment instructions (for example a bulk payment message), this can become particularly helpful. However, in the case of RTP, each message can only have one instruction. This means each payment transaction will have a unique Message Identification and only one unique Instruction Identification. RTP will use the Instruction ID to perform a check for a duplicate transaction within the duplicate checking period. The Instruction Identification is based on the format below. Format see chapter 3.1
Transaction Identification	Same	The unique identifier, assigned by the first instructing agent to unambiguously identify the transaction that is passed on unchanged throughout the entire interbank chain. For the pacs.008 message in RTP this will carry the Payment Information ID from the Request For Payment message, if the pacs.008 is the result of a Request for Payment. When the pacs.008 does not originate with a pain.013, the Transaction ID must be equal to the Instruction ID.

ISO Element	RTP Role	Business Core Usage
End-to-End Identification	Same	The identifier assigned by the initiating party (i.e. the person or organisation submitting the Credit Transfer), to uniquely identify the transaction. This value should be known by both end-parties involved in the transaction, and is usually the customer assigned reference for the Credit Transfer. If the customer does not provide a reference number, the value "NOREF" should be included.
Clearing System Reference	Same	Identifies the Reconciliation Window in which the Credit Transfer was settled. This value will be set by RTP in any pacs.008, pacs.009 or related pacs.002 message sent by RTP to a Participant. It will represent the Reconciliation Window in which the message was processed/ settled by the System. For example, "001" means Reconciliation Window 1.
Interbank Settlement Date	Same	Identifies the date associated with the Reconciliation Window (Clearing System Reference). This value will be used in RTP (in conjunction with the Clearing System Reference) when a Credit Transfer is allocated to a particular Reconciliation Window.
Charge Bearer	N/A	This field, which is mandatory in the ISO format, specifies which party (or parties) will bear the charges associated with the processing of the Credit Transfer. For RTP the code "SLEV" is being used, which means charges will be based on established "Service Level Agreements" provided in the RTP Rules and Price Schedule.
Clearing System Code	Same	This code is used to specify the code for the Clearing System to be used to settle this Credit Transfer. For RTP the code "TCH" is being used.
Reject / Reason Code	Same	This field contains the reason code for the rejected message. Refer to the appendix for a list of Reason Codes.

2.5 Date / Time Format

All message processing dates are required to be set to Eastern Time (Eastern Standard Time or Eastern Daylight Time, as applicable under the Clean Energy Act of 2005) using ISO 8601 Standard format(24 hour clock) by the message sender. This includes the following fields:

- Creation Date Time
- Interbank Settlement Date (set by RTP)
- Requested Execution Date
- Expiry Date
- Date field within the Business Reference field
- Date field within the Message Identification field
- Date field within the Instruction Identification field
- Date field within the Payment Information Identification field

2.6 Regular Expression (RegEx) description

This chapter describes the usage of Regular Expressions used in the Schemas (XSDs) for element validations. Regular Expression are also defined as pattern in the XSD.

Character element	Description
[a-zA-Z]	Information inside square brackets defines the allowed values. These are seen as defined. Example used here means that only characters from A to Z or a to z are allowed.
[0-9]	Information inside square brackets defines the allowed values. These are seen as defined. Example used here means that only numbers (0 to 9) are allowed
{1,15}	Information inside curly brackets are used to define the minimum and maximum length of the element. Example used here means minimum 1 and maximum 15 characters
(abc)	Parentheses used to define character groups in the exact order
.	The full stop stands for any character
*	The asterisk '*' means repeatedly used (more occurrences)
	Alternation which allows for alternate matches. The character ' ' operates like the boolean OR
\	The back slash '\' is used before a special character to define in the expression. E.g '\+' this position must have a + (plus)

2.6.1 Usage in Currency, Country Code, Phone Number and LEI

Field	RegEx	Description
Currency Codes	[A-Z]{3,3}	Currency Code is 3 characters long and only uppercase characters
Country Code	[A-Z]{2,2}	Country Code is 2 characters long and only uppercase characters
Phone number	\+[0-9]{1,3}-[0-9()+\-]{1,30}	First position fixed value '+' followed up to 3 numeric positions followed by the fixed value '-'. After these values up to 30 numeric characters including the values ()+\ and – can be used Example +1-55-123-4567 or +44-7808652880
LEI (Legal Entity Identifier)	[A-Z0-9]{18,18}[0-9]{2,2}	First 18 characters can be uppercase characters or numbers and the last two characters must be numeric – overall the element is 20 characters long (18+2)

2.6.2 Identifications

Format of Message Identification is MYYYYMMDD**bbbbbbbbbb**BAAAA**nnnnnnnnnn** but only the values in bold are validated

M[0-9]{4}(((01|03|05|07|08|10|12)((0[1-9])|([1-2][0-9])|(3[0-1])))|((04|06|09|11)((0[1-9])|([1-2][0-9])|30))|((02)((0[1-9])|([1-2][0-9]))))[A-Z0-9]{11}.*

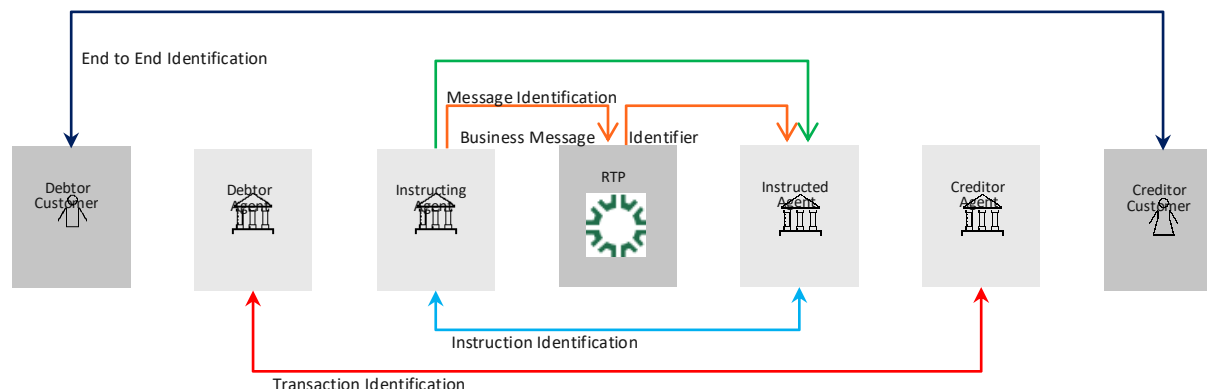
RegEx	Description
M	Fixed value M
[0-9]{4}	Validation for 4 digit of year
(Start for first character group
(Start for second character group
(01 03 05 07 08 10 12)	Character group to identify the month – in this case all the month with 31 days
((0[1-9]) ([1-2][0-9]) (3[0-1]))	Character groups to identify the days for the above defined month as first group is for 01 to 09, second group is for 10 to 19 and 20 to 29 as last group only for 30 and 31
)	End for second character group
	First alternative second group afterwards
(Start for first alternative second character group
(04 06 09 11)	Character group to identify the month – in this case all the month with 30 days
((0[1-9]) ([1-2][0-9]) (3[0-1]))	Character groups to identify the days for the above defined month as first group is for 01 to 09, second group is for 10 to 19 and 20 to 29 as last group only for 30.
)	End for alternative second character group
	Second alternative second group afterwards
(Start for second alternative second character group
(02)	Character group to identify the month – in this case only February
((0[1-9]) ([1-2][0-9]))	Character groups to identify the days for the above defined month as first group is for 01 to 09, second group is for 10 to 19 and 20 to 29.
)	End for second alternative second character group
)	End for first alternative group
[A-Z0-9]{11}	Validation for Participant ID which is 11 characters long. Only upper case and numbers are allowed
.*	Any characters up to the full length of the field

For Business Message Identifier the same logic as above applies except the first character is a fixed value 'B'

Same applies for Identification Identifier with the difference that the first character is not used and therefore not defined.

3 IDENTIFICATION USAGE AND DEFINITIONS

3.1 Reference Numbers (Identification)



Identification Type	Description
Business Message	Business Message Identifier in the Business Application Header (BAH) is used as a point to point reference between Agents and the RTP network.
Message	Message Identification is used as point to point reference between Agents
Instruction	Instruction Identification is used between the Instructing Agent and Instructed Agent and is the relevant reference which the RTP network uses to perform duplicate checking for Credit Transfer (pacs.008).
Transaction	In standalone Credit Transfer (pacs.008) the Transaction Identification matches the Instruction Identification. For Credit Transfers (pacs.008) initiated in response to a Request for Payment (pain.013) the Transaction Identification is used to identify the 'payment information identifier' that is passed on, unchanged, throughout the entire interbank chain.
End to End	End to End Identification is used between Debtor and Creditor (Banks customer) and needs to be passed unchanged through the full message chain If not present the value 'NOREF' should be used.

3.1.1 Business Message Identifier

Used for the point to point reference in the Business Application Header for all Messages.

Format : BYYYYMMDDbbbbbbbbbbXAAAnnnnnnnnnnn

Designation	Description	Length / Format
B	Prefix 'B'	1 alphabet character
YYYYMMDD	File creation date	8 numeric characters
bbbbbbbbbb	Participant Identification	11 alphanumeric characters
X	Message Generation Source: <ul style="list-style-type: none"> 'B' – Message generated by a Participant 'H' – Message generated by RTP 	1 character
AAA	Participant Discretionary Serializer	3 alphanumeric characters

Designation	Description	Length / Format
nnnnnnnnnn	Message serial number	11 numeric characters

3.1.2 Message Identification / Assignment Identification

Reference used between Instructing and Instructed Agent to uniquely identify the message. The RTP network is passing this information on to the Instructed Agent.

Format : MYYYYMMDDbbbbbbbbbbXAAAnnnnnnnnnnn

Designation	Description	Length / Format
M	Prefix 'M'	1 alphabet character
YYYYMMDD	File creation date	8 numeric characters
bbbbbbbbbb	Participant Identification	11 alphanumeric characters
X	Message Generation Source: <ul style="list-style-type: none"> 'B' – Message generated by a Participant 'H' – Message generated by RTP 	1 character
AAA	Participant Discretionary Serializer	3 alphanumeric characters
nnnnnnnnnn	Message serial number	11 numeric characters

3.1.3 Instruction Identification (for duplicate checking)

Instruction Identification is used for uniqueness and for duplicate checking in the Credit Transfer (pacs.008). Payment Information Identification is used for uniqueness and for duplicate checking in the Request for Payment (pain.013). This same ID should also be used in the Message Status Report (pacs.002).

Format: YYYYYMMDDbbbbbbbbbbXAAAAnnnnnnnnnnn

Designation	Description	Length / Format
YYYYMMDD	File creation date	8 numeric characters
bbbbbbbbbb	Participant Identification	11 alphanumeric characters
X	Message Generation Source: <ul style="list-style-type: none"> 'B' – Message generated by a Participant 'H' – Message generated by RTP 	1 character
AAAA	Participant Discretionary Serializer	4 alphanumeric characters
nnnnnnnnnn	Message serial number	11 numeric characters

3.1.4 Transaction Identification

Transaction Identification is a unique identification to unambiguously identify the transaction that is passed on, unchanged, throughout the entire interbank chain. Format:

YYYYMMDDbbbbbbbbbbXAAAAnnnnnnnnnnn

Designation	Description	Length / Format
YYYYMMDD	File creation date	8 numeric characters

Designation	Description	Length / Format
bbbbbbbbbb	Participant Identification	11 alphanumeric characters
X	Message Generation Source: <ul style="list-style-type: none"> 'B' – Message generated by a Participant 'H' – Message generated by RTP 	1 character
AAAA	Participant Discretionary Serializer	4 alphanumeric characters
nnnnnnnnnn	Message serial number	11 numeric characters

3.2 Identification Linkages

3.2.1 Standard Credit Transfer (pacs.008)

Standard Credit Transfer with immediate Response using Message Status Report (pacs.002).

Field pacs.008	Description	Field pacs.002	Description
Msg Id	M10000000543200024122221111	Msg Id	M77700000543200114277774444
Instr.Id	2020042811275300024199111111	OrigMsg Id	M10000000543200024122221111
End2End	NOREF	Orig Instr. Id	2020042811275300024199111111
Tx Id	2020042811241600028199111111	Orig E2E Id	NOREF
UETR	eb6305c9-1f7f-49de-aed0-16487c27b42d	Orig Tx Id	2020042811241600028199111111
		OrgnUETR	eb6305c9-1f7f-49de-aed0-16487c27b42d

3.2.2 Standard Credit Transfer (pacs.008) – Time-out

Standard Credit Transfer with Cancellation for Time-out (camt.056)

Field pacs.008	Description	Field camt.056	Description
Msg Id	M10000000543200024122221111	Msg Id	M77700000543200114277774444
Instr.Id	2020042811275300024199111111	Case Id	M77700000543200114277774444
End2End	NOREF	OrigMsg Id	M10000000543200024122221111
Tx Id	2020042811241600028199111111	Orig Instr. Id	2020042811275300024199111111
UETR	eb6305c9-1f7f-49de-aed0-16487c27b42d	Orig E2E Id	NOREF
		Orig Tx Id	2020042811241600028199111111

OrgnIUETR	eb6305c9-1f7f-49de-aed0-16487c27b42d
------------------	--------------------------------------

3.2.3 Request for Payment (pain.013) followed by Credit Transfer (pacs.008)

Request for Payment with immediate Response using Message Status Report (pacs.002).

Field pain.013	Description	Field pacs.002	Description
Msg Id	M10000000543200024122221111	Msg Id	M77700000543200114277774444
Pmt Inf Id	2020042811275300024199111111	OrigMsg Id	M10000000543200024122221111
End2End	1991111111	Orig Instr. Id	2020042811275300024199111111
UETR	eb6305c9-1f7f-49de-aed0-16487c27b42d	Orig E2E Id	1991111111
		OrgnIUETR	eb6305c9-1f7f-49de-aed0-16487c27b42d

Positive Response resulting in a Credit Transfer (pacs.008) to the Request for Payment

Field pain.013	Description	Field pacs.008	Description
Msg Id	M10000000543200024122221111	Msg Id	M77700000543200114277774444
Pmt Inf Id	2020042811275300024199111111	Instr. Id	20200428121600114874444444
End2End	1991111111	Tx. Id	2020042811275300024199111111
UETR	eb6305c9-1f7f-49de-aed0-16487c27b42d	End2End	1991111111
		UETR	eb6305c9-1f7f-49de-aed0-16487c27b42d

Immediate Response with Message Status Report (pacs.002) is identical to the Standard Credit Transfer.

Negative Response (pain.014) to the Request for Payment

Field pain.013	Description	Field pain.014	Description
Msg Id	M10000000543200024122221111	Msg Id	M77700000543200114277774444
Pmt Inf Id	2020042811275300024199111111	OrigMsg Id	M10000000543200024122221111
End2End	1991111111	Orig Pmt Inf. Id	2020042811275300024199111111
UETR	eb6305c9-1f7f-49de-aed0-16487c27b42d	Orig E2E Id	1991111111
		OrgnIUETR	eb6305c9-1f7f-49de-aed0-16487c27b42d

Immediate Response (pacs.002) to the Negative Response (pain.014)

Field pain.014	Description	Field pacs.002	Description
Msg Id	M77700000543200114277774444	Msg Id	M77700000543200114277779999
OrgMsg Id	M10000000543200024122221111	OrgMsg Id	M77700000543200114277774444
Orig Pmt Inf Id	2020042811275300024199111111	Orig Instr Id	2020042811275300024199111111
Orig E2E Id	1991111111	Orig E2E Id	1991111111
OrgnIUETR	eb6305c9-1f7f-49de-aed0-16487c27b42d	OrgnIUETR	eb6305c9-1f7f-49de-aed0-16487c27b42d

3.2.4 Request for Return of Funds

This function is based on the Standard Credit Transfer

Request for Return of Funds with immediate Response using Message Status Report (pacs.002).

Field camt.056	Description	Field pacs.002	Description
Assignment Id	M20200428131257000261654321	Msg Id	M77700000543200114277774444
Orig Inst. Id	2020042811275300024199111111	OrgMsg Id	M20200428131257000261654321
Orig E2E	1991111111	Orig Instr. Id	2020042811275300024199111111
OrgMsg ID	202004281247700025199111111	Orig E2E Id	1991111111
OrgnIUETR	eb6305c9-1f7f-49de-aed0-16487c27b42d	OrgnIUETR	eb6305c9-1f7f-49de-aed0-16487c27b42d

Positive response resulting in a new Credit Transfer (pacs.008) to the Request for Return of Funds

Field camt.056	Description	Field pacs.008	Description
Assignment Id	M20200428131257000261654321	Msg Id	M77700000543200114277884444
Orig Inst. Id	2020042811275300024199111111	Instr. Id	2020042814113700114177774444
Orig E2E	1991111111	Referred Doc. Info Number	2020042811275300024199111111
OrgnIUETR	eb6305c9-1f7f-49de-aed0-16487c27b42d	End2End	1991111111
		UETR	eb6305c9-1f7f-49de-aed0-16487c27b42d

Note: these are the tags that should be propagated for message identification. There may be other tags expected to be carried forward as well, but are not used for unique identification.

4 MESSAGE FORMAT DESCRIPTION

RTP supports the ISO 20022 message standard also known as the Universal Financial Industry Message scheme (UNIFI) for the communication between its Participants and the System. In cases where the ISO 20022 message format does not cater to certain communications (e.g. Participant Sign-On to the System), proprietary messages based on the ISO 20022 data dictionary have been defined. The specific schemas relating to the supported RTP message formats are available to all Participants in the RTP Scheme and must be adhered to when constructing and processing messages.

RTP messages are made up of Message Blocks comprising a Business Application Header (BAH) and the Business Payload.

The table below shows the list of the RTP messages and their constituent components:

Business Area	Message ID ¹	Message Name	Description
Header	head.001.001.01	BusinessApplicationHeader	Business Application Header containing information on routing and message features
Payments Clearing and Settlement	pacs.008.001.08	FItoFICustomerCreditTransferV08	Credit Transfer message
	pacs.002.001.10	FItoFIPaymentStatusReportV10	Message Status Report of Credit Transfer message
Creditor Payment Activation Request (Request for Payment)	pain.013.001.07	CreditorPaymentActivationRequestV07	Request for Payment
	pacs.002.001.10	FItoFIPaymentStatusReportV10	Message Status Report of Request for Payment
	pain.014.001.07	CreditorPaymentActivationRequestStatusReportV07	Response to Request for Payment
	pacs.002.001.10	FItoFIPaymentStatusReportV10	Message Status Report of Response to Request for Payment
System Time-out Message & Request for Return of Funds	camt.056.001.08	FItoFIPaymentCancellationRequestV08	This message is used for two different business scenarios <ul style="list-style-type: none"> Payment Instruction cancellation after a

¹ The latest ISO 20022 versions were published on 20th February 2019 at the ISO 20022 website.

Business Area	Message ID ¹	Message Name	Description
			time-out at the Creditor FI <ul style="list-style-type: none"> Debtor FI Request for Return of Funds from the Creditor FI (Note: this is an FI to FI investigation message).
	pacs.002.001.10	FIToFIPaymentStatusReportV10	Message Status Report of System Time-out Message or Request for Return of Funds
	camt.029.001.09	ResolutionOfInvestigationV09	Response (reject or accept) to Request for Return of Funds. (Note: this is an FI to FI investigation message).
	pacs.002.001.10	FIToFIPaymentStatusReportV10	Message Status Report of Response to Request for Return of Funds
Stand-alone Remittance Advice	remt.001.001.04	RemittanceAdviceV04	Provide additional remittance information outside of the standard payment message (pacs.008)
	pacs.002.001.10	FIToFIPaymentStatusReportV10	Message Status Report of Stand-alone Remittance Advice.
Request for Information	camt.026.001.07	UnableToApplyV07	Request for Information (RFI) message
	pacs.002.001.10	FIToFIPaymentStatusReportV10	Message Status Report of Request for Information
	camt.028.001.09	AdditionalPaymentInformationV09	Response to Request for Information
	pacs.002.001.10	FIToFIPaymentStatusReportV10	Message Status Report of Response to Request for Information
Payment Acknowledgement	camt.035.001.05	ProprietaryFormatInvestigationV05	Payment Acknowledgement by the Receiver of a Payment
	pacs.002.001.10	FIToFIPaymentStatusReportV10	Message Status Report of Payment Acknowledgement
FI to FI Credit Transfer	pacs.009.001.08	FinancialInstitutionCreditTransferV08	Financial Institution Credit Transfer
	pacs.002.001.10	FIToFIPaymentStatusReportV10	Message Status Report of FI Credit Transfer

Business Area	Message ID ¹	Message Name	Description
Message Status Request	pacs.028.001.03	FIToFIPaymentStatusRequestV03	Request about a status of a Credit Transfer or non-value Business Message
	pacs.002.001.10	FIToFIPaymentStatusReportV10	Message Status Report to Status Request
Token Identification	acmt.022.001.02	IdentificationModificationAdviceV02	Advice to Token update based on Payee Standing Order
	pacs.002.001.10	FIToFIPaymentStatusReportV10	Message Status Report of Token Identification
Sign-on	admn.001.001.01	SignOnRequest	Initiate a Sign-On
	admn.002.001.01	SignOnResponse	Response to a Sign-On Request
Sign-off	admn.003.001.01	SignOffRequest	Initiate a Sign-Off
	admn.004.001.01	SignOffResponse	Response to a Sign-Off Request
Echo	admn.005.001.01	EchoRequest	Connectivity status check (i.e. heartbeat) between the Participant FI and RTP
	admn.006.001.01	EchoResponse	Response to an Echo Request
Participants Unable to Transact	admn.007.001.01	DatabaseReportRequest	Request to list all participants which are unable to transact
	admn.008.001.01	DatabaseAvailabilityReport	Response with all participants which are unable to transact

4.1 Character Set

The UNIFI (ISO 20022) XML messages allow for the full range of global language requirements (UTF-8). The UNICODE character set, encoded in UTF-8, is the official ISO 20022 character set.

RTP does not support a full UTF-8 character set. Please refer to the appendix “TCH RTP Supported Character Set” for a list of supported characters within RTP messages.

4.2 XML Element Format

The detail of how each ISO 20022 standard XML Element is to be used is included within the Message Structure Description. There are two aspects to the XML Element usage. First, there is an occurrence notation (e.g. [1..1]), which defines the rule for the element within the ISO standard. The occurrence indicates whether the element is a mandatory or an optional element with the first character in the notation. A value of '1' indicates the field is mandatory and a '0' indicates it is optional. If an element is conditional, the value of '1' will still appear and an '{or ... or}' notation will be included with the other element that must be present. The second character indicates how many occurrences of the element can be used. This value starts at '1' occurrence of the element and can go up to an unlimited number 'n'. The table below provides examples on how the occurrence notations are used in this document:

Notation	Description
[1..1]	Is a mandatory single Element with one occurrence
[0..1]	Is an optional Element with one occurrence
[0..n]	Is an optional Element with unlimited occurrences

For the adoption to the RTP needs some of the original ISO standard occurrences had to be amended.

In addition to the ISO notations, the Message Structure Description includes a column that defines the usage of the element within RTP. There may be cases where an element that is optional within the ISO standard is mandatory within RTP.

The RTP usage definitions are as follows:

- M – Mandatory, this is a mandatory field in RTP even if it can be optional according to the ISO 20022 definition
- O – Optional, this is an optional field in RTP and is always an optional field according to ISO 20022
- C – Conditional, means that the field usage in RTP is on a conditional basis (as specified within the individual field description) and is always an optional field according to ISO 20022

4.3 ISO Information Detailed Message Field Description

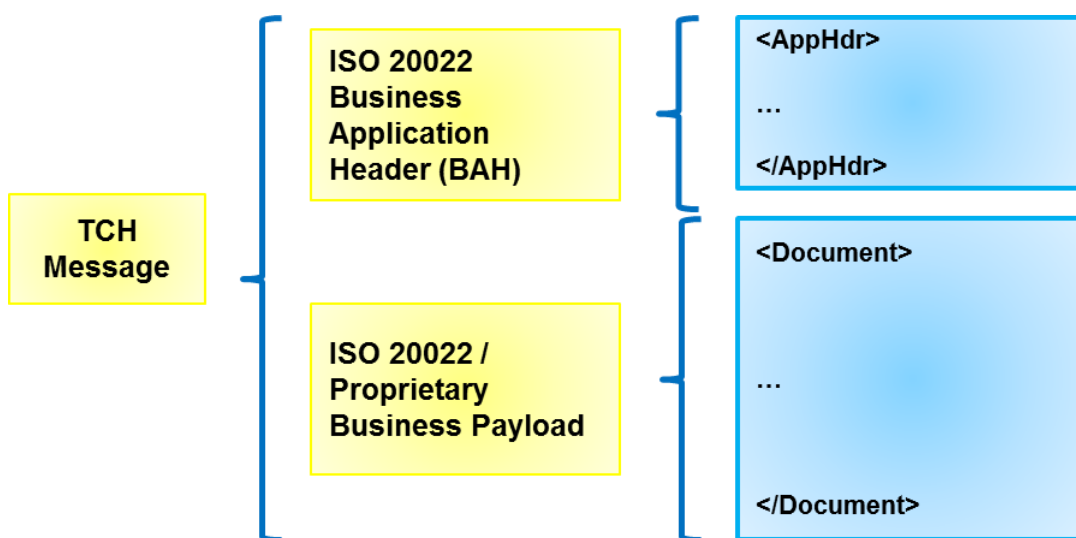
All Detail Message Field Descriptions in this document provide information regarding the usage of each field in each message. In some cases there are two different definitions for a single field, the ISO Description and the Product Usage. The ISO Description always provides the definition of the field according to ISO 20022. The Product Usage definition describes the field's specific usage within RTP. If the ISO Description and the Product Usage are the same, only the ISO Description is provided.

5 OVERALL MESSAGE STRUCTURE

This section of the document provides an overview of the ISO 20022 Message Structure (made up of a Business Application Header and the Business Payload) that is used in RTP messages. The Business Payload of a message may be split into many Message Blocks, which can be further broken down into even smaller Message Blocks with a single, or multiple, occurrence(s) within the message, depending on the purpose of the message. In order to form a valid message structure, these Message Blocks must be arranged in a specific hierarchy.

5.1 Message Structure

The figure below shows the high level message structure of a RTP message.



5.2 Business Application Header

The purpose of the Business Application Header (BAH) is to segregate information important for routing a message (such as the sender or receiver of a message, whether the message is a repeat message, identifying the security signature on the message, determining the message priority, etc.) from the business payload. This allows the pertinent information in the BAH to be made readily available to the business applications without having to open and read the message's business payload.

5.3 Business Payload

The business payload is made up of different Message Blocks including (but not limited to) a group header block and transaction information block. The arrangement of these Message Blocks is done in accordance with the definition of an ISO 20022 message or a proprietary message that

has been designed for the System. For those messages that are ISO 20022 messages, the Message Blocks are built in accordance to the list of approved ISO 20022 message definitions or schemas. For example: the “FI To FI Customer Credit Transfer – pacs.008.001.07” message schema defines the format and content of the message blocks in the pacs.008 message used in the System.

5.4 Sample RTP Message Structure

The table below shows an example of the high level Message Blocks and Hierarchy of the RTP Credit Transfer message used in the System.

FI to FI Customer Credit Transfer	pacs.008.001.08
Block Name	Occurrence
Business Application Header	(1..1)
Group Header	(1..1)
Customer Credit Transfer Transaction Information	(1..1)

The first Message Block in an RTP payment message is always the Business Application Header (BAH). The subsequent Message Blocks, after the BAH, are constructed in accordance with the defined schemas of the different message types (e.g. pacs.008 Group Header, Customer Credit Transfer Transaction Information, etc.).

5.5 Message Schema

The table below shows the ISO Schemas that define the specific RTP messages including the Business Application Header and the Payload Messages. The BAH for RTP messages (head.001.001.01) is defined in further detail later in this document.

Message Description	Namespace Prefix	ISO Schema	Non-ISO Schema
Business Application Header			
Header	head	head.001.001.01	-
Business Messages			
Credit Transfer	ct	pacs.008.001.08	-
Message Status Report of Credit Transfer	ps	pacs.002.001.10 ²	-
Request for Payment	pr	pain.013.001.07	-
Response to Request for Payment	rp	pain.014.001.07	-

² The schema is identical even if it is used in different response situations

Message Description	Namespace Prefix	ISO Schema	Non-ISO Schema
System Time-out Message & Request for Return of Funds	rt	camt.056.001.08	-
Response to Request for Return of Funds	tr	camt.029.001.09	-
Stand-alone Remittance Advice	ar	remt.001.001.04	-
Request for Information	fi	camt.026.001.07	-
Response to Request for Information	if	camt.028.001.09	-
Payment Acknowledgement	ac	camt.035.001.05	-
FI to FI Credit Transfer	c9	pacs.009.001.08	-
Message Status Request	s8	pacs.028.001.03	-
Token Identification	a2	acmt.022.001.02	
System / Administration Messages			
Message Status Report to all non-value Business Messages	ps	pacs.002.001.10 ³	-
Message Reject	mr	admi.002.001.01	-
System Event Notification Message	ne	admi.004.001.02	-
Sign-on Request	sr	-	admn.001.001.01
Sign-on Response	rs	-	admn.002.001.01
Sign-off Request	fr	-	admn.003.001.01
Sign-off Response	rf	-	admn.004.001.01
Echo Request	er	-	admn.005.001.01
Echo Response	re	-	admn.006.001.01
Participant Unable to Transact	ut	-	admn.007.001.01
Participant Unable to Transact Response	tu	-	admn.008.001.01

³ The schema is identical even if it is used in different response situations

6 MESSAGE STRUCTURE SPECIFICATION BUSINESS APPLICATION HEADER

6.1 Business Application Header – head.001.001.01

This chapter provides an overview of the mandatory Business Application Header which includes the following:

- The message structure of the head.001.001.01 message which is used as the mandatory Business Application Header (BAH) in all RTP messages
- The required data types and usage rules of the data fields in the BAH
- Sample layouts of the defined message format

All examples use the Credit Transfer message (pacs.008) as the payload.

The BAH is included in the schema validation which the system performs in order to check each message for the following:

- Structural validation of the message, both the BAH and the attached payload
- Syntax validation of the message, both the BAH and the attached payload
- Authorized Sender – only BAH
- Digital Signature – only BAH

6.1.1 Scope

The purpose of the Business Application Header (BAH) is to separate the routing and message specific information (such as the identity of the Endpoint sending the message and the type of message) from the Payload (message content, such as dollar value). This allows for the business applications receiving the message to retrieve the information required for the business application to send and receive a message without having to parse the message payload. The BAH is mandatory and used in the routing of every RTP message.

Note: The ‘From’ and ‘To’ identifications refer to the physical parties directly participating in that step (‘leg’) of the message chain. In the leg of the transaction between the Instructing Agent (Debtor FI or Third Party Service Provider – TPSP – to the Debtor FI) and the System, the ‘From’ would be the Instructing Agent and the ‘To’ would be the System. For the leg of transaction between the System and the Instructed Agent (Creditor FI or TPSP to the Creditor FI), the ‘From’ would be the System and the ‘To’ would be the Instructed Agent.

6.1.2 Usage of Member ID within the Business Application Header

The Business Application Header identifies the technical endpoints for a specific message leg. In other words, when a participant submits any message to any other participant through RTP, the

Participant ID of the sending participant (or the TPSP ID of the participant’s Third-Party Service Provider) will be the “Member ID” within the “FROM” element, while the Participant ID for RTP will be the “Member ID” within the “TO” element. When RTP forwards that request on to the receiving participant, it will create a new Business Application Header in which the Participant ID for RTP is the “Member ID” within the “FROM” element, while the Participant ID of the Receiving Participant is the “Member ID” within the “TO” element.

When a connection is owned by a Third-Party Service Provider, the endpoint identified as described above will be the 11-digit Third-Party Service Provider ID (TPSP ID).

Figure 1: Member ID usage within BAH (pacs.008 use case)

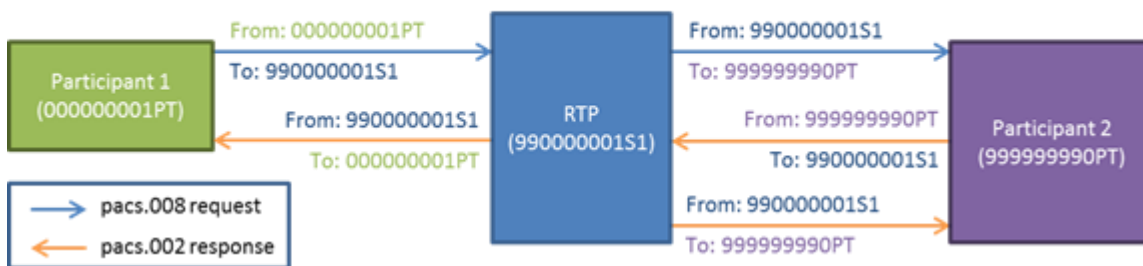
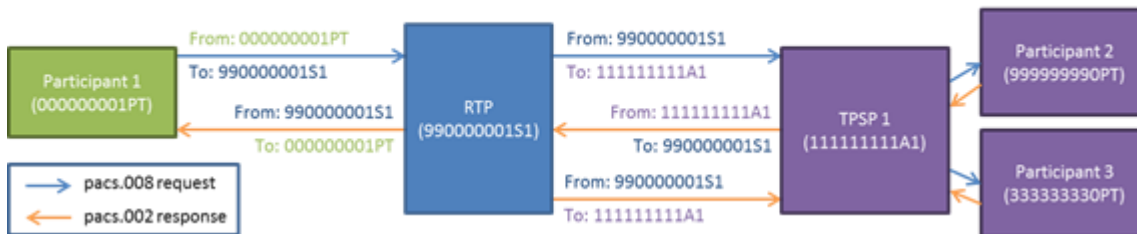


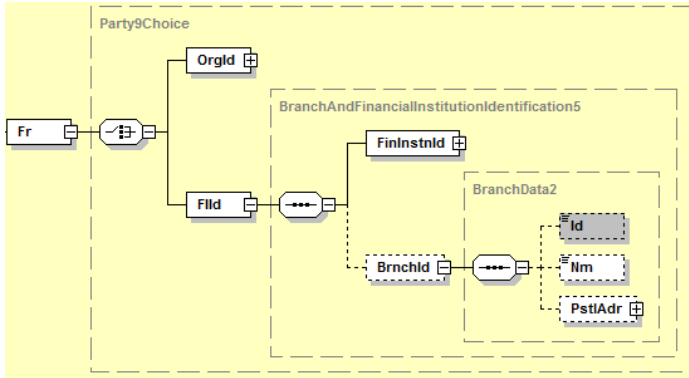
Figure 2: Member ID usage within BAH (Participant via TPSP pacs.008 use case)



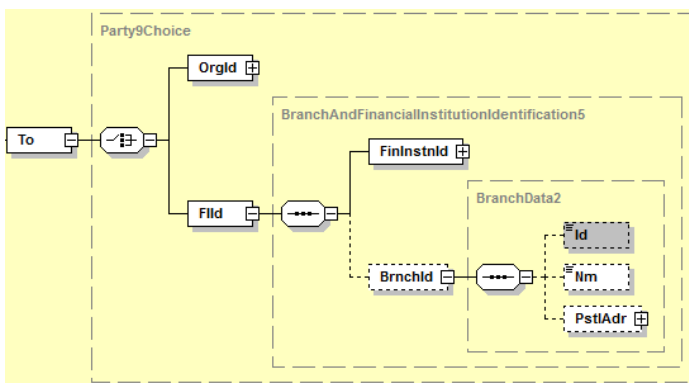
6.1.3 Branch ID usage

Within certain messages, the System uses the Branch ID field in order to ensure that response messages are sent back to the appropriate party via the correct connection. Where this is necessary, the system will populate the element BranchID Identification under the “FROM” element in the outgoing message (RTP to receiving FI). Whenever the receiving party receives an incoming message from RTP where the “FROM” BranchID has been populated, the receiving party must copy the content of this field into the “TO” BranchID of the corresponding response message that it sends back to RTP. If this information is not copied into the correct field, the System will reject the incoming response message with a structural error.

Information from RTP to Participating FI element ‘Branch Id’ in field ‘Id’



Information from Participant FI to RTP element 'Branch Id' in field 'Id'



6.1.4 Message Structure Description

Note: The signature element is provided as a representative illustration. Full details regarding Digital Signatures are provided in the RTP Customer Documentation System Interface Guide.

Index	XML Tag	Element Name	Occurr.	Length	M/O/C
1.0	AppHdr	Business Application Header V01	[1..1]		M
1.2	Fr	From	[1..1]		M
1.46	FIld	Financial Institution Identification	[1..1]		M
1.47	FinInstnId	Financial Institution Identification	[1..1]		M
1.49	ClrSysMmbld	Clearing System Member Identification	[1..1]		M
1.53	Mmbld	Member Identification	[1..1]	11	M
1.72	BrnchId	Branch Identification	[0..1]		C
1.73	Id	Identification	[1..1]	11	M
1.86	To	To	[1..1]		M
1.130	FIld	Financial Institution Identification	[1..1]		M
1.131	FinInstnId	Financial Institution Identification	[1..1]		M
1.133	ClrSysMmbld	Clearing System Member Identification	[1..1]		M
1.137	Mmbld	Member Identification	[1..1]	11	M
1.156	BrnchId	Branch Identification	[0..1]		C
1.157	Id	Identification	[1..1]	11	M
1.170	BizMsgIdr	Business Message Identifier	[1..1]	35	M
1.171	MsgDefIdr	Message Definition Identifier	[1..1]	35	M
1.172	BizSvc	Business Service	[0..1]	35	O
1.173	CreDt	Creation Date	[1..1]	19	M
1.174	CpyDplct	Copy Duplicate	[0..1]	4	O
1.177	Sgntr	Signature	[1..1]		M
1.178	Signature	XML Signature	[1..1]		M
1.180	ds:SignedInfo	Signed Info	[1..1]		M
1.182	ds:CanonicalizationMethod	Canonicalization Method	[1..1]		M
1.183	Algorithm	Algorithm	[required]		
1.185	ds:SignatureMethod	Signature Method	[1..1]		M
1.186	Algorithm	Algorithm	[required]		
1.189	ds:Reference	Reference	[1..1]		M
1.193	ds:Transforms	Transforms	[1..1]		M
1.194	ds:Transform	Transform	[1..1]		M
1.195	Algorithm	Algorithm	[required]		M
1.198	ds:DigestMethod	Digest Method	[1..1]		M
1.199	Algorithm	Algorithm	[required]		M
1.201	ds:DigestValue	Digest Value	[1..1]		M
1.202	ds:SignatureValue	Signature Value	[1..1]		M
1.204	ds:KeyInfo	Key Info	[1..1]		M
1.228	ds:X509Data	X509 Data	[1..1]		M
1.229	{Or	X509IssuerSerial	X509 Issuer Serial	[1..1]	C
1.230	X509IssuerName	X509 Issuer Name	[1..1]		M
1.231	X509SerialNumber	X509 Serial Number	[1..1]		M
1.233	Or}	X509SubjectName	X509 Subject Name	[1..1]	C
1.253	xs:any	XMLSignatures	[1..1]		

6.1.5 Detail Message Field Description

Element	Details
INDEX: 1.0 AppHdr	<p>Name: Business Application Header V01</p> <p>ISO Description: The Business Layer deals with Business Messages. The behaviour of the Business Messages is fully described by the Business Transaction and the structure of the Business Messages is fully described by the Message Definitions and related Message Rules, Rules and Market Practices. All of which are registered in the ISO 20022 Repository.</p> <p>XML Tag: <AppHdr></p> <p>Occurrence: [1..1]</p>
INDEX: 1.2 AppHdr +Fr	<p>Name: From</p> <p>ISO Description: The sending Messaging Endpoint that has created this Business Message for the receiving Messaging Endpoint that will process this Business Message.</p> <p>Product Usage: For identifying the sender of the message. This could be the Participating FI, a Third Party Service Provider (TPSP) on behalf of the Participating FI or RTP.</p> <p>XML Tag: <Fr></p> <p>Occurrence: [1..1]</p>
INDEX: 1.46 AppHdr +Fr ++FIld	<p>Name: Financial Institution Identification</p> <p>ISO Description: Identification of a financial institution.</p> <p>XML Tag: <FIld></p> <p>Occurrence: [1..1]</p>
INDEX: 1.47 AppHdr +Fr ++FIld +++FinInstnId	<p>Name: Financial Institution Identification</p> <p>ISO Description: Unique and unambiguous identification of a financial institution, as assigned under an internationally recognised or proprietary identification scheme.</p> <p>XML Tag: <FinInstnId></p> <p>Occurrence: [1..1]</p>
INDEX: 1.49 AppHdr +Fr ++FIld +++FinInstnId ++++ClrSysMmbld	<p>Name: Clearing System Member Identification</p> <p>ISO Description: Information used to identify a member within a clearing system.</p> <p>XML Tag: <ClrSysMmbld></p> <p>Occurrence: [1..1]</p>
INDEX: 1.53 AppHdr +Fr ++FIld +++FinInstnId	<p>Name: Member Identification</p> <p>ISO Description: Identification of a member of a clearing system.</p> <p>Product Usage: For identifying the sender of the message. This could be the Participating FI, a Third Party Service Provider (TPSP) on behalf of the Participating FI or RTP.</p>

Element	Details
++++ClrSysMmbld +++++Mmbld	<p>XML Tag: <Mmbld></p> <p>Occurrence: [1..1]</p> <p>Format: 11 character Participant Identifier</p> <p>Length: 11</p> <p>Rule(s): Member identification validation: - Must be the registered identification number of the Participating FI, Third Party Service Provider, or RTP - If the 'To' field is the Participant Identifier of RTP, then this field must be a valid Participating FI or Third Party Service Provider</p> <p>Reason Code(s): Reject with Message Status Report (pacs.002) if Participant Identifier number is not supported in RTP database (reason code 'DSOH'). Reject with code '9964' for Sign-on request (admn.001) / Sign-off request (admn.003) in Sign-on response (admn.002) / Sign-off response (admn.004) for failing validation. The RTP Network will reject with code '650' in Administration Advice message (admi.002) for failing validation on these fields and message is ignored for Echo request (admn.005), Admin advice (admi.002), and Message Status Report (pacs.002).</p> <p>Note(s): Further information regarding the definition of Business Messages is provided within chapters 3 and 4.</p> <p>Example: 021200201A1</p>
INDEX: 1.72 AppHdr +Fr ++FIld +++Brnchld	<p>Name: Branch Identification</p> <p>ISO Description: Identifies a specific branch of a financial institution.</p> <p>Product Usage: This element is only populated by RTP to provide routing information about the original sender of the message and must be returned in the corresponding response message under the element 'TO'.</p> <p>XML Tag: <Brnchld></p> <p>Occurrence: [0..1]</p>
INDEX: 1.73 AppHdr +Fr ++FIld +++Brnchld ++++Id	<p>Name: Identification</p> <p>ISO Description: Unique and unambiguous identification of a branch of a financial institution.</p> <p>Product Usage: A value used for processing efficiency purposes, only assigned by RTP.</p> <p>XML Tag: <Id></p> <p>Occurrence: [1..1]</p> <p>Format: 11 character Participant Identifier</p> <p>Length: 11</p> <p>Example: 02120020101</p>
INDEX: 1.86	<p>Name: To</p>

Element	Details
AppHdr +To	<p>ISO Description: The Messaging Endpoint designated by the sending Messaging Endpoint to be the recipient who will ultimately process this Business Message.</p> <p>Product Usage: For identifying the receiver of the message. This could be the Participating FI, a Third Party Service Provider (TPSP) on behalf of the Participating FI or RTP.</p> <p>XML Tag: <To></p> <p>Occurrence: [1..1]</p>
INDEX: 1.130 AppHdr +To ++FIld	<p>Name: Financial Institution Identification</p> <p>ISO Description: Identification of a financial institution.</p> <p>XML Tag: <FIld></p> <p>Occurrence: [1..1]</p>
INDEX: 1.131 AppHdr +To ++FIld +++FinInstnId	<p>Name: Financial Institution Identification</p> <p>ISO Description: Unique and unambiguous identification of a financial institution, as assigned under an internationally recognised or proprietary identification scheme.</p> <p>XML Tag: <FinInstnId></p> <p>Occurrence: [1..1]</p>
INDEX: 1.133 AppHdr +To ++FIld +++FinInstnId ++++ClrSysMmbld	<p>Name: Clearing System Member Identification</p> <p>ISO Description: Information used to identify a member within a clearing system.</p> <p>XML Tag: <ClrSysMmbld></p> <p>Occurrence: [1..1]</p>
INDEX: 1.137 AppHdr +To ++FIld +++FinInstnId ++++ClrSysMmbld +++++Mmbld	<p>Name: Member Identification</p> <p>ISO Description: Identification of a member of a clearing system.</p> <p>Product Usage: For identifying the receiver of the message. This could be the Participating FI, a Third Party Service Provider (TPSP) on behalf of the Participating FI or RTP. In the case of a broadcast System Notification Message sent by RTP, this will be 'OBROADCAST0'.</p> <p>XML Tag: <Mmbld></p> <p>Occurrence: [1..1]</p> <p>Format: 11 character Participant Identifier</p> <p>Length: 11</p> <p>Rule(s): Member identification validation: - Must be the registered identification number of the Participating FI, Third Party Service Provider, or RTP</p>

Element	Details
	<p>- If the 'From Member ID' field is the Participant Identifier of RTP, then this field must be a valid Participating FI or Third Party Service Provider, unless the message is a broadcast System Notification Message (admi.004)</p> <p>Reason Code(s): For all Business Messages The RTP Network will reject with code '650' in Administration Advice message (admi.002) for failing validation. Reject with code '9964' for Sign-on request (admn.001) / Sign-off request (admn.003) in Sign-on response (admn.002) / Sign-off response (admn.004) for failing validation. The RTP Network will reject with code '650' in Administration Advice message (admi.002) for failing validation on this field, within:</p> <ul style="list-style-type: none"> - Echo request (admn.005) - Admin advice (admi.002) - Message Status Report (pacs.002) <p>If these messages are rejected, they are ignored by RTP.</p> <p>Note(s): Further information regarding the definition of Business Messages is provided within chapters 3 and 4.</p> <p>Example: 990000001S1</p>
<p>INDEX: 1.156</p> <p>AppHdr +To ++FIld +++Brnchld</p>	<p>Name: Branch Identification</p> <p>ISO Description: Identifies a specific branch of a financial institution.</p> <p>Product Usage: This is a conditional field for response messages, in the instances when the BranchId in the 'FROM' element of the incoming request from RTP was populated. If this is the case, the content of the BranchId in the 'FROM' element of the original request message must be copied into this field within the outgoing response message. For example, when the BranchId in the 'FROM' element of a pacs.008 is populated in the message received, the responding pacs.002 message sent will include an exact copy of that data in this element.</p> <p>XML Tag: <Brnchld></p> <p>Occurrence: [0..1]</p> <p>Note(s): This element is only used when an incoming request message from RTP has the BranchID within the 'FROM' element populated.</p>
<p>INDEX: 1.157</p> <p>AppHdr +To ++FIld +++Brnchld ++++Id</p>	<p>Name: Identification</p> <p>ISO Description: Unique and unambiguous identification of a branch of a financial institution.</p> <p>Product Usage: This is used to provide the Participant Identifier of the original sender in the response message.</p> <p>XML Tag: <Id></p> <p>Occurrence: [1..1]</p> <p>Format: 11 character Participant Identifier</p> <p>Length: 11</p> <p>Rule(s): Mandatory provision of the original sender in the form of the 11 character Participant Identifier if received in the</p>

Element	Details
	<p>original message from RTP.</p> <p>Reason Code(s): The RTP Network will reject with code '650' in Administration Advice message admi.002 for failing validation on this field.</p> <p>Note(s): This field is mandatory for the sending Participating FI in the corresponding response message if the information under the element Fr/FIld/Brnchld/Id was provided in the originally received message. This received information needs to be copied into this element.</p> <p>Example: 02120020101</p>
<p>INDEX: 1.170</p> <p>AppHdr +BizMsgldr</p>	<p>Name: Business Message Identifier</p> <p>ISO Description: Unambiguously identifies the Business Message to the Messaging Endpoint that has created the Business Message.</p> <p>Product Usage: The end-point to end-point identification of the Business Message for each leg (e.g. Instructing FI to RTP, RTP to Instructed FI). This identifier is located in the BAH. It is assigned by the sender of the message, that is either the Instructing FI (or a Third Party Service Provider for the Instructing FI) or RTP.</p> <p>XML Tag: <BizMsgldr></p> <p>Occurrence: [1..1]</p> <p>Format: Format: BYYYYMMDDbbbbbbbbbbGAAAnnnnnnnnnn</p> <p>Pos. 01-01 – Prefix 'B' Pos. 02-09 - File creation date in format YYYYMMDD Pos. 10-20 - Participant ID (11 characters) Pos. 21-21 - Message generation source ("B" if generated by a TCH FI, "H" generated by RTP) Pos. 22-24 - Discretionary bank field (3 digit alpha numeric that can be used to serialize, identify specific systems, etc.) Pos. 25-35 - Message serial number (can be up to 11 numeric characters)</p> <p>RegEx: B[0-9]{4}(((01 03 05 07 08 10 12)((0[1-9]) ([1-2][0-9]) 3[0-1])) ((04 06 09 11)((0[1-9]) ([1-2][0-9]) 30)) ((02)((0[1-9]) ([1-2][0-9])))))[A-Z0-9]{11}.*</p> <p>Length: 35</p> <p>Rule(s): The Message Identification structure position 01 to 20 is validated for structural alignment according to the format specification.</p> <p>Reason Code(s): In case of structural failure the RTP Network will reject with code '650' in Administration Advice message (admi.002).</p> <p>Note(s): The instructing agent must ensure that Business Message Identification is unique within a calendar day. The alphabetic and numeric sequences need not be the same as in the Message Identification of the payload.</p> <p>Example: B20171112021200201A1BHEA00000000011</p>
<p>INDEX: 1.171</p> <p>AppHdr</p>	<p>Name: Message Definition Identifier</p> <p>ISO Description: Contains the Message Identifier that defines the Business Message.</p>

Element	Details
+MsgDefldr	<p>It must contain a Message Identifier published on the ISO 20022 website.</p> <p>Product Usage: Contains the Message Definition Identifier. There are additional proprietary non-ISO schema identifiers that are used within RTP (e.g. admn messages).</p> <p>XML Tag: <MsgDefldr></p> <p>Occurrence: [1..1]</p> <p>Length: 35</p> <p>Reason Code(s): The RTP Network will reject with code '650' in Administration Advice message (admi.002) if Message Definition Identifier is not valid.</p> <p>Example: pacs.008.001.08</p>
Permitted Codes	
<p>acmt.022.001.02 Token Identification</p> <p>admi.002.001.01 Message Reject (Admin)</p> <p>admi.004.001.02 System Even Notification</p> <p>admn.001.001.01 Sign On Request</p> <p>admn.002.001.01 Sign-On Response</p> <p>admn.003.001.01 Sign-Off Request</p> <p>admn.004.001.01 Sign-Off Response</p> <p>admn.005.001.01 Echo Request</p> <p>admn.006.001.01 Echo Response</p> <p>admn.007.001.01 Participant Unable to Transact</p> <p>admn.008.001.01 Participant Unable to Transact Response</p> <p>camt.026.001.07 Unable to Apply (Request for Information) - V07</p> <p>camt.028.001.09 Additional Payment Information (Response to Request for Information) - V09</p> <p>camt.029.001.09 Resolution of Investigation (Response to Request for Return of Funds) - V09</p> <p>camt.035.001.05 Payment Acknowledgement Receiver - V05</p> <p>camt.056.001.08 Payment Cancellation (Request for Return of Funds or System Time-out) - V08</p> <p>pacs.002.001.10 Message Status Report (Response to Business Messages) - V10</p> <p>pacs.008.001.08 Credit Transfer - V08</p> <p>pacs.009.001.08 FI to FI Credit Transfer - V08</p> <p>pacs.028.001.03 Messge Status Request - V03</p> <p>pain.013.001.07 Creditor Payment Activation Request (Request for Payment) - V07</p>	

Element	Details
	<p>Permitted Codes</p> <p>pain.014.001.07 Creditor Payment Activation Request Status Request (Response to Request for Payment) - V07</p> <p>remt.001.001.04 Stand-alone Remittance Advice V04</p>
<p>INDEX: 1.172</p> <p>AppHdr +BizSvc</p>	<p>Name: Business Service</p> <p>ISO Description: Specifies the business service agreed between the two MessagingEndpoints under which rules this Business Message is exchanged. To be used when there is a choice of processing services or processing service levels. Example: E&I</p> <p>Product Usage: Used to identify any special use or arrangement that applies to the RTP message without having to open and parse the message.</p> <ul style="list-style-type: none"> - If the message is an RTP/Zelle message, then this field should be populated 'ZELLE'. - If the message is the RTP leg of an IXB transfer, then this field should be populated 'IXB'. <p>XML Tag: <BizSvc></p> <p>Occurrence: [0..1]</p> <p>Length: 35</p> <p>Example: ZELLE</p>
<p>INDEX: 1.173</p> <p>AppHdr +CreDt</p>	<p>Name: Creation Date</p> <p>ISO Description: Date and time when this Business Message (header) was created.</p> <p>Product Usage: The Date/Time is determined by the sender.</p> <p>XML Tag: <CreDt></p> <p>Occurrence: [1..1]</p> <p>Length: 19</p> <p>Reason Code(s): The RTP Network will reject with code '650' in Administration Advice message (admi.002) if format is invalid.</p> <p>Note(s): The date is required to be set to Eastern Time (ET).</p> <p>Example: 2017-11-19T14:10:00</p>
<p>INDEX: 1.174</p> <p>AppHdr +CpyDplct</p>	<p>Name: Copy Duplicate</p> <p>ISO Description: Indicates whether the message is a Copy, a Duplicate or a copy of a duplicate of a previously sent ISO 20022 Message.</p> <p>Product Usage: This element has several different purposes.</p> <ul style="list-style-type: none"> - it is used to identify the Repeat Request for Business Messages in the event of a time-out (code DUPL) - it is used where 'DUPL' was present in the original request which this is the response (code DUPL) - it is used as the response to pacs.028 for a copy of the original provided Message Status Report (code COPY) <p>XML Tag: <CpyDplct></p>

Element	Details
	<p>Occurrence: [0..1]</p> <p>Length: 4</p> <p>Rule(s): - Used for Repeat Requests for all Business Messages in the event of a time-out - Used for Message Status Report where 'DUPL' was present in the request</p> <p>Reason Code(s): The RTP Network will reject with code '650' in Administration Advice message (admi.002) if code is invalid.</p> <p>Note(s): Code 'COPY' is only used in conjunction with a Message Status Request (pacs.028) and provided by RTP.</p> <p>Example: DUPL</p> <p>Permitted Codes</p> <p>COPY Copy</p> <p>DUPL Duplicate</p>
<p>INDEX: 1.177</p> <p>AppHdr +Sgntr</p>	<p>Name: Signature</p> <p>ISO Description: Contains the Digital Signature of the Business Entity authorised to sign this Business Message.</p> <p>XML Tag: <Sgntr></p> <p>Occurrence: [1..1]</p> <p>Note(s): The signature element is provided as a representative documentation. Detail information about Digital Signature is provided in the Bank Interface Specification (BIS).</p>
<p>INDEX: 1.178</p> <p>AppHdr +Sgntr ++Signature</p>	<p>Name: XML Signature</p> <p>Product Usage: The XML signature applied to the Business Message The default value will be populated by the signing libraries supporting the W3C standard.</p> <p>XML Tag: <Signature></p> <p>Occurrence: [1..1]</p> <p>Reason Code(s): Reject with code 690 in administration message admi.002 if any element in the Signature is invalid.</p>
<p>INDEX: 1.180</p> <p>AppHdr +Sgntr ++Signature +++ds:SignedInfo</p>	<p>Name: Signed Info</p> <p>Product Usage: Contains the signature itself (i.e. the result of the signing process).</p> <p>XML Tag: <ds:SignedInfo></p> <p>Occurrence: [1..1]</p>
<p>INDEX: 1.182</p> <p>AppHdr +Sgntr ++Signature +++ds:SignedInfo</p>	<p>Name: Canonicalization Method</p> <p>Product Usage: Specifies the algorithm used to canonicalize the SignedInfo element, before it is digested as a part of the signature creation. The default value will be populated by the signing libraries supporting the W3C standard.</p> <p>XML Tag: <ds:CanonicalizationMethod></p>

Element	Details
+++ds:CanonicalizationMethod	Occurrence: [1..1]
INDEX: 1.183	Name: Algorithm XML Tag: <Algorithm>
INDEX: 1.185 AppHdr +Sgntr ++Signature +++ds:SignedInfo ++++ds:SignatureMethod	Name: Signature Method Product Usage: Specifies the algorithm used to transform the canonicalized SignedInfo element into the SignatureValue element. This is a combination of a message digest algorithm and key-dependent algorithm. The default value will be populated by the signing libraries supporting the W3C standard. XML Tag: <ds:SignatureMethod> Occurrence: [1..1]
INDEX: 1.186	Name: Algorithm XML Tag: <Algorithm>
INDEX: 1.189 AppHdr +Sgntr ++Signature +++ds:SignedInfo ++++ds:Reference	Name: Reference Product Usage: Includes the mechanism used for calculating the message digest and the resulting digest value over the original data. XML Tag: <ds:Reference> Occurrence: [1..1]
INDEX: 1.193 AppHdr +Sgntr ++Signature +++ds:SignedInfo ++++ds:Reference ++++ds:Transforms	Name: Transforms Product Usage: Specifies the operations performed before calculating the digest, such as compression, encoding, etc. XML Tag: <ds:Transforms> Occurrence: [1..1]
INDEX: 1.194 AppHdr +Sgntr ++Signature +++ds:SignedInfo ++++ds:Reference ++++ds:Transforms ++++ds:Transform	Name: Transform Product Usage: Specifies the operations performed before calculating the digest, such as compression, encoding, etc. Default value will be populated by the signing libraries supporting W3C standard. XML Tag: <ds:Transform> Occurrence: [1..1]
INDEX: 1.195	XML Tag: <Algorithm>

Element	Details
INDEX: 1.198 AppHdr +Sgntr ++Signature +++ds:SignedInfo ++++ds:Reference ++++ds:DigestMethod	Name: Digest Method Product Usage: Specifies the algorithm used to calculate the message digest. Default value will be populated by the signing libraries supporting W3C standard. XML Tag: <ds:DigestMethod> Occurrence: [1..1]
INDEX: 1.199	XML Tag: <Algorithm>
INDEX: 1.201 AppHdr +Sgntr ++Signature +++ds:SignedInfo ++++ds:Reference ++++ds:DigestValue	Name: Digest Value Product Usage: Contains the message digest of the original message XML Tag: <ds:DigestValue> Occurrence: [1..1] Example: qZk+NkcGgWq6PiVxeFDCbJzQ2J0=
INDEX: 1.202 AppHdr +Sgntr ++Signature +++ds:SignatureValue	Name: Signature Value Product Usage: Contains the Base64 encoded signature result - the signature generated with the parameters specified in the SignatureMethod element - of the SignedInfo element after applying the algorithm specified by the CanonicalizationMethod. XML Tag: <ds:SignatureValue> Occurrence: [1..1] Example:
INDEX: 1.204 AppHdr +Sgntr ++Signature +++ds:KeyInfo	Name: Key Info Product Usage: Indicates a key that can be used to validate the digital signature. This can consist of digital certificates, key names, key agreement algorithms used, etc. Usually in the form of one or more X.509 digital certificates. XML Tag: <ds:KeyInfo> Occurrence: [1..1]
INDEX: 1.228 AppHdr +Sgntr ++Signature +++ds:KeyInfo ++++ds:X509Data	Name: X509 Data Product Usage: An X509 Data element within KeyInfo contains one or more identifiers of keys or X509 certificates (or certificates' identifiers or a revocation list). XML Tag: <ds:X509Data> Occurrence: [1..1]
INDEX: 1.229	

Element	Details
Choice: {Or AppHdr +Sgntr ++Signature +++ds:KeyInfo ++++ds:X509Data ++++X509IssuerSerial	Name: X509 Issuer Serial Product Usage: Indicates the information of the issuer and the serial number XML Tag: <X509IssuerSerial> Occurrence: [1..1]
INDEX: 1.230 AppHdr +Sgntr ++Signature +++ds:KeyInfo ++++ds:X509Data ++++X509IssuerSerial ++++X509IssuerName	Name: X509 Issuer Name Product Usage: Contains the certificate issuer name of the signer of the X.509 certificate. XML Tag: <X509IssuerName> Occurrence: [1..1] Example: Issuer
INDEX: 1.231 AppHdr +Sgntr ++Signature +++ds:KeyInfo ++++ds:X509Data ++++X509IssuerSerial ++++X509SerialNumber	Name: X509 Serial Number Product Usage: Contains the serial number of the X.509 certificate. XML Tag: <X509SerialNumber> Occurrence: [1..1] Example: 001 Frac Digits: 0
INDEX: 1.233 Choice: Or} AppHdr +Sgntr ++Signature +++ds:KeyInfo ++++ds:X509Data ++++X509SubjectName	Name: X509 Subject Name Product Usage: Contains the subject distinguished name of the signer's X.509 certificate. XML Tag: <X509SubjectName> Occurrence: [1..1] Example: Subject of Certificate
INDEX: 1.253 AppHdr +Sgntr ++xs:any	Name: XMLSignatures ISO Description: The XML signatures applied to the BusinessMessage XML Tag: <xs:any> Occurrence: [1..1]

6.1.6 Example

These are examples of the Business Application Header in the XML format used with the payload of a Credit Transfer (pacs.008) and the Message Status Report (pacs.002).

Note: The signature element is only representative and is part of the technical implementation during the on-boarding to the system. Detail information about Digital Signature is provided in the RTP Customer Documentation System Interface Guide.

Example Message Initiating Agent (Debtor FI) to RTP:

```
<Message xmlns="urn:tch">
  <AppHdr>
    <head:Fr xmlns:head="urn:iso:std:iso:2002:tech:xsd:head.001.001.01">
      <head:FIId>
        <head:FinInstnId>
          <head:ClrSysMmbId>
            <head:MmbId>021200201A1</head:MmbId>
          </head:ClrSysMmbId>
        </head:FinInstnId>
      </head:FIId>
    </head:Fr>
    <head:To xmlns:head="urn:iso:std:iso:2002:tech:xsd:head.001.001.01">
      <head:FIId>
        <head:FinInstnId>
          <head:ClrSysMmbId>
            <head:MmbId>990000001S1</head:MmbId>
          </head:ClrSysMmbId>
        </head:FinInstnId>
      </head:FIId>
    </head:To>
    <head: BizMsgIdr
  xmlns:head="urn:iso:std:iso:2002:tech:xsd:head.001.001.01">B20151112021200201A1BHEA000000
  0011</head: BizMsgIdr>
    <head:MsgDefIdr
  xmlns:head="urn:iso:std:iso:2002:tech:xsd:head.001.001.01">pacs.008.001.07</head:MsgDefIdr
  >
    <head:CreDt xmlns:head="urn:iso:std:iso:2002:tech:xsd:head.001.001.01">2015-11-
  12T16:45:00</head:CreDt>
    <head:Sgntr xmlns:head="urn:iso:std:iso:2002:tech:xsd:head.001.001.01">
      <Signature> ...
    </Signature>
    </head:Sgntr>
  </AppHdr>
</Message>
```

Note the following examples do not show the signature information

Example Message RTP to Receiving Agent (Creditor FI):

```
<Message xmlns="urn:tch">
  <AppHdr>
    <head:Fr xmlns:head="urn:iso:std:iso:2002:tech:xsd:head.001.001.01">
      <head:FIId>
        <head:FinInstnId>
          <head:ClrSysMmbId>
            <head:MmbId>990000001S1</head:MmbId>
          </head:ClrSysMmbId>
        </head:FinInstnId>
        <head:BrnchId>
          <head:Id>021200201A1</head:Id>
        </head:BrnchId>
      </head:FIId>
    </head:Fr>
```

```

<head:To xmlns:head="urn:iso:std:iso:20022:tech:xsd:head.001.001.01">
  <head:FIId>
    <head:FinInstnId>
      <head:ClrSysMmbId>
        <head:MmbId>231000001B1</head:MmbId>
      </head:ClrSysMmbId>
    </head:FinInstnId>
  </head:FIId>
</head:To>
<head: BizMsgIdr
xmlns:head="urn:iso:std:iso:20022:tech:xsd:head.001.001.01">B20151112020010001A1BRRR0000000
0002</head: BizMsgIdr>
  <head:MsgDefIdr
xmlns:head="urn:iso:std:iso:20022:tech:xsd:head.001.001.01">pac.008.001.07</head:MsgDefIdr
>
  <head:CreDt xmlns:head="urn:iso:std:iso:20022:tech:xsd:head.001.001.01">2015-11-
12T16:45:10</head:CreDt>
  :
</AppHdr>
</Message>

```

Example Message Sending Agent (Creditor FI) to RTP – response:

```

<Message xmlns="urn:tch">
  <AppHdr>
    <head:Fr xmlns:head="urn:iso:std:iso:20022:tech:xsd:head.001.001.01">
      <head:FIId>
        <head:FinInstnId>
          <head:ClrSysMmbId>
            <head:MmbId>231000001B1</head:MmbId>
          </head:ClrSysMmbId>
        </head:FinInstnId>
      </head:FIId>
    </head:Fr>
    <head:To xmlns:head="urn:iso:std:iso:20022:tech:xsd:head.001.001.01">
      <head:FIId>
        <head:FinInstnId>
          <head:ClrSysMmbId>
            <head:MmbId>990000001S1</head:MmbId>
          </head:ClrSysMmbId>
        </head:FinInstnId>
        <head:BrnchId>
          <head:Id>021200201A1</head:Id>
        </head:BrnchId>
      </head:FIId>
    </head:To>
    <head: BizMsgIdr
xmlns:head="urn:iso:std:iso:20022:tech:xsd:head.001.001.01">B20151112231000001B1BRRR0000000
0077</head: BizMsgIdr>
    <head:MsgDefIdr
xmlns:head="urn:iso:std:iso:20022:tech:xsd:head.001.001.01">pac.002.001.08</head:MsgDefIdr
>
    <head:CreDt xmlns:head="urn:iso:std:iso:20022:tech:xsd:head.001.001.01">2015-11-
12T16:46:00</head:CreDt>
    :
  </AppHdr>
</Message>

```

Example Message RTP to Receiving Agent (Debtor FI) – response:

```

<Message xmlns="urn:tch">
  <AppHdr>
    <head:Fr xmlns:head="urn:iso:std:iso:20022:tech:xsd:head.001.001.01">
      <head:FIId>
        <head:FinInstnId>
          <head:ClrSysMmbId>
            <head:MmbId>990000001S1</head:MmbId>
          </head:ClrSysMmbId>
        </head:FinInstnId>
      </head:FIId>
    </head:Fr>
  </AppHdr>
</Message>

```

```

        </head:ClrSysMmbId>
      </head:FinInstnId>
    </head:FIId>
  </head:Fr>
  <head:To xmlns:head="urn:iso:std:iso:20022:tech:xsd:head.001.001.01">
    <head:FIId>
      <head:FinInstnId>
        <head:ClrSysMmbId>
          <head:MmbId>021200201A1</head:MmbId>
        </head:ClrSysMmbId>
      </head:FinInstnId>
    </head:FIId>
  </head:To>
  <head: BizMsgIdr
xmlns:head="urn:iso:std:iso:20022:tech:xsd:head.001.001.01">B20151112990000001S1BRRR0000000
0077</head: BizMsgIdr>
  <head:MsgDefIdr
xmlns:head="urn:iso:std:iso:20022:tech:xsd:head.001.001.01">pacs.002.001.08</head:MsgDefIdr
>
  <head:CreDt xmlns:head="urn:iso:std:iso:20022:tech:xsd:head.001.001.01">2015-11-
12T16:46:01</head:CreDt>
  :
</AppHdr>
</Message>

```

7 MESSAGE STRUCTURE SPECIFICATION CREDIT TRANSFER

7.1 Credit Transfer Message – pacs.008.001.08

This chapter defines the standard product message formats used by the TCH Real Time Payment system (RTP) for sending and receiving Credit Transfer messages, between the RTP and Participants using the System.

This chapter covers the following:

- The message structure of the pacs.008 message used in RTP
- The required data types and usage rules of the data fields in these messages

7.1.1 Scope

An Instructing Agent will use the “FI To FI Customer Credit Transfer Message” to initiate a Credit Transfer. This message is sent by a Debtor FI to a Creditor FI through RTP.

It should be noted that in circumstances when the Debtor FI needs to send a Repeat Credit Transfer Request (i.e. the Debtor FI does not receive a response to their original pacs.008 message from the System and sends a repeat message to RTP), the message payload is identical to the original pacs.008 message but the Copy Duplicate <CpyDplct> data element is added with a value of “DUPL” in the Business Application Header.

Response to the Credit Transfer (pacs.008) is provided via the Message Status Report (pacs.002). Response can either be Accepted, Accepted w/o Posting, or Rejected.

7.1.2 Message Structure Description

Index	XML Tag	Element Name	Occurr.	Length	M/O/C
	FIToFICstmrCdtTrf	FITo FICustomer Credit Transfer V08	[1..1]		M
1.0	GrpHdr	Group Header	[1..1]		M
1.1	MsgId	Message Identification	[1..1]	35	M
1.2	CreDtTm	Creation Date Time	[1..1]	19	M
1.4	NbOfTx	Number Of Transactions	[1..1]	1	M
1.6	TtlIntrBkSttlmAmt	Total Interbank Settlement Amount	[1..1]	18	M
1.7	Ccy	Currency	[required]	3	M
1.8	IntrBkSttlmDt	Interbank Settlement Date	[1..1]	10	M
1.9	SttlmInf	Settlement Information	[1..1]		M
1.10	SttlmMtd	Settlement Method	[1..1]	4	M
1.30	ClrSys	Clearing System	[1..1]		M
1.31	Cd	Code	[1..1]	3	M
2.0	CdtTrfTxInf	Credit Transfer Transaction Information	[1..1]		M
2.1	PmtId	Payment Identification	[1..1]		M
2.2	InstrId	Instruction Identification	[1..1]	35	M
2.3	EndToEndId	End To End Identification	[1..1]	35	M
2.4	TxId	Transaction Identification	[1..1]	35	M
2.5	UETR	UETR	[0..1]		O
2.6	ClrSysRef	Clearing System Reference	[0..1]	35	O
2.7	PmtTpInf	Payment Type Information	[1..1]		M
2.10	SvcLvl	Service Level	[1..1]		M
2.11	Cd	Code	[1..1]	4	M
2.13	LclInstrm	Local Instrument	[1..1]		M
2.15	Prtry	Proprietary	[1..1]	35	M
2.16	CtgyPurp	Category Purpose	[1..1]		M
2.18	Prtry	Proprietary	[1..1]	35	M
2.19	IntrBkSttlmAmt	Interbank Settlement Amount	[1..1]	18	M
2.20	Ccy	Currency	[required]	3	M
2.36	ChrgBr	Charge Bearer	[1..1]	4	M
2.353	InstgAgt	Instructing Agent	[1..1]		M
2.354	FinInstnId	Financial Institution Identification	[1..1]		M
2.356	ClrSysMmbld	Clearing System Member Identification	[1..1]		M
2.360	Mmbld	Member Identification	[1..1]	9	M
2.417	InstdAgt	Instructed Agent	[1..1]		M
2.418	FinInstnId	Financial Institution Identification	[1..1]		M
2.420	ClrSysMmbld	Clearing System Member Identification	[1..1]		M
2.424	Mmbld	Member Identification	[1..1]	9	M
2.730	UltmtDbtr	Ultimate Debtor	[0..1]		O
2.731	Nm	Name	[1..1]	140	M
2.732	PstlAdr	Postal Address	[0..1]		O
2.741	StrtNm	Street Name	[1..1]	70	M
2.742	BldgNb	Building Number	[0..1]	16	O
2.747	PstCd	Post Code	[1..1]	16	M
2.748	TwnNm	Town Name	[1..1]	35	M
2.751	CtrySubDvsn	Country Sub Division	[1..1]	35	M
2.752	Ctry	Country	[1..1]	2	M
2.753	AdrLine	Address Line	[0..1]	70	O

Index	XML Tag	Element Name	Occurr.	Length	M/O/C
2.754	Id	Identification	[0..1]		C
2.755	{Or OrgId	Organisation Identification	[1..1]		C
2.757	LEI	LEI	[0..1]	20	C
2.758	Othr	Other	[0..5]		O
2.759	Id	Identification	[1..1]	35	M
2.760	SchmeNm	Scheme Name	[0..1]		O
2.762	Prtry	Proprietary	[1..1]	35	M
2.764	Or} PrvtId	Private Identification	[1..1]		C
2.765	DtAndPlcOfBirth	Date And Place Of Birth	[0..1]		O
2.766	BirthDt	Birth Date	[1..1]	10	M
2.768	CityOfBirth	City Of Birth	[1..1]	35	M
2.769	CtryOfBirth	Country Of Birth	[1..1]	2	M
2.770	Othr	Other	[0..5]		O
2.771	Id	Identification	[1..1]	35	M
2.772	SchmeNm	Scheme Name	[0..1]		O
2.774	Prtry	Proprietary	[1..1]	35	M
2.792	InitgPty	Initiating Party	[0..1]		C
2.793	Nm	Name	[1..1]	140	M
2.816	Id	Identification	[0..1]		O
2.817	OrgId	Organisation Identification	[1..1]		M
2.820	Othr	Other	[1..5]		M
2.821	Id	Identification	[1..1]	35	M
2.822	SchmeNm	Scheme Name	[0..1]		O
2.824	Prtry	Proprietary	[1..1]	35	M
2.854	Dbtr	Debtor	[1..1]		M
2.855	Nm	Name	[1..1]	140	M
2.856	PstIAdr	Postal Address	[0..1]		O
2.865	StrtNm	Street Name	[1..1]	70	M
2.866	BldgNb	Building Number	[0..1]	16	O
2.871	PstCd	Post Code	[1..1]	16	M
2.872	TwnNm	Town Name	[1..1]	35	M
2.875	CtrySubDvsn	Country Sub Division	[1..1]	35	M
2.876	Ctry	Country	[1..1]	2	M
2.877	AdrLine	Address Line	[0..1]	70	O
2.878	Id	Identification	[0..1]		C
2.879	{Or OrgId	Organisation Identification	[1..1]		C
2.881	LEI	LEI	[1..1]	20	M
2.888	Or} PrvtId	Private Identification	[1..1]		C
2.889	DtAndPlcOfBirth	Date And Place Of Birth	[1..1]		M
2.890	BirthDt	Birth Date	[1..1]	10	M
2.892	CityOfBirth	City Of Birth	[1..1]	35	M
2.893	CtryOfBirth	Country Of Birth	[1..1]	2	M
2.916	DbtrAcct	Debtor Account	[1..1]		M
2.917	Id	Identification	[1..1]		M
2.919	Othr	Other	[1..1]		M

Index	XML Tag	Element Name	Occurr.	Length	M/O/C
2.920	└─Id	Identification	[1..1]	34	M
2.929	└─Nm	Name	[0..1]	70	O
2.935	└─DbtrAgt	Debtor Agent	[1..1]		M
2.936	└─FinInstnId	Financial Institution Identification	[1..1]		M
2.938	└─ClrSysMmbld	Clearing System Member Identification	[1..1]		M
2.942	└─Mmbld	Member Identification	[1..1]	9	M
2.1018	└─CdtrAgt	Creditor Agent	[1..1]		M
2.1019	└─FinInstnId	Financial Institution Identification	[1..1]		M
2.1021	└─ClrSysMmbld	Clearing System Member Identification	[1..1]		M
2.1025	└─Mmbld	Member Identification	[1..1]	9	M
2.1101	└─Cdtr	Creditor	[1..1]		M
2.1102	└─Nm	Name	[1..1]	140	M
2.1103	└─PstlAdr	Postal Address	[0..1]		O
2.1112	└─StrtNm	Street Name	[1..1]	70	M
2.1113	└─BldgNb	Building Number	[0..1]	16	O
2.1118	└─PstCd	Post Code	[1..1]	16	M
2.1119	└─TwnNm	Town Name	[1..1]	35	M
2.1122	└─CtrySubDvsn	Country Sub Division	[1..1]	35	M
2.1123	└─Ctry	Country	[1..1]	2	M
2.1124	└─AdrLine	Address Line	[0..1]	70	O
2.1125	└─Id	Identification	[0..1]		C
2.1126	{Or └─OrgId	Organisation Identification	[1..1]		C
2.1128	└─LEI	LEI	[1..1]	20	M
2.1135	Or} └─PrvtId	Private Identification	[1..1]		C
2.1136	└─DtAndPlcOfBirth	Date And Place Of Birth	[1..1]		M
2.1137	└─BirthDt	Birth Date	[1..1]	10	M
2.1139	└─CityOfBirth	City Of Birth	[1..1]	35	M
2.1140	└─CtryOfBirth	Country Of Birth	[1..1]	2	M
2.1163	└─CdtrAcct	Creditor Account	[1..1]		M
2.1164	└─Id	Identification	[1..1]		M
2.1166	└─Othr	Other	[1..1]		M
2.1167	└─Id	Identification	[1..1]	34	M
2.1176	└─Nm	Name	[0..1]	70	O
2.1177	└─Prxy	Proxy	[0..1]		O
2.1181	└─Id	Identification	[1..1]	256	M
2.1182	└─UltmtCdtr	Ultimate Creditor	[0..1]		O
2.1183	└─Nm	Name	[1..1]	140	M
2.1184	└─PstlAdr	Postal Address	[0..1]		O
2.1193	└─StrtNm	Street Name	[1..1]	70	M
2.1194	└─BldgNb	Building Number	[0..1]	16	O
2.1199	└─PstCd	Post Code	[1..1]	16	M
2.1200	└─TwnNm	Town Name	[1..1]	35	M
2.1203	└─CtrySubDvsn	Country Sub Division	[1..1]	35	M
2.1204	└─Ctry	Country	[1..1]	2	M
2.1205	└─AdrLine	Address Line	[0..1]	70	O

Index	XML Tag	Element Name	Occurr.	Length	M/O/C
2.1206	Id	Identification	[0..1]		C
2.1207	{Or Orgld	Organisation Identification	[1..1]		C
2.1209	LEI	LEI	[0..1]	20	C
2.1210	Othr	Other	[0..5]		O
2.1211	Id	Identification	[1..1]	35	M
2.1212	SchmeNm	Scheme Name	[0..1]		O
2.1214	Prtry	Proprietary	[1..1]	35	M
2.1216	Or} PrvtId	Private Identification	[1..1]		C
2.1217	DtAndPlcOfBirth	Date And Place Of Birth	[0..1]		O
2.1218	BirthDt	Birth Date	[1..1]	10	M
2.1220	CityOfBirth	City Of Birth	[1..1]	35	M
2.1221	CtryOfBirth	Country Of Birth	[1..1]	2	M
2.1222	Othr	Other	[0..5]		O
2.1223	Id	Identification	[1..1]	35	M
2.1224	SchmeNm	Scheme Name	[0..1]		O
2.1226	Prtry	Proprietary	[1..1]	35	M
2.1244	InstrForCdtrAgt	Instruction For Creditor Agent	[0..5]		C
2.1245	Cd	Code	[1..1]	4	M
2.1246	InstrInf	Instruction Information	[1..1]	140	M
2.1316	RltdRmtInf	Related Remittance Information	[0..1]		C
2.1317	RmtId	Remittance Identification	[0..1]	35	C
2.1318	RmtLctnDtls	Remittance Location Details	[0..1]		O
2.1319	Mtd	Method	[1..1]	4	M
2.1320	ElctrcnAdr	Electronic Address	[0..1]	2048	C
2.1345	RmtInf	Remittance Information	[0..1]		O
2.1346	Ustrd	Unstructured	[0..1]	140	O
2.1347	Strd	Structured	[0..1]		O
2.1348	RfrdDocInf	Referred Document Information	[0..5]		C
2.1349	Tp	Type	[0..1]		O
2.1350	CdOrPrtry	Code Or Proprietary	[1..1]		M
2.1351	{Or Cd	Code	[1..1]	4	C
2.1352	Or} Prtry	Proprietary	[1..1]	35	C
2.1354	Nb	Number	[1..1]	35	M
2.1355	RltdDt	Related Date	[0..1]	10	C
2.1391	RfrdDocAmt	Referred Document Amount	[0..1]		O
2.1394	DscntApldAmt	Discount Applied Amount	[0..2]		O
2.1395	Tp	Type	[1..1]		M
2.1397	Prtry	Proprietary	[1..1]	4	M
2.1398	Amt	Amount	[1..1]	18	M
2.1399	Ccy	Currency	[required]	3	M
2.1423	Invcr	Invoicer	[0..1]		O
2.1447	Id	Identification	[1..1]		M
2.1448	Orgld	Organisation Identification	[1..1]		M
2.1451	Othr	Other	[1..1]		M

Index	XML Tag	Element Name	Occurr.	Length	M/O/C
2.1452	Id	Identification	[1..1]	35	M
2.1485	Invcee	Invoicee	[0..1]		O
2.1509	Id	Identification	[1..1]		M
2.1510	OrgId	Organisation Identification	[1..1]		M
2.1513	Othr	Other	[1..1]		M
2.1514	Id	Identification	[1..1]	35	M

7.1.3 Detail Message Field Description

Element	Details
FIToFICstmrCdtTrf	<p>Name: FITo FICustomer Credit Transfer V08</p> <p>Product Usage: An Instructing Agent will use the FI To FI Customer Credit Transfer Message to initiate a Credit Transfer through RTP. When a Repeat request is sent, the message payload is identical to the original request but with the Copy Duplicate <CpyDplct> data element in the Business Application Header set with a value of 'DUPL'.</p> <p>XML Tag: <FIToFICstmrCdtTrf></p> <p>Occurrence: [1..1]</p>
<p>INDEX: 1.0</p> <p>FIToFICstmrCdtTrf +GrpHdr</p>	<p>Name: Group Header</p> <p>ISO Description: Set of characteristics shared by all individual transactions included in the message.</p> <p>XML Tag: <GrpHdr></p> <p>Occurrence: [1..1]</p>
<p>INDEX: 1.1</p> <p>FIToFICstmrCdtTrf +GrpHdr ++MsgId</p>	<p>Name: Message Identification</p> <p>ISO Description: Point to point reference, as assigned by the instructing party, and sent to the next party in the chain to unambiguously identify the message. Usage: The instructing party has to make sure that MessageIdentification is unique per instructed party for a pre-agreed period.</p> <p>Product Usage: Assigned by the Instructing Agent (Debtor FI) to uniquely identify the pacs.008 message. The Instructing Agent (Debtor FI) is responsible for ensuring the uniqueness of this message identification.</p> <p>XML Tag: <MsgId></p> <p>Occurrence: [1..1]</p> <p>Format: Format: MYYYYMMDDbbbbbbbbbbBAAAnnnnnnnnnnn Pos. 01-01 - Prefix 'M' Pos. 02-09 - File creation date in format YYYYYMMDD Pos. 10-20 - Participant ID (11 characters) Pos. 21-21 - Message generation source ("B" if generated by a Participant) Pos. 22-24 - Discretionary bank field (3 digit alpha numeric that can be used to serialize, identify specific systems, etc.) Pos. 25-35 - Message serial number (can be up to 11 numeric characters)</p> <p>RegEx: M[0-9]{4}(((01 03 05 07 08 10 12)((0[1-9]) ([1-2][0-9]) (3[0-1]))) ((04 06 09 11)((0[1-9]) ([1-2][0-9]) 30)) ((02)((0[1-9]) ([1-2][0-9])))))[A-Z0-9]{11}.*</p> <p>Length: 35</p> <p>Rule(s): The first 20 characters of Message Identification are validated for structural alignment in accordance with the format specification.</p> <p>Reason Code(s): If structural validation fails, the RTP Network will reject with code '650' in Administration Advice message (admi.002).</p> <p>Note(s): The Message Identifier in the message received by RTP passes untouched by RTP to the Instructed Agent (Creditor FI).</p>

Element	Details
INDEX: 1.2 FIToFICstmrCdtTrf +GrpHdr ++CreDtTm	<p>Note that the message identification for a Credit Transfer (pacs.008) is different than the message identification generated for the corresponding Message Status Report (pacs.002) message.</p> <p>Example: M2017111202120020101BTRF00000000011</p> <p>Name: Creation Date Time</p> <p>ISO Description: Date and time at which the message was created.</p> <p>XML Tag: <CreDtTm></p> <p>Occurrence: [1..1]</p> <p>Format: YYYY-MM-DDThh:mm:ss</p> <p>Length: 19</p> <p>Rule(s): Creation Date Time must be within 1 calendar day of the system's date/time.</p> <p>Reason Code(s): Reject with code 'DT04' in pacs.002 for failing validation.</p> <p>Note(s): The Creation Date Time is the creation of the pacs.008 message itself, not when the customer request is initiated through a front-end channel, or the payment is assigned to a batch process, or any other activity that occurs prior to the creation of the pacs.008 message. The date is required to be set to Eastern Time (ET).</p> <p>Example: 2017-11-12T10:05:00</p>
INDEX: 1.4 FIToFICstmrCdtTrf +GrpHdr ++NbOfTxS	<p>Name: Number Of Transactions</p> <p>ISO Description: Number of individual transactions contained in the message.</p> <p>XML Tag: <NbOfTxS></p> <p>Occurrence: [1..1]</p> <p>RegEx: [1]{1,1}</p> <p>Length: 1</p> <p>Rule(s): Expected value is '1'.</p> <p>Reason Code(s): The RTP Network will reject with code '650' in Administration Advice message (admi.002).</p> <p>Note(s): Only one Credit Transfer per pacs.008 message is permitted within RTP.</p> <p>Example: 1</p>
INDEX: 1.6 FIToFICstmrCdtTrf +GrpHdr ++TtlIntrBkSttlmAmt	<p>Name: Total Interbank Settlement Amount</p> <p>ISO Description: Total amount of money moved between the instructing agent and the instructed agent.</p> <p>Product Usage: The total amount that the Debtor FI will be obligated to pay the Creditor FI upon the Creditor FI's acceptance of the payment instructed by the Credit Transfer (pacs.008) message.</p> <p>XML Tag: <TtlIntrBkSttlmAmt></p>

Element	Details
	<p>Occurrence: [1..1]</p> <p>Rule(s): Currency must be a currency that is supported by RTP. Total Interbank Settlement Amount is equal to Interbank Settlement Amount.</p> <p>Reason Code(s): In case for structural validation failure, the RTP Network will reject with code '650' in Administration Advice message (admi.002) if:</p> <ul style="list-style-type: none"> - The value of the request is less than or equal to zero - The value is greater than supported by the ISO definition for the maximum number of digits - The currency code is not valid - The number of decimal digits is greater than the specified number of digits as defined by the ISO4217 definition <p>Reject with code 'AM12' in Message Status Report (pacs.002) if Total Interbank Settlement Amount is not equal to Interbank Settlement Amount.</p> <p>Note(s): The maximum decimal digits allowed are two.</p> <p>Example: 525.25</p> <p>Frac Digits: 2</p> <p>Total Digits: 18</p>
<p>INDEX: 1.7</p>	<p>Name: Currency</p> <p>ISO Description: A code allocated to a currency by a Maintenance Agency under an international identification scheme as described in the latest edition of the international standard ISO 4217 "Codes for the representation of currencies and funds".</p> <p>XML Tag: <Ccy></p> <p>RegEx: [A-Z]{3,3}</p> <p>Length: 3</p> <p>Rule(s): Only Currency supported by RTP is US Dollar</p> <p>Reason Code(s): Reject with code 'AM11' in Message Status Report (pacs.002) if the currency code is not supported by RTP.</p> <p>Example: USD</p> <p>Permitted Codes</p> <p>USD US Dollar</p>
<p>INDEX: 1.8</p> <p>FItoFICstmrCdtTrf +GrpHdr ++IntrBkSttlmDt</p>	<p>Name: Interbank Settlement Date</p> <p>ISO Description: Date on which the amount of money ceases to be available to the agent that owes it and when the amount of money becomes available to the agent to which it is due.</p> <p>Product Usage: Date of the Reconciliation Window within which this transaction is processed and settled.</p>

Element	Details
	<p>If a message starts being processed at the end of a Reconciliation Window and during processing crosses into another Reconciliation Window, the date of the Reconciliation Window during which the process started will be used.</p> <p>XML Tag: <IntrBkSttlmDt></p> <p>Occurrence: [1..1]</p> <p>Format: YYYY-MM-DD</p> <p>Length: 10</p> <p>Rule(s): Must be a valid reconciliation window date. Date must be the date of the Reconciliation Window within which the transaction is processed.</p> <p>Reason Code(s): The RTP Network will reject with code '650' in Administration Advice message (admi.002) in case of invalid date structure</p> <p>Note(s): Interbank Settlement Date must be sent on all Credit Transfer messages sent by participants (as required according to ISO 20022 standards). However, if the provided date in the initial Credit Transfer request message from the Debtor FI is not identical to the actual Reconciliation Window date within the system, RTP will replace the date provided by the Debtor FI with the Reconciliation Window date within the system.</p> <p>In this scenario, the Debtor FI will be made aware of the system Reconciliation Window date when it is returned in the Message Status Report (pacs.002) sent in response to the Credit Transfer request (see TCH RTP Message Status Report – Index 3.289). To reconcile its transaction logs against RTP reports, the Debtor FI should always use the date provided by RTP in the Message Status Report as the date associated with the Reconciliation Window in which the transaction will be included in reports.</p> <p>See Section 7.1.5 for more information.</p> <p>Example: 2017-11-12</p>
<p>INDEX: 1.9</p> <p>FItoFICstmrCdtTrf +GrpHdr ++SttlmInf</p>	<p>Name: Settlement Information</p> <p>ISO Description: Specifies the details on how the settlement of the transaction(s) between the instructing agent and the instructed agent is completed.</p> <p>Product Usage: Specifies the means of settlement for the Credit Transfer. For RTP settlement will always be effectuated by RTP.</p> <p>XML Tag: <SttlmInf></p> <p>Occurrence: [1..1]</p>
<p>INDEX: 1.10</p> <p>FItoFICstmrCdtTrf +GrpHdr ++SttlmInf +++SttlmMtd</p>	<p>Name: Settlement Method</p> <p>ISO Description: Method used to settle the (batch of) payment instructions.</p> <p>Product Usage: Method used to settle the single Credit Transfer processed through RTP.</p> <p>XML Tag: <SttlmMtd></p>

Element	Details
	<p>Occurrence: [1..1] Length: 4 Rule(s): Expected value of 'CLRG' Reason Code(s): The RTP Network will reject with code '650' in Administration Advice message (admi.002) if the Settlement Method is not valid. Note(s): Only 'CLRG' is allowed per scheme definition. Example: CLRG</p>
	<p>Permitted Codes</p> <p>CLRG ClearingSystem</p>
<p>INDEX: 1.30 FIToFICstmrCdtTrf +GrpHdr ++SttlmInf +++ClrSys</p>	<p>Name: Clearing System ISO Description: Specification of a pre-agreed offering between clearing agents or the channel through which the payment instruction is processed. Product Usage: Identification of the Real Time Clearing system for RTP. XML Tag: <ClrSys> Occurrence: [1..1] Note(s): Only Element Code available.</p>
<p>INDEX: 1.31 FIToFICstmrCdtTrf +GrpHdr ++SttlmInf +++ClrSys ++++Cd</p>	<p>Name: Code ISO Description: Infrastructure through which the payment instruction is processed, as published in an external clearing system identification code list. Product Usage: The clearing channel through which the Credit Transfer instruction is processed. XML Tag: <Cd> Occurrence: [1..1] Length: 3 Rule(s): The identifier of the Clearing House is used for Credit Transfer. Reason Code(s): The RTP Network will reject with code '650' in Administration Advice message (admi.002) if the Clearing System Code is not valid. Note(s): Only 'TCH' as clearing code is allowed. Example: TCH</p>
	<p>Permitted Codes</p> <p>TCH US - The Clearing House Real Time Payment System (RTP)</p>
<p>INDEX: 2.0</p>	<p>Name: Credit Transfer Transaction Information</p>

Element	Details
FIToFICstmrCdtTrf +CdtTrfTxInf	<p>ISO Description: Set of elements providing information specific to the individual credit transfer(s).</p> <p>XML Tag: <CdtTrfTxInf></p> <p>Occurrence: [1..1]</p> <p>Note(s): Only one Credit Transfer Information element allowed.</p>
INDEX: 2.1 FIToFICstmrCdtTrf +CdtTrfTxInf ++PmtId	<p>Name: Payment Identification</p> <p>ISO Description: Set of elements used to reference a payment instruction.</p> <p>XML Tag: <PmtId></p> <p>Occurrence: [1..1]</p>
INDEX: 2.2 FIToFICstmrCdtTrf +CdtTrfTxInf ++PmtId +++InstrId	<p>Name: Instruction Identification</p> <p>ISO Description: Unique identification, as assigned by an instructing party for an instructed party, to unambiguously identify the instruction.</p> <p>Usage: The instruction identification is a point to point reference that can be used between the instructing party and the instructed party to refer to the individual instruction. It can be included in several messages related to the instruction.</p> <p>Product Usage: The Instruction Identifier is assigned by the Debtor FI to uniquely identify a single Credit Transfer within a pacs.008 throughout its existence within RTP. The Instruction ID is the unique identifier that is persisted in the transactional database as the primary means of subsequent reference for the Credit Transfer (i.e. for reports and inquiries). The uniqueness of an instruction is determined by the Instruction Identification and is based on the format below. RTP will use the Instruction ID to perform a check for a duplicate transaction within the duplicate checking period and as a reference to the payment instruction in other non-payment messages (i.e. Payment Acknowledgment by Receiver, Request for Information, etc.).</p> <p>XML Tag: <InstrId></p> <p>Occurrence: [1..1]</p> <p>Format: Expected format: YYYYMMDDbbbbbbbbbbBAAAAnnnnnnnnnnn Pos. 01-08 - File creation date in format YYYYMMDD Pos. 09-19 - Participant ID (11 characters) Pos. 20-20 - Message generation source ("B" if generated by a Participant) Pos. 21-24 - Discretionary bank field (4 digit alpha numeric that can be used to serialize, identify specific systems, etc.) Pos. 25-35 - Message serial number (11 numeric characters)</p> <p>RegEx: [0-9]{4}(((01 03 05 07 08 10 12)((0[1-9]) ([1-2][0-9]) (3[0-1])) ((04 06 09 11)((0[1-9]) ([1-2][0-9]) 30)) ((02 0[1-9]) ([1-2][0-9])))))[A-Z0-9]{11}.*</p> <p>Length: 35</p> <p>Rule(s): The first 20 characters of Instruction Identification are validated for structural alignment in accordance with the format specification above.</p>

Element	Details
	<p>Business Validations for the Instruction Identification include:</p> <ul style="list-style-type: none"> - Embedded date (positions 01-08) must be within 1 calendar day of the system date; - Embedded Participant ID (positions 09-19) must be owned by the Instructing Agent. <p>Reason Code(s): Reject with Message Status Report (pacs.002) if:</p> <ul style="list-style-type: none"> - Instruction ID matches a previously completed transaction (DUPL); - Embedded Date is not within 1 calendar day of the system date (DT04); - Participant ID is not owned by the Instructing Agent (DS0H). <p>If structural validation fails, the RTP Network will reject with code '650' in Administration Advice message (admi.002).</p> <p>Example: 2017111202120020101BSTRF00000000011</p>
<p>INDEX: 2.3</p> <p>FIToFICstmrCdtTrf +CdtTrfTxInf ++PmtId +++EndToEndId</p>	<p>Name: End To End Identification</p> <p>ISO Description: Unique identification, as assigned by the initiating party, to unambiguously identify the transaction. This identification is passed on, unchanged, throughout the entire end-to-end chain.</p> <p>Usage: The end-to-end identification can be used for reconciliation or to link tasks relating to the transaction. It can be included in several messages related to the transaction.</p> <p>Usage: In case there are technical limitations to pass on multiple references, the end-to-end identification must be passed on throughout the entire end-to-end chain.</p> <p>Product Usage: The identifier assigned by the initiating party (i.e. the person or organisation submitting the payment instruction), to uniquely identify the transaction. This is the customer reference assigned to the transaction. The E2E identification must be passed on throughout the entire payment chain without being changed.</p> <p>XML Tag: <EndToEndId></p> <p>Occurrence: [1..1]</p> <p>Length: 35</p> <p>Note(s): The end-to-end identification can be used by the end users for reconciliation or to link tasks relating to the transaction. It can be included in several messages related to the transaction. If the user does not provide a reference number for a payment, TCH recommends the use of 'NOREF' within the End To End ID field.</p> <p>Example: E2E-Ref001</p>
<p>INDEX: 2.4</p> <p>FIToFICstmrCdtTrf +CdtTrfTxInf ++PmtId +++TxId</p>	<p>Name: Transaction Identification</p> <p>ISO Description: Unique identification, as assigned by the first instructing agent, to unambiguously identify the transaction that is passed on, unchanged, throughout the entire interbank chain.</p> <p>Usage: The transaction identification can be used for reconciliation, tracking or to link tasks relating to the transaction on the interbank level.</p>

Element	Details
	<p>Usage: The instructing agent has to make sure that the transaction identification is unique for a pre-agreed period.</p> <p>Product Usage: Within RTP, Transaction Identification is used to reference the first message within a transaction event. This is either a Request for Payment (pain.013) or the Credit Transfer (pacs.008) itself. When a Credit Transfer is the result of a previously submitted Request for Payment (pain.013) message, Transaction Identification must carry the Payment Information Identification from the original pain.013. When a Credit Transfer is the first message within a transaction event, the Transaction Identification should be equal to the Instruction Identification of the same message (see field Instruction Identification above).</p> <p>XML Tag: <TxId></p> <p>Occurrence: [1..1]</p> <p>Format: YYYYMMDDbbbbbbbbbbBAAAAnnnnnnnnnn This field is a reference field only, and it should reflect the format of the field that is being referenced.</p> <p>Length: 35</p> <p>Note(s): A Credit Transfer (pacs.008) in response to a Request for Return of Funds (camt.056) is considered a new instruction, thus the Transaction ID must equal the Instruction ID. The Instruction ID of the original Credit Transfer (pacs.008) that is being returned is provided under the element Remittance Information / Structured / Referred Document Information.</p> <p>Example: 201711202120020101BSRFP00000000013</p>
<p>INDEX: 2.5</p> <p>FItoFICstmrCdtTrf +CdtTrfTxInf ++PmtId +++UETR</p>	<p>Name: UETR</p> <p>ISO Description: Universally unique identifier to provide an end-to-end reference of a payment transaction.</p> <p>Product Usage: The UETR identifier is assigned by the instructing agent to link an RTP message to services or arrangements outside of the RTP network. If used, the same UETR should be passed on throughout the entire payment chain without being changed. The ability to include a UETR identifier in an RTP message does not mean that RTP messages can be used as part of a larger end-to-end transfer or as a cover payment. Readers should refer to the RTP Operating Rules to determine permissible uses of RTP messages.</p> <p>XML Tag: <UETR></p> <p>Occurrence: [0..1]</p> <p>Length: 36</p> <p>RegEx: [a-f0-9]{8}-[a-f0-9]{4}-4[a-f0-9]{3}-[89ab][a-f0-9]{3}-[a-f0-9]{12}</p> <p>Example: eb6305c9-1f7f-49de-aed0-16487c27b42d</p>
<p>INDEX: 2.6</p> <p>FItoFICstmrCdtTrf +CdtTrfTxInf ++PmtId +++ClrSysRef</p>	<p>Name: Clearing System Reference</p> <p>ISO Description: Unique reference, as assigned by a clearing system, to unambiguously identify the instruction.</p> <p>Product Usage: Identification of the Reconciliation Window within which this transaction is processed. The identification is supplied by RTP and must not be submitted by the Debtor FI.</p> <p>XML Tag: <ClrSysRef></p> <p>Occurrence: [0..1]</p>

Element	Details
	<p>Length: 35</p> <p>Rule(s): Only present in messages sent by RTP to the Creditor FI.</p> <p>Reason Code(s): The RTP Network will reject with code '650' in Administration Advice message (admi.002) if XML parsing error occurs.</p> <p>Example: 1</p>
<p>INDEX: 2.7</p> <p>FItoFICstmrCdtTrf +CdtTrfTxInf ++PmtTpInf</p>	<p>Name: Payment Type Information</p> <p>ISO Description: Set of elements used to further specify the type of transaction.</p> <p>XML Tag: <PmtTpInf></p> <p>Occurrence: [1..1]</p>
<p>INDEX: 2.10</p> <p>FItoFICstmrCdtTrf +CdtTrfTxInf ++PmtTpInf +++SvcLvl</p>	<p>Name: Service Level</p> <p>ISO Description: Agreement under which or rules under which the transaction should be processed.</p> <p>XML Tag: <SvcLvl></p> <p>Occurrence: [1..1]</p>
<p>INDEX: 2.11</p> <p>FItoFICstmrCdtTrf +CdtTrfTxInf ++PmtTpInf +++SvcLvl ++++Cd</p>	<p>Name: Code</p> <p>ISO Description: Specifies a pre-agreed service or level of service between the parties, as published in an external service level code list.</p> <p>Product Usage: The Service level of the transaction. 'SDVA' means Credit Transfer must be executed with same day value to the creditor (for RTP this will be done in seconds).</p> <p>XML Tag: <Cd></p> <p>Occurrence: [1..1]</p> <p>Length: 4</p> <p>Rule(s): Expected value of 'SDVA'</p> <p>Reason Code(s): The RTP Network will reject with code '650' in Administration Advice message (admi.002) if Service Level Code is not valid.</p> <p>Note(s): This is a mandatory ISO field required for the message type, but not used by RTP.</p> <p>Example: SDVA</p> <p>Permitted Codes</p> <p>SDVA SameDayValue - Payment must be executed with same day value to the creditor.</p>
<p>INDEX: 2.13</p> <p>FItoFICstmrCdtTrf +CdtTrfTxInf ++PmtTpInf</p>	<p>Name: Local Instrument</p> <p>ISO Description: User community specific instrument.</p> <p>Usage: This element is used to specify a local instrument, local clearing option and/or further qualify the service or</p>

Element	Details
+++LclInstrm	<p>service level.</p> <p>Product Usage: Identifies the origination condition of the instruction so as to allow the instructed agent to properly process the transaction.</p> <p>XML Tag: <LclInstrm></p> <p>Occurrence: [1..1]</p> <p>Note(s): Only element Proprietary is allowed.</p>
INDEX: 2.15 FIToFICstmrCdtTrf +CdtTrfTxInf ++PmtTpInf +++LclInstrm ++++Prtry	<p>Name: Proprietary</p> <p>ISO Description: Specifies the local instrument, as a proprietary code.</p> <p>Product Usage: Identifies a special use or arrangement that applies to the RTP message.</p> <p>XML Tag: <Prtry></p> <p>Occurrence: [1..1]</p> <p>Length: 35</p> <p>Example: STANDARD</p> <p>Permitted Codes</p> <p>FOREIGN AFFILIATE Not currently allowed under network operating rules.</p> <p>INTERMEDIARY Payment sent through a Payment Service Provider (domestic). If this code is used, one of “Ultimate Debtor” or “Ultimate Creditor” must be present.</p> <p>IXB Immediate Cross Border RTP Payment. If this code is used, one of “Ultimate Debtor” or “UltimateCreditor” must be present.</p> <p>STANDARD Standard RTP payment</p> <p>ZELLE Instruction originated as a Zelle message.</p>
INDEX: 2.16 FIToFICstmrCdtTrf +CdtTrfTxInf ++PmtTpInf +++CtgyPurp	<p>Name: Category Purpose</p> <p>ISO Description: Specifies the high level purpose of the instruction based on a set of pre-defined categories. Usage: This is used by the initiating party to provide information concerning the processing of the payment. It is likely to trigger special processing by any of the agents involved in the payment chain.</p> <p>XML Tag: <CtgyPurp></p> <p>Occurrence: [1..1]</p> <p>Note(s): Only element Proprietary is allowed</p>
INDEX: 2.18 FIToFICstmrCdtTrf +CdtTrfTxInf ++PmtTpInf	<p>Name: Proprietary</p> <p>ISO Description: Category purpose, in a proprietary form.</p> <p>Product Usage: Identifies the Debtor/Sender as either a business or consumer customer of the Debtor FI.</p>

Element	Details
+++CtgyPurp ++++Prtry	<p>XML Tag: <Prtry></p> <p>Occurrence: [1..1]</p> <p>Length: 35</p> <p>Note(s): This field will assist Member FIs in identifying whether the sender of the message is a consumer or business. Note, intermediated transactions that are submitted by a PSP on behalf of an end customer must carry the entity type of the PSP (which should be 'BUSINESS').</p> <p>Example: CONSUMER</p> <p>Permitted Codes</p> <p>BUSINESS Business initiated payment</p> <p>CONSUMER Consumer initiated payment</p>
INDEX: 2.19 FIToFICstmrCdtTrf +CdtTrfTxInf ++IntrBkSttlmAmt	<p>Name: Interbank Settlement Amount</p> <p>ISO Description: Amount of money moved between the instructing agent and the instructed agent.</p> <p>Product Usage: The total amount that the Debtor FI will be obligated to pay the Creditor FI upon the Creditor FI's acceptance of the payment instructed by the Credit Transfer (pacs.008) message.</p> <p>XML Tag: <IntrBkSttlmAmt></p> <p>Occurrence: [1..1]</p> <p>Rule(s): Transaction is validated against:</p> <ul style="list-style-type: none"> - Payment Type Limit (STL) - Global Transaction Limit (SITL) - Net Position to ensure the transaction amount will not cause the Prefunded Balance to be exceeded <p>Total Interbank Settlement Amount must be equal to Interbank Settlement Amount.</p> <p>Reason Code(s): Reject with Message Status Report (pacs.002) code:</p> <ul style="list-style-type: none"> - 'AM02' if Global Transaction Limit breach (SITL) - 'AM13' if Payment Type Limit breach (STL) - 'AM04' if Net Position breaches Prefunded Balance - 'AM12' if Interbank Settlement Amount does not equal Total Interbank Settlement Amount (Index 1.6) <p>In case for structural validation failure, the RTP Network will reject with code '650' in Administration Advice message (admi.002) if:</p> <ul style="list-style-type: none"> - The value of the Credit Transfer amount is less than or equal to zero - The value of the Credit Transfer is greater than supported by the ISO definition for the maximum number of digits (total 18 digit) - The currency code is not valid (i.e. not USD) - The number of decimal digits is greater than the specified number of digits as defined by

Element	Details
	<p>the ISO4217 definition</p> <p>Note(s): RTP is only supporting USD and the maximum decimal digits allowed are two.</p> <p>Example: 525.25</p> <p>Frac Digits: 2</p> <p>Total Digits: 18</p>
INDEX: 2.20	<p>Name: Currency</p> <p>ISO Description: A code allocated to a currency by a Maintenance Agency under an international identification scheme as described in the latest edition of the international standard ISO 4217 "Codes for the representation of currencies and funds".</p> <p>XML Tag: <Ccy></p> <p>RegEx: [A-Z]{3,3}</p> <p>Length: 3</p> <p>Rule(s): Currency must be a currency that is supported by RTP (US Dollar).</p> <p>Reason Code(s): Reject with code 'AM11' in Message Status Report (pacs.002) if the currency code is not supported by RTP.</p> <p>Example: USD</p> <p>Permitted Codes</p> <p>USD US Dollar</p>
<p>INDEX: 2.36</p> <p>FItoFICstmrCdtTrf +CdtTrfTxInf ++ChrgBr</p>	<p>Name: Charge Bearer</p> <p>ISO Description: Specifies which party/parties will bear the charges associated with the processing of the payment transaction.</p> <p>Product Usage: There will be no charging for RTP payments. Hence, 'SLEV' will be used in this field, which indicates that a service level agreement determines how charges are to be applied. RTP Rules will serve as the agreement and will specify no charging.</p> <p>XML Tag: <ChrgBr></p> <p>Occurrence: [1..1]</p> <p>Length: 4</p> <p>Rule(s): Expected value of 'SLEV'. Others codes are not supported as charges are applied external to RTP.</p> <p>Reason Code(s): The RTP Network will reject with code '650' in Administration Advice message (admi.002) if Charge Bearer Code is not valid.</p> <p>Note(s): This is a mandatory ISO field that will be populated.</p> <p>Example: SLEV</p>

Element	Details
	Permitted Codes
	SLEV FollowingServiceLevel
INDEX: 2.353 FIToFICstmrCdtTrf +CdtTrfTxInf ++InstgAgt	Name: Instructing Agent ISO Description: Agent that instructs the next party in the chain to carry out the (set of) instruction(s). Product Usage: This is the Instructing Agent (Debtor FI) that initiates the Credit Transfer into RTP. Notwithstanding the ISO term 'agent' this entity will always be a Member FI and party to a RTP payment. XML Tag: <InstgAgt> Occurrence: [1..1]
INDEX: 2.354 FIToFICstmrCdtTrf +CdtTrfTxInf ++InstgAgt +++FinInstnId	Name: Financial Institution Identification ISO Description: Unique and unambiguous identification of a financial institution, as assigned under an internationally recognised or proprietary identification scheme. XML Tag: <FinInstnId> Occurrence: [1..1] Note(s): This element will include the Routing and Transit number and is provided in the Member Identification field.
INDEX: 2.356 FIToFICstmrCdtTrf +CdtTrfTxInf ++InstgAgt +++FinInstnId ++++ClrSysMmbld	Name: Clearing System Member Identification ISO Description: Information used to identify a member within a clearing system. XML Tag: <ClrSysMmbld> Occurrence: [1..1]
INDEX: 2.360 FIToFICstmrCdtTrf +CdtTrfTxInf ++InstgAgt +++FinInstnId ++++ClrSysMmbld +++++Mmbld	Name: Member Identification ISO Description: Identification of a member of a clearing system. Product Usage: Identification of the Instructing Participant, which must carry the real Routing and Transit number of the FI (not a token routing number). XML Tag: <Mmbld> Occurrence: [1..1] Format: 9 character Routing and Transit Number (alphabetic characters may be present) Length: 9 Rule(s): Member Identification must be valid 9 character Routing and Transit Number stored in the RTP system. Reason Code(s): The RTP Network will reject with code '650' in Administration Advice message (admi.002) if Routing and Transit number is not supported in RTP database.

Element	Details
	<p>Reject with Message Status Report (pacs.002) if:</p> <ul style="list-style-type: none"> - Routing and Transit number is different than the sending FI, not a valid Participant, or not authorized to send this specific message (reason code 'RC02') - agent is signed off (reason code '9934') - agent is suspended (reason code '9946') - the sender of the message is not authorized to submit message on behalf of this agent (reason code 'DS0H') <p>Note(s): The system validates that the participant indicated in the Instruction ID (positions 09-19) owns the Routing and Transit Number contained within this field.</p> <p>Example: 021200201</p>
<p>INDEX: 2.417 FIToFICstmrCdtTrf +CdtTrfTxInf ++InstdAgt</p>	<p>Name: Instructed Agent</p> <p>ISO Description: Agent that is instructed by the previous party in the chain to carry out the (set of) instruction(s).</p> <p>Product Usage: This is the Instructed Agent (Creditor FI) that receives the Credit Transfer from RTP. Notwithstanding the ISO term 'agent' this entity will always be a Member FI and party to a RTP payment.</p> <p>XML Tag: <InstdAgt></p> <p>Occurrence: [1..1]</p>
<p>INDEX: 2.418 FIToFICstmrCdtTrf +CdtTrfTxInf ++InstdAgt +++FinInstnId</p>	<p>Name: Financial Institution Identification</p> <p>ISO Description: Unique and unambiguous identification of a financial institution, as assigned under an internationally recognised or proprietary identification scheme.</p> <p>XML Tag: <FinInstnId></p> <p>Occurrence: [1..1]</p> <p>Note(s): This element will include the Routing and Transit number and is provided in the Member Identification field.</p>
<p>INDEX: 2.420 FIToFICstmrCdtTrf +CdtTrfTxInf ++InstdAgt +++FinInstnId ++++ClrSysMmbld</p>	<p>Name: Clearing System Member Identification</p> <p>ISO Description: Information used to identify a member within a clearing system.</p> <p>XML Tag: <ClrSysMmbld></p> <p>Occurrence: [1..1]</p>
<p>INDEX: 2.424 FIToFICstmrCdtTrf +CdtTrfTxInf ++InstdAgt +++FinInstnId ++++ClrSysMmbld ++++Mmbld</p>	<p>Name: Member Identification</p> <p>ISO Description: Identification of a member of a clearing system.</p> <p>Product Usage: Identification of the Instructed Participant, which must carry the real Routing and Transit number of the FI (not a token routing number).</p> <p>XML Tag: <Mmbld></p> <p>Occurrence: [1..1]</p>

Element	Details
	<p>Format: 9 character Routing and Transit Number (alphabetic characters may be present)</p> <p>Length: 9</p> <p>Rule(s): Member Identification must be valid 9 character Routing and Transit Number. Note that alphabetic characters may be used.</p> <p>Reason Code(s): Reject with Message Status Report (pacs.002) if :</p> <ul style="list-style-type: none"> - Routing and Transit number is not supported in RTP (reason code 'RC04') - Routing and Transit number is not authorized to receive this specific message (reason code 'AG01') - agent is signed off (reason code '9910') - agent is suspended (reason code '9947') - receiver connection is not available (reason code '9912') <p>Example: 020010001</p>
<p>INDEX: 2.730</p> <p>FIToFICstmrCdtTrf +CdtTrfTxInf ++UltmtDbtr</p>	<p>Name: Ultimate Debtor</p> <p>ISO Description: Ultimate party that owes an amount of money to the (ultimate) creditor.</p> <p>Product Usage: Ultimate Debtor is only permitted when Local Instrument is set to 'INTERMEDIARY' or 'ZELLE' or 'IXB.' See guidelines for these use cases for a description of how Ultimate Debtor is used.</p> <p>XML Tag: <UltmtDbtr></p> <p>Occurrence: [0..1]</p>
<p>INDEX: 2.731</p> <p>FIToFICstmrCdtTrf +CdtTrfTxInf ++UltmtDbtr +++Nm</p>	<p>Name: Name</p> <p>ISO Description: Name by which a party is known and which is usually used to identify that party.</p> <p>XML Tag: <Nm></p> <p>Occurrence: [1..1]</p> <p>Length: 140</p>
<p>INDEX: 2.732</p> <p>FIToFICstmrCdtTrf +CdtTrfTxInf ++UltmtDbtr +++PstlAdr</p>	<p>Name: Postal Address</p> <p>ISO Description: Information that locates and identifies a specific address, as defined by postal services.</p> <p>XML Tag: <PstlAdr></p> <p>Occurrence: [0..1]</p> <p>Rule(s): Only structured Address possible plus one Address Line available. If Postal Address is included, Street Name, Post Code, Town Name, Country Subdivision, and Country are required.</p>
<p>INDEX: 2.741</p> <p>FIToFICstmrCdtTrf +CdtTrfTxInf ++UltmtDbtr</p>	<p>Name: Street Name</p> <p>ISO Description: Name of a street or thoroughfare.</p> <p>XML Tag: <StrtNm></p>

Element	Details
+++PstlAdr ++++StrtNm	<p>Occurrence: [1..1] Length: 70 Example: Ave of the Americas, 17th floor</p>
<p>INDEX: 2.742 FIToFICstmrCdtTrf +CdtTrfTxInf ++UltmtDbtr +++PstlAdr ++++BldgNb</p>	<p>Name: Building Number ISO Description: Number that identifies the position of a building on a street. XML Tag: <BldgNb> Occurrence: [0..1] Length: 16 Note(s): This is an optional field, even when Postal Address is present. Building number, when it is used, should be displayed to the end user directly ahead of Street Name. This field is not to be used as a second address line. Example: 1114</p>
<p>INDEX: 2.747 FIToFICstmrCdtTrf +CdtTrfTxInf ++UltmtDbtr +++PstlAdr ++++PstCd</p>	<p>Name: Post Code ISO Description: Identifier consisting of a group of letters and/or numbers that is added to a postal address to assist the sorting of mail. XML Tag: <PstCd> Occurrence: [1..1] Length: 16 Example: 10016</p>
<p>INDEX: 2.748 FIToFICstmrCdtTrf +CdtTrfTxInf ++UltmtDbtr +++PstlAdr ++++TwnNm</p>	<p>Name: Town Name ISO Description: Name of a built-up area, with defined boundaries, and a local government. XML Tag: <TwnNm> Occurrence: [1..1] Length: 35 Example: New York City</p>
<p>INDEX: 2.751 FIToFICstmrCdtTrf +CdtTrfTxInf ++UltmtDbtr +++PstlAdr ++++CtrySubDvsn</p>	<p>Name: Country Sub Division ISO Description: Identifies a subdivision of a country such as state, region, county. Product Usage: Identifies the state (could include full name or two character state abbreviation). XML Tag: <CtrySubDvsn> Occurrence: [1..1] Length: 35 Example: NY</p>

Element	Details
INDEX: 2.752 FIToFICstmrCdtTrf +CdtTrfTxInf ++UltmtDbtr +++PstlAdr ++++Ctry	Name: Country ISO Description: Nation with its own government. XML Tag: <Ctry> Occurrence: [1..1] RegEx: [A-Z]{2,2} Length: 2 Rule(s): The code is checked against the list of country names obtained from the United Nations (ISO 3166, Alpha-2 code). Example: US
INDEX: 2.753 FIToFICstmrCdtTrf +CdtTrfTxInf ++UltmtDbtr +++PstlAdr ++++AdrLine	Name: Address Line ISO Description: Information that locates and identifies a specific address, as defined by postal services, presented in free format text. XML Tag: <AdrLine> Occurrence: [0..1] Length: 70 Note(s): Only one occurrence of this field is permitted and it is to be used as an 'Address Line 2'. When displaying an address to an end user, this field should appear directly after or below Street Name and directly before or above Town Name. Example: c/o The Clearing House
INDEX: 2.754 FIToFICstmrCdtTrf +CdtTrfTxInf ++UltmtDbtr +++Id	Name: Identification ISO Description: Unique and unambiguous identification of a party. Product Usage: This element is used on a conditional basis for Identification of any other specific identifier of the ultimate sender. XML Tag: <Id> Occurrence: [0..1] Note(s): Either one element PrivateIdentification / Other or OrganisationIdentification / LEI is being used.
INDEX: 2.755 Choice: {Or FIToFICstmrCdtTrf +CdtTrfTxInf ++UltmtDbtr +++Id ++++OrgId	Name: Organisation Identification ISO Description: Unique and unambiguous way to identify an organisation. XML Tag: <OrgId> Occurrence: [1..1]
INDEX: 2.757 FIToFICstmrCdtTrf	Name: LEI ISO Description: Legal entity identification as an alternate identification for a party.

Element	Details
+CdtTrfTxInf ++UltmtDbtr +++Id ++++OrgId ++++LEI	<p>Product Usage: Optional legal entity identifier when the referenced party is not a consumer.</p> <p>XML Tag: <LEI></p> <p>Occurrence: [0..1]</p> <p>RegEx: [A-Z0-9]{18,18}[0-9]{2,2}</p> <p>Length: 20</p> <p>Note(s): LEI has to be present if Othr is not present under Id>>OrgId.</p> <p>Example: 123456789012345000</p>
INDEX: 2.758 FIToFICstmrCdtTrf +CdtTrfTxInf ++UltmtDbtr +++Id ++++OrgId ++++Othr	<p>Name: Other</p> <p>ISO Description: Unique identification of an organisation, as assigned by an institution, using an identification scheme.</p> <p>Product Usage: For an in-bound RTP Credit Transfer that is part of an IXB transfer, the first two instances of identification may be populated to carry over the foreign sending bank's identifier (i.e., BIC) and the foreign sender's account number (i.e., IBAN). IXB specifications will be shared separately with RTP Participants participating in the IXB service.</p> <p>XML Tag: <Othr></p> <p>Occurrence: [0..5]</p>
INDEX: 2.759 FIToFICstmrCdtTrf +CdtTrfTxInf ++UltmtDbtr +++Id ++++OrgId ++++Othr ++++Id	<p>Name: Identification</p> <p>ISO Description: Identification assigned by an institution.</p> <p>Product Usage: This field may be populated with a BIC and IBAN when the message is part of an IXB transfer that was initiated in another payment system.</p> <p>XML Tag: <Id></p> <p>Occurrence: [1..1]</p> <p>Length: 35</p>
INDEX: 2.760 FIToFICstmrCdtTrf +CdtTrfTxInf ++UltmtDbtr +++Id ++++OrgId ++++Othr ++++SchmeNm	<p>Name: Scheme Name</p> <p>ISO Description: Name of the identification scheme.</p> <p>Product Usage: Used for additional information when the message is for IXB use cases.</p> <p>XML Tag: <SchmeNm></p> <p>Occurrence: [0..1]</p>
INDEX: 2.762 FIToFICstmrCdtTrf +CdtTrfTxInf ++UltmtDbtr	<p>Name: Proprietary</p> <p>ISO Description: Name of the identification scheme, in a free text form.</p> <p>Product Usage: When 'Identification' is populated for IXB use cases, then the 'Proprietary' field should be populated to identify the</p>

Element	Details
+++Id ++++OrgId +++++Othr ++++++SchmeNm ++++++Prtry	<p>Identification as either a BIC or an IBAN. The instance of the specified scheme must match the instance used in the Identification field. E.g. If a BIC is specified in the first instance of Identification and an IBAN in the second instance of Identification, then the first instance of Proprietary must be 'BIC' and the second instance of Proprietary must be 'IBAN.' IXB specifications will be shared separately with RTP Participants participating in the IXB service</p> <p>XML Tag: <Prtry> Occurrence: [1..1] Length: 35 Example: BIC</p>
INDEX: 2.764 Choice: Or} FIToFICstmrCdtTrf +CdtTrfTxInf ++UltmtDbtr +++Id ++++PrvtId	<p>Name: Private Identification ISO Description: Unique and unambiguous identification of a person, for example a passport. XML Tag: <PrvtId> Occurrence: [1..1]</p>
INDEX: 2.765 FIToFICstmrCdtTrf +CdtTrfTxInf ++UltmtDbtr +++Id ++++PrvtId +++++DtAndPlcOfBirth	<p>Name: Date And Place Of Birth ISO Description: Date and place of birth of a person. Product Usage: This field may be populated to verify the identification of a person. For RTP payments that are part of an IXB transfer, see IXB documentation. XML Tag: <DtAndPlcOfBirth> Occurrence: [0..1]</p>
INDEX: 2.766 FIToFICstmrCdtTrf +CdtTrfTxInf ++UltmtDbtr +++Id ++++PrvtId +++++DtAndPlcOfBirth ++++++BirthDt	<p>Name: Birth Date ISO Description: Date on which a person is born. XML Tag: <BirthDt> Occurrence: [1..1] Format: YYYY-MM-DD Length: 10</p>
INDEX: 2.768 FIToFICstmrCdtTrf +CdtTrfTxInf ++UltmtDbtr +++Id ++++PrvtId +++++DtAndPlcOfBirth ++++++CityOfBirth	<p>Name: City Of Birth ISO Description: City where a person was born. XML Tag: <CityOfBirth> Occurrence: [1..1] Length: 35 Note(s): This field is a mandatory ISO field if Date and Place of Birth is utilized, but the content of the field will not be validated</p>

Element	Details
INDEX: 2.769 FIToFICstmrCdtTrf +CdtTrfTxInf ++UltmtDbtr +++Id ++++PrvtId +++++DtAndPlcOfBirth +++++CtryOfBirth	by the system. Name: Country Of Birth ISO Description: Country where a person was born. XML Tag: <CtryOfBirth> Occurrence: [1..1] RegEx: [A-Z]{2,2} Length: 2 Rule(s): The code is checked against the list of country names obtained from the United Nations (ISO 3166, Alpha-2 code). Example: BE
INDEX: 2.770 FIToFICstmrCdtTrf +CdtTrfTxInf ++UltmtDbtr +++Id ++++PrvtId +++++Othr	Name: Other ISO Description: Unique identification of a person, as assigned by an institution, using an identification scheme. Product Usage: In the case of a Consumer/Person Ultimate Debtor, the first two instances of Identification may be populated to carry over the Sender of the Credit Transfer (e.g., BIC and IBAN) when Receiving an IXB RTP Credit Transfer from an international party. For RTP payments that are part of an IXB transfer, see IXB documentation. XML Tag: <Othr> Occurrence: [0..5]
INDEX: 2.771 FIToFICstmrCdtTrf +CdtTrfTxInf ++UltmtDbtr +++Id ++++PrvtId +++++Othr +++++Id	Name: Identification ISO Description: Unique and unambiguous identification of a person. Product Usage: Specific Identifier for the Ultimate Debtor within the Debtor's system of record (e.g. username, account name/ID, email address, etc.) XML Tag: <Id> Occurrence: [1..1] Length: 35 Example: MaxMustermann_1705
INDEX: 2.772 FIToFICstmrCdtTrf +CdtTrfTxInf ++UltmtDbtr +++Id ++++PrvtId +++++Othr +++++SchmeNm	Name: Scheme Name ISO Description: Name of the identification scheme. Product Usage: Used for additional information when the message is for IXB use cases. For RTP payments that are part of an IXB transfer, see IXB documentation. XML Tag: <SchmeNm> Occurrence: [0..1]

Element	Details
INDEX: 2.774 FIToFICstmrCdtTrf +CdtTrfTxInf ++UltmtDbtr +++Id ++++PrvtId +++++Othr +++++SchmeNm ++++++Prtry	Name: Proprietary ISO Description: Name of the identification scheme, in a free text form. Product Usage: When 'Identification' is populated for IXB use cases, then the 'Proprietary' field should be populated to identify the Identification as either a BIC or an IBAN. The instance of the specified scheme must match the instance used in the Identification field. E.g. If a BIC is specified in the first instance of Identification and an IBAN in the second instance of Identification, then the first instance of Proprietary must be 'BIC' and the second instance of Proprietary must be 'IBAN.' IXB specifications will be shared separately with RTP Participants participating in the IXB service. XML Tag: <Prtry> Occurrence: [1..1] Length: 35
INDEX: 2.792 FIToFICstmrCdtTrf +CdtTrfTxInf ++InitgPty	Name: Initiating Party ISO Description: Party that initiates the payment. Usage: This can be either the debtor or a party that initiates the credit transfer on behalf of the debtor. Product Usage: Used to provide Message sender identifications for a specific scheme (i.e, Zelle) or for a specific use case. Refer to implementation documentation for more detail. XML Tag: <InitgPty> Occurrence: [0..1] Rule(s): If Local Instrument = ZELLE this element must be present. Reason Code(s): Reject with Message Status Report (pacs.002) if Local instrument = ZELLE and element is not present (reason code '9914')
INDEX: 2.793 FIToFICstmrCdtTrf +CdtTrfTxInf ++InitgPty +++Nm	Name: Name ISO Description: Name by which a party is known and which is usually used to identify that party. Product Usage: Sender Identification for the Zelle usage. XML Tag: <Nm> Occurrence: [1..1] Length: 140
INDEX: 2.816 FIToFICstmrCdtTrf +CdtTrfTxInf ++InitgPty +++Id	Name: Identification ISO Description: Unique and unambiguous identification of a party. Product Usage: This element is used on a conditional basis for Identification of any other specific identifier of the ultimate receiver. XML Tag: <Id> Occurrence: [0..1]
INDEX: 2.817 FIToFICstmrCdtTrf	Name: Organisation Identification ISO Description: Unique and unambiguous way to identify an organisation.

Element	Details
+CdtTrfTxInf ++InitgPty +++Id ++++OrgId	XML Tag: <OrgId> Occurrence: [1..1]
INDEX: 2.820 FIToFICstmrCdtTrf +CdtTrfTxInf ++InitgPty +++Id ++++OrgId ++++Othr	Name: Other ISO Description: Unique identification of an organisation, as assigned by an institution, using an identification scheme. Product Usage: Used to carry the multiple occurrences of unique identifiers for specific use case or scheme (e.g. Zelle Payment ID). XML Tag: <Othr> Occurrence: [1..5]
INDEX: 2.821 FIToFICstmrCdtTrf +CdtTrfTxInf ++InitgPty +++Id ++++OrgId ++++Othr +++++Id	Name: Identification ISO Description: Identification assigned by an institution. Product Usage: Product Usage: Used to carry Zelle related information such as; <ul style="list-style-type: none"> • Zelle Payment identification • Zelle Sender Org identification, • Payment Request identification (if in response to a pain.013) <p>**Please refer to the “Zelle Implementation Guide” for details on specific mapping guidance.</p> XML Tag: <Id> Occurrence: [1..1] Length: 35
INDEX: 2.822 FIToFICstmrCdtTrf +CdtTrfTxInf ++InitgPty +++Id ++++OrgId ++++Othr +++++SchmeNm	Name: Scheme Name ISO Description: Name of the identification scheme. Product Usage: Used to carry multiple occurrences for use case specific identification(s) and code(s) (e.g, Zelle Product Type or Sender type). XML Tag: <SchmeNm> Occurrence: [0..1]
INDEX: 2.824 FIToFICstmrCdtTrf +CdtTrfTxInf	Name: Proprietary ISO Description: Name of the identification scheme, in a free text form.

Element	Details
++InitgPty +++Id ++++OrgId +++++Othr ++++++SchmeNm ++++++Prtry	<p>Product Usage: Used to carry Zelle related information such as:</p> <ul style="list-style-type: none"> . Zelle Product Type Zelle Sender Type <p>**Please refer to the “Zelle Implementation Guide” for details on specific mapping guidance.</p> <p>XML Tag: <Prtry></p> <p>Occurrence: [1..1]</p> <p>Length: 35</p>
INDEX: 2.854 FIToFICstmrCdtTrf +CdtTrfTxInf ++Dbtr	<p>Name: Debtor</p> <p>ISO Description: Party that owes an amount of money to the (ultimate) creditor.</p> <p>Product Usage: Except for special use cases, such as IXB, the party (Sender) that instructs its Financial Institution to pay the Creditor / Receiver. For RTP payments that are part of an IXB transfer, readers should refer to IXB documentation.</p> <p>XML Tag: <Dbtr></p> <p>Occurrence: [1..1]</p>
INDEX: 2.855 FIToFICstmrCdtTrf +CdtTrfTxInf ++Dbtr +++Nm	<p>Name: Name</p> <p>ISO Description: Name by which a party is known and which is usually used to identify that party.</p> <p>Product Usage: The party (Sender) that instructs its Financial Institution to pay the Creditor / Receiver.</p> <p>XML Tag: <Nm></p> <p>Occurrence: [1..1]</p> <p>Length: 140</p> <p>Note(s): Official Name Debtor FI has registered for the account.</p> <p>Example: Debtor Name</p>
INDEX: 2.856 FIToFICstmrCdtTrf +CdtTrfTxInf ++Dbtr +++PstlAdr	<p>Name: Postal Address</p> <p>ISO Description: Information that locates and identifies a specific address, as defined by postal services.</p> <p>XML Tag: <PstlAdr></p> <p>Occurrence: [0..1]</p> <p>Rule(s): Only structured Address possible plus one Address Line available. If Postal Address is included, Street Name, Post Code, Town Name, Country Subdivision, and Country are required.</p>
INDEX: 2.865 FIToFICstmrCdtTrf +CdtTrfTxInf ++Dbtr +++PstlAdr ++++StrtNm	<p>Name: Street Name</p> <p>ISO Description: Name of a street or thoroughfare.</p> <p>XML Tag: <StrtNm></p> <p>Occurrence: [1..1]</p> <p>Length: 70</p>

Element	Details
INDEX: 2.866 FIToFICstmrCdtTrf +CdtTrfTxInf ++Dbtr +++PstlAdr ++++BldgNb	<p>Example: Park Lane</p> <p>Name: Building Number</p> <p>ISO Description: Number that identifies the position of a building on a street.</p> <p>XML Tag: <BldgNb></p> <p>Occurrence: [0..1]</p> <p>Length: 16</p> <p>Note(s): This is an optional field, even when Postal Address is present. Building number, when it is used, should be displayed to the end user directly ahead of Street Name. This field is not to be used as a second address line.</p> <p>Example: 45</p>
INDEX: 2.871 FIToFICstmrCdtTrf +CdtTrfTxInf ++Dbtr +++PstlAdr ++++PstCd	<p>Name: Post Code</p> <p>ISO Description: Identifier consisting of a group of letters and/or numbers that is added to a postal address to assist the sorting of mail.</p> <p>XML Tag: <PstCd></p> <p>Occurrence: [1..1]</p> <p>Length: 16</p> <p>Example: 10016</p>
INDEX: 2.872 FIToFICstmrCdtTrf +CdtTrfTxInf ++Dbtr +++PstlAdr ++++TwnNm	<p>Name: Town Name</p> <p>ISO Description: Name of a built-up area, with defined boundaries, and a local government.</p> <p>XML Tag: <TwnNm></p> <p>Occurrence: [1..1]</p> <p>Length: 35</p> <p>Example: Boston</p>
INDEX: 2.875 FIToFICstmrCdtTrf +CdtTrfTxInf ++Dbtr +++PstlAdr ++++CtrySubDvsn	<p>Name: Country Sub Division</p> <p>ISO Description: Identifies a subdivision of a country such as state, region, county.</p> <p>Product Usage: Identifies the state (could include full name or two character state abbreviation).</p> <p>XML Tag: <CtrySubDvsn></p> <p>Occurrence: [1..1]</p> <p>Length: 35</p> <p>Example: Massachusetts</p>
INDEX: 2.876 FIToFICstmrCdtTrf	<p>Name: Country</p> <p>ISO Description: Nation with its own government.</p>

Element	Details
+CdtTrfTxInf ++Dbtr +++PstlAdr ++++Ctry	<p>XML Tag: <Ctry></p> <p>Occurrence: [1..1]</p> <p>RegEx: [A-Z]{2,2}</p> <p>Length: 2</p> <p>Rule(s): The code is checked against the list of country names obtained from the United Nations (ISO 3166, Alpha-2 code).</p> <p>Example: US</p>
INDEX: 2.877 FIToFICstmrCdtTrf +CdtTrfTxInf ++Dbtr +++PstlAdr ++++AdrLine	<p>Name: Address Line</p> <p>ISO Description: Information that locates and identifies a specific address, as defined by postal services, presented in free format text.</p> <p>XML Tag: <AdrLine></p> <p>Occurrence: [0..1]</p> <p>Length: 70</p> <p>Note(s): Only one occurrence of this field is permitted and it is to be used as an 'Address Line 2'. When displaying an address to an end user, this field should appear directly after or below Street Name and directly before or above Town Name.</p> <p>Example: c/o The Clearing House</p>
INDEX: 2.878 FIToFICstmrCdtTrf +CdtTrfTxInf ++Dbtr +++Id	<p>Name: Identification</p> <p>ISO Description: Unique and unambiguous identification of a party.</p> <p>Product Usage: This element is used on a conditional basis for Identification of any other specific identifier of the sender.</p> <p>XML Tag: <Id></p> <p>Occurrence: [0..1]</p> <p>Note(s): Either one element PrivateIdentification / Other or OrganisationIdentification / LEI is being used.</p>
INDEX: 2.879 Choice: {Or FIToFICstmrCdtTrf +CdtTrfTxInf ++Dbtr +++Id ++++OrgId	<p>Name: Organisation Identification</p> <p>ISO Description: Unique and unambiguous way to identify an organisation.</p> <p>XML Tag: <OrgId></p> <p>Occurrence: [1..1]</p> <p>Rule(s): Either LEI or Other must be present</p> <p>Reason Code(s): Either CH21 or CH17</p> <p>Note(s): Either LEI or Other Identification must be present</p>
INDEX: 2.881 FIToFICstmrCdtTrf +CdtTrfTxInf ++Dbtr	<p>Name: LEI</p> <p>ISO Description: Legal entity identification as an alternate identification for a party.</p> <p>Product Usage: Optional legal entity identifier when the referenced party is not a consumer.</p>

Element	Details
+++Id ++++OrgId +++++LEI	<p>XML Tag: <LEI></p> <p>Occurrence: [1..1]</p> <p>RegEx: [A-Z0-9]{18,18}[0-9]{2,2}</p> <p>Length: 20</p> <p>Example: 123456789012345000</p>
<p>INDEX: 2.888</p> <p>Choice: Or}</p> <p>FItoFICstmrCdtTrf +CdtTrfTxInf ++Dbtr +++Id ++++PrvtId</p>	<p>Name: Private Identification</p> <p>ISO Description: Unique and unambiguous identification of a person, for example a passport.</p> <p>XML Tag: <PrvtId></p> <p>Occurrence: [1..1]</p>
<p>INDEX: 2.889</p> <p>FItoFICstmrCdtTrf +CdtTrfTxInf ++Dbtr +++Id ++++PrvtId +++++DtAndPlcOfBirth</p>	<p>Name: Date And Place Of Birth</p> <p>ISO Description: Date and place of birth of a person.</p> <p>XML Tag: <DtAndPlcOfBirth></p> <p>Occurrence: [1..1]</p>
<p>INDEX: 2.890</p> <p>FItoFICstmrCdtTrf +CdtTrfTxInf ++Dbtr +++Id ++++PrvtId +++++DtAndPlcOfBirth +++++BirthDt</p>	<p>Name: Birth Date</p> <p>ISO Description: Date on which a person is born.</p> <p>XML Tag: <BirthDt></p> <p>Occurrence: [1..1]</p> <p>Format: YYYY-MM-DD</p> <p>Length: 10</p> <p>Example: 1969-06-28</p>
<p>INDEX: 2.892</p> <p>FItoFICstmrCdtTrf +CdtTrfTxInf ++Dbtr +++Id ++++PrvtId +++++DtAndPlcOfBirth</p>	<p>Name: City Of Birth</p> <p>ISO Description: City where a person was born.</p> <p>XML Tag: <CityOfBirth></p> <p>Occurrence: [1..1]</p> <p>Length: 35</p> <p>Note(s): This field is a mandatory ISO field if Date and Place of Birth is utilized, but the content of the field will not be validated</p>

Element	Details
+++++CityOfBirth	by the system. Example: Birth City
INDEX: 2.893 FIToFICstmrCdtTrf +CdtTrfTxInf ++Dbtr +++Id ++++PrvtId ++++DtAndPlcOfBirth +++++CtryOfBirth	Name: Country Of Birth ISO Description: Country where a person was born. XML Tag: <CtryOfBirth> Occurrence: [1..1] RegEx: [A-Z]{2,2} Length: 2 Rule(s): The code is checked against the list of country names obtained from the United Nations (ISO 3166, Alpha-2 code). Example: US
INDEX: 2.916 FIToFICstmrCdtTrf +CdtTrfTxInf ++DbtrAcct	Name: Debtor Account ISO Description: Unambiguous identification of the account of the debtor to which a debit entry will be made as a result of the transaction. XML Tag: <DbtrAcct> Occurrence: [1..1]
INDEX: 2.917 FIToFICstmrCdtTrf +CdtTrfTxInf ++DbtrAcct +++Id	Name: Identification ISO Description: Unique and unambiguous identification for the account between the account owner and the account servicer. XML Tag: <Id> Occurrence: [1..1]
INDEX: 2.919 FIToFICstmrCdtTrf +CdtTrfTxInf ++DbtrAcct +++Id ++++Othr	Name: Other ISO Description: Unique identification of an account, as assigned by the account servicer, using an identification scheme. Product Usage: Unique identification of an account for Debtor Customer, as assigned by the Debtor FI. XML Tag: <Othr> Occurrence: [1..1]
INDEX: 2.920 FIToFICstmrCdtTrf +CdtTrfTxInf ++DbtrAcct +++Id ++++Othr +++++Id	Name: Identification ISO Description: Identification assigned by an institution. Product Usage: Identification of the account, this could be a tokenised account number or an account number in the clear. Identification is limited to 34 characters which may be alphanumeric (A-Z, a-z, 0-9), and include space and hyphen/minus (-). Note that Identification cannot start or end with a space or minus, and consecutive spaces or minuses are not allowed. XML Tag: <Id> Occurrence: [1..1]

Element	Details
INDEX: 2.929 FIToFICstmrCdtTrf +CdtTrfTxInf ++DbtrAcct +++Nm	<p>Length: 34</p> <p>Example: 11000179512199000</p> <p>Name: Name</p> <p>ISO Description: Name of the account, as assigned by the account servicing institution, in agreement with the account owner in order to provide an additional means of identification of the account.</p> <p>Usage: The account name is different from the account owner name. The account name is used in certain user communities to provide a means of identifying the account, in addition to the account owner's identity and the account number.</p> <p>Product Usage: Name by which the debtor is known to the creditor.</p> <p>XML Tag: <Nm></p> <p>Occurrence: [0..1]</p> <p>Length: 70</p>
INDEX: 2.935 FIToFICstmrCdtTrf +CdtTrfTxInf ++DbtrAgt	<p>Name: Debtor Agent</p> <p>ISO Description: Financial institution servicing an account for the debtor.</p> <p>Product Usage: This is the Debtor FI that holds the Debtor's account that is used to make the payment. Notwithstanding the ISO term 'agent' this entity will always be a Participant and party to a RTP payment.</p> <p>XML Tag: <DbtrAgt></p> <p>Occurrence: [1..1]</p>
INDEX: 2.936 FIToFICstmrCdtTrf +CdtTrfTxInf ++DbtrAgt +++FinInstnId	<p>Name: Financial Institution Identification</p> <p>ISO Description: Unique and unambiguous identification of a financial institution, as assigned under an internationally recognised or proprietary identification scheme.</p> <p>XML Tag: <FinInstnId></p> <p>Occurrence: [1..1]</p> <p>Note(s): This element will include the Routing and Transit number as provided in the Member Identification field.</p>
INDEX: 2.938 FIToFICstmrCdtTrf +CdtTrfTxInf ++DbtrAgt +++FinInstnId ++++ClrSysMmbld	<p>Name: Clearing System Member Identification</p> <p>ISO Description: Information used to identify a member within a clearing system.</p> <p>XML Tag: <ClrSysMmbld></p> <p>Occurrence: [1..1]</p>
INDEX: 2.942	<p>Name: Member Identification</p>

Element	Details
FIToFICstmrCdtTrf +CdtTrfTxInf ++DbtrAgt +++FinInstnId ++++ClrSysMmbld +++++Mmbld	<p>ISO Description: Identification of a member of a clearing system.</p> <p>Product Usage: Routing and Transit Number that belongs to the Debtor FI. This may also be a token routing number, when a token is present for the Debtor.</p> <p>XML Tag: <Mmbld></p> <p>Occurrence: [1..1]</p> <p>Format: 9 character Routing and Transit Number (alphabetic characters may be present)</p> <p>Length: 9</p> <p>Rule(s): Member Identification must be valid 9 character Routing and Transit Number. Note, this value may include alphabetic characters. This routing and transit number will also be used by the Receiving FI for routing purposes when creating any subsequent non-payment messages (e.g, Request for Return of Funds).</p> <p>Reason Code(s): Reject with Message Status Report (pacs.002) if:</p> <ul style="list-style-type: none"> - Routing and Transit number is not authorized to send this business message (reason code 'AG01') - Agent is signed-off (reason code '9934') - Agent is suspended (reason code '9946') - the sender of the message is not authorized to submit messages on behalf of this agent (reason code 'DS0H') <p>The RTP Network will reject with code '650' in Administration Advice message (admi.002) if Routing and Transit number is not included in the RTP routing database.</p> <p>Example: 021200201</p>
INDEX: 2.1018 FIToFICstmrCdtTrf +CdtTrfTxInf ++CdtrAgt	<p>Name: Creditor Agent</p> <p>ISO Description: Financial institution servicing an account for the creditor.</p> <p>Product Usage: Except for special use cases, such as IXB, this is the Creditor FI that holds the Creditor's account that is used to make the payment. Notwithstanding the ISO term 'agent' this entity will always be a Participant and party to a RTP payment. For RTP payments that are part of an IXB transfer, readers should refer to IXB documentation.</p> <p>XML Tag: <CdtrAgt></p> <p>Occurrence: [1..1]</p>
INDEX: 2.1019 FIToFICstmrCdtTrf +CdtTrfTxInf ++CdtrAgt +++FinInstnId	<p>Name: Financial Institution Identification</p> <p>ISO Description: Unique and unambiguous identification of a financial institution, as assigned under an internationally recognised or proprietary identification scheme.</p> <p>XML Tag: <FinInstnId></p> <p>Occurrence: [1..1]</p> <p>Note(s): This element will include the Routing and Transit number as provided in the Member Identification field.</p>
INDEX: 2.1021 FIToFICstmrCdtTrf	<p>Name: Clearing System Member Identification</p>

Element	Details
+CdtTrfTxInf ++CdtrAgt +++FinInstnId ++++ClrSysMmbld	<p>ISO Description: Information used to identify a member within a clearing system.</p> <p>XML Tag: <ClrSysMmbld></p> <p>Occurrence: [1..1]</p>
INDEX: 2.1025 FIToFICstmrCdtTrf +CdtTrfTxInf ++CdtrAgt +++FinInstnId ++++ClrSysMmbld +++++Mmbld	<p>Name: Member Identification</p> <p>ISO Description: Identification of a member of a clearing system.</p> <p>Product Usage: Routing and Transit Number that belongs to the Creditor FI. This may also be a token routing number, when a token is present for the Creditor.</p> <p>XML Tag: <Mmbld></p> <p>Occurrence: [1..1]</p> <p>Format: 9 character Routing and Transit Number (alphabetic characters may be present)</p> <p>Length: 9</p> <p>Rule(s): Member Identification must be valid 9 character Routing and Transit Number.</p> <p>Reason Code(s): Reject with Message Status Report (pacs.002) if:</p> <ul style="list-style-type: none"> - Routing and Transit number is not included in the RTP routing file/database (reason code 'RC04') - Receiver is not authorized to receive this business message (reason code 'AG01') - Agent is signed-off (reason code '9910') - Agent is suspended (reason code '9947') - Receiver connection is not available (reason code '9912') <p>Example: 020010001</p>
INDEX: 2.1101 FIToFICstmrCdtTrf +CdtTrfTxInf ++Cdtr	<p>Name: Creditor</p> <p>ISO Description: Party to which an amount of money is due.</p> <p>Product Usage: Except for special use cases, such as IXB, the party (Receiver) that receives payment from the Debtor / Sender. For RTP payments that are part of an IXB transfer, see IXB documentation.</p> <p>XML Tag: <Cdtr></p> <p>Occurrence: [1..1]</p>
INDEX: 2.1102 FIToFICstmrCdtTrf +CdtTrfTxInf ++Cdtr +++Nm	<p>Name: Name</p> <p>ISO Description: Name by which a party is known and which is usually used to identify that party.</p> <p>Product Usage: Creditor Name</p> <p>XML Tag: <Nm></p> <p>Occurrence: [1..1]</p> <p>Length: 140</p>

Element	Details
INDEX: 2.1103 FIToFICstmrCdtTrf +CdtTrfTxInf ++Cdtr +++PstlAdr	<p>Example: Creditor Name</p> <p>Name: Postal Address</p> <p>ISO Description: Information that locates and identifies a specific address, as defined by postal services.</p> <p>XML Tag: <PstlAdr></p> <p>Occurrence: [0..1]</p> <p>Rule(s): Only structured Address possible plus one Address Line available. If Postal Address is included, Street Name, Post Code, Town Name, Country Subdivision, and Country are required.</p>
INDEX: 2.1112 FIToFICstmrCdtTrf +CdtTrfTxInf ++Cdtr +++PstlAdr +++StrtNm	<p>Name: Street Name</p> <p>ISO Description: Name of a street or thoroughfare.</p> <p>XML Tag: <StrtNm></p> <p>Occurrence: [1..1]</p> <p>Length: 70</p> <p>Example: Yankee Hill Road</p>
INDEX: 2.1113 FIToFICstmrCdtTrf +CdtTrfTxInf ++Cdtr +++PstlAdr +++BldgNb	<p>Name: Building Number</p> <p>ISO Description: Number that identifies the position of a building on a street.</p> <p>XML Tag: <BldgNb></p> <p>Occurrence: [0..1]</p> <p>Length: 16</p> <p>Note(s): This is an optional field, even when Postal Address is present. Building number, when it is used, should be displayed to the end user directly ahead of Street Name. This field is not to be used as a second address line.</p> <p>Example: 1473</p>
INDEX: 2.1118 FIToFICstmrCdtTrf +CdtTrfTxInf ++Cdtr +++PstlAdr +++PstCd	<p>Name: Post Code</p> <p>ISO Description: Identifier consisting of a group of letters and/or numbers that is added to a postal address to assist the sorting of mail.</p> <p>XML Tag: <PstCd></p> <p>Occurrence: [1..1]</p> <p>Length: 16</p> <p>Example: 10016-8547</p>
INDEX: 2.1119 FIToFICstmrCdtTrf +CdtTrfTxInf ++Cdtr	<p>Name: Town Name</p> <p>ISO Description: Name of a built-up area, with defined boundaries, and a local government.</p> <p>XML Tag: <TwnNm></p>

Element	Details
+++PstlAdr ++++TwnNm	<p>Occurrence: [1..1] Length: 35 Example: Savannah</p>
INDEX: 2.1122 FIToFICstmrCdtTrf +CdtTrfTxInf ++Cdtr +++PstlAdr ++++CtrySubDvsn	<p>Name: Country Sub Division ISO Description: Identifies a subdivision of a country such as state, region, county. Product Usage: Identifies the state (could include full name or two character state abbreviation). XML Tag: <CtrySubDvsn> Occurrence: [1..1] Length: 35 Example: GA</p>
INDEX: 2.1123 FIToFICstmrCdtTrf +CdtTrfTxInf ++Cdtr +++PstlAdr ++++Ctry	<p>Name: Country ISO Description: Nation with its own government. XML Tag: <Ctry> Occurrence: [1..1] RegEx: [A-Z]{2,2} Length: 2 Rule(s): The code is checked against the list of country names obtained from the United Nations (ISO 3166, Alpha-2 code). Example: US</p>
INDEX: 2.1124 FIToFICstmrCdtTrf +CdtTrfTxInf ++Cdtr +++PstlAdr ++++AdrLine	<p>Name: Address Line ISO Description: Information that locates and identifies a specific address, as defined by postal services, presented in free format text. XML Tag: <AdrLine> Occurrence: [0..1] Length: 70 Note(s): Only one occurrence of this field is permitted and it is to be used as an 'Address Line 2'. When displaying an address to an end user, this field should appear directly after or below Street Name and directly before or above Town Name. Example: c/o The Clearing House</p>
INDEX: 2.1125 FIToFICstmrCdtTrf +CdtTrfTxInf ++Cdtr +++Id	<p>Name: Identification ISO Description: Unique and unambiguous identification of a party. Product Usage: This element is used on a conditional basis for Identification of any other specific identifier of the recipient. XML Tag: <Id></p>

Element	Details
<p>INDEX: 2.1126</p> <p>Choice: {Or FIToFICstmrCdtTrf +CdtTrfTxInf ++Cdtr +++Id ++++OrgId</p>	<p>Occurrence: [0..1]</p> <p>Note(s): Either one element PrivateIdentification / Other or OrganisationIdentification / LEI is being used.</p> <p>Name: Organisation Identification</p> <p>ISO Description: Unique and unambiguous way to identify an organisation.</p> <p>XML Tag: <OrgId></p> <p>Occurrence: [1..1]</p>
<p>INDEX: 2.1128</p> <p>FIToFICstmrCdtTrf +CdtTrfTxInf ++Cdtr +++Id ++++OrgId ++++LEI</p>	<p>Name: LEI</p> <p>ISO Description: Legal entity identification as an alternate identification for a party.</p> <p>Product Usage: Optional legal entity identifier when the referenced party is not a consumer.</p> <p>XML Tag: <LEI></p> <p>Occurrence: [1..1]</p> <p>RegEx: [A-Z0-9]{18,18}[0-9]{2,2}</p> <p>Length: 20</p> <p>Example: 54930084UKLVMY22DS16</p>
<p>INDEX: 2.1135</p> <p>Choice: Or}</p> <p>FIToFICstmrCdtTrf +CdtTrfTxInf ++Cdtr +++Id ++++PrvtId</p>	<p>Name: Private Identification</p> <p>ISO Description: Unique and unambiguous identification of a person, for example a passport.</p> <p>XML Tag: <PrvtId></p> <p>Occurrence: [1..1]</p>
<p>INDEX: 2.1136</p> <p>FIToFICstmrCdtTrf +CdtTrfTxInf ++Cdtr +++Id ++++PrvtId ++++DtAndPlcOfBirth</p>	<p>Name: Date And Place Of Birth</p> <p>ISO Description: Date and place of birth of a person.</p> <p>XML Tag: <DtAndPlcOfBirth></p> <p>Occurrence: [1..1]</p>
<p>INDEX: 2.1137</p> <p>FIToFICstmrCdtTrf</p>	<p>Name: Birth Date</p> <p>ISO Description: Date on which a person is born.</p>

Element	Details
+CdtTrfTxInf ++Cdtr +++Id ++++PrvtId ++++DtAndPlcOfBirth +++++BirthDt	XML Tag: <BirthDt> Occurrence: [1..1] Format: YYYY-MM-DD Length: 10 Example: 1969-06-28
INDEX: 2.1139 FIToFICstmrCdtTrf +CdtTrfTxInf ++Cdtr +++Id ++++PrvtId ++++DtAndPlcOfBirth +++++CityOfBirth	Name: City Of Birth ISO Description: City where a person was born. XML Tag: <CityOfBirth> Occurrence: [1..1] Length: 35 Note(s): This field is a mandatory ISO field if Date and Place of Birth is utilized, but the content of the field will not be validated by the system. Example: Birth City
INDEX: 2.1140 FIToFICstmrCdtTrf +CdtTrfTxInf ++Cdtr +++Id ++++PrvtId ++++DtAndPlcOfBirth +++++CtryOfBirth	Name: Country Of Birth ISO Description: Country where a person was born. XML Tag: <CtryOfBirth> Occurrence: [1..1] RegEx: [A-Z]{2,2} Length: 2 Rule(s): The code is checked against the list of country names obtained from the United Nations (ISO 3166, Alpha-2 code). Example: US
INDEX: 2.1163 FIToFICstmrCdtTrf +CdtTrfTxInf ++CdtrAcct	Name: Creditor Account ISO Description: Unambiguous identification of the account of the creditor to which a credit entry will be posted as a result of the payment transaction. XML Tag: <CdtrAcct> Occurrence: [1..1]
INDEX: 2.1164 FIToFICstmrCdtTrf +CdtTrfTxInf ++CdtrAcct +++Id	Name: Identification ISO Description: Unique and unambiguous identification for the account between the account owner and the account servicer. XML Tag: <Id> Occurrence: [1..1]

Element	Details
INDEX: 2.1166 FIToFICstmrCdtTrf +CdtTrfTxInf ++CdtrAcct +++Id ++++Othr	Name: Other ISO Description: Unique identification of an account, as assigned by the account servicer, using an identification scheme. Product Usage: Unique identification of a Creditor Customer account, as assigned by the Creditor FI. XML Tag: <Othr> Occurrence: [1..1]
INDEX: 2.1167 FIToFICstmrCdtTrf +CdtTrfTxInf ++CdtrAcct +++Id ++++Othr +++++Id	Name: Identification ISO Description: Identification assigned by an institution. Product Usage: Identification of the account, this value may be a token account number. Identification is limited to 34 characters which may be alphanumeric (A-Z, a-z, 0-9), and include space and hyphen/minus (-). Note that Identification cannot start or end with a space or minus, and consecutive spaces or minuses are not allowed. XML Tag: <Id> Occurrence: [1..1] Length: 34 Note(s): When local instrument is set to Zelle, the Receiving Participant will obtain the Recipient Payment Profile ID from the RTP Creditor Account field. Example: 12000194212199000
INDEX: 2.1176 FIToFICstmrCdtTrf +CdtTrfTxInf ++CdtrAcct +++Nm	Name: Name ISO Description: Name of the account, as assigned by the account servicing institution, in agreement with the account owner in order to provide an additional means of identification of the account. Usage: The account name is different from the account owner name. The account name is used in certain user communities to provide a means of identifying the account, in addition to the account owner's identity and the account number. Product Usage: Name by which the creditor is known to the debtor. XML Tag: <Nm> Occurrence: [0..1] Length: 70
INDEX: 2.1177 FIToFICstmrCdtTrf +CdtTrfTxInf ++CdtrAcct +++Prxy	Name: Proxy ISO Description: Specifies an alternate assumed name for the identification of the account. Product Usage: This field must be used to include the alias (proxy) used to address a transaction initiated via ZELLE. XML Tag: <Prxy> Occurrence: [0..1]
INDEX: 2.1181	Name: Identification

Element	Details
FIToFICstmrCdtTrf +CdtTrfTxInf ++CdtrAcct +++Prxy ++++Id	<p>ISO Description: Identification used to indicate the account identification under another specified name.</p> <p>Product Usage: Information about the alias which might be a mobile number, an email address etc.</p> <p>XML Tag: <Id></p> <p>Occurrence: [1..1]</p> <p>Length: 256</p> <p>Note(s): When an alias is used to retrieve the creditor's account credentials prior to sending an RTP Credit Transfer, the alias used to look up the account credentials must be included in this field.</p> <p>Example: 2125551212 or jane.doe@domain.ext</p>
INDEX: 2.1182 FIToFICstmrCdtTrf +CdtTrfTxInf ++UltmtCdtr	<p>Name: Ultimate Creditor</p> <p>ISO Description: Ultimate party to which an amount of money is due.</p> <p>Product Usage: Ultimate Creditor may only be used when Local Instrument / Proprietary code is set to 'INTERMEDIARY', 'ZELLE', or 'IXB'. See guidelines for these use cases for a description of how Ultimate Creditor is used.</p> <p>XML Tag: <UltmtCdtr></p> <p>Occurrence: [0..1]</p>
INDEX: 2.1183 FIToFICstmrCdtTrf +CdtTrfTxInf ++UltmtCdtr +++Nm	<p>Name: Name</p> <p>ISO Description: Name by which a party is known and which is usually used to identify that party.</p> <p>XML Tag: <Nm></p> <p>Occurrence: [1..1]</p> <p>Length: 140</p>
INDEX: 2.1184 FIToFICstmrCdtTrf +CdtTrfTxInf ++UltmtCdtr +++PstlAdr	<p>Name: Postal Address</p> <p>ISO Description: Information that locates and identifies a specific address, as defined by postal services.</p> <p>XML Tag: <PstlAdr></p> <p>Occurrence: [0..1]</p> <p>Rule(s): Only structured Address possible plus one Address Line available. If Postal Address is included, Street Name, Post Code, Town Name, Country Subdivision, and Country are required.</p>
INDEX: 2.1193 FIToFICstmrCdtTrf +CdtTrfTxInf ++UltmtCdtr +++PstlAdr ++++StrtNm	<p>Name: Street Name</p> <p>ISO Description: Name of a street or thoroughfare.</p> <p>XML Tag: <StrtNm></p> <p>Occurrence: [1..1]</p> <p>Length: 70</p>

Element	Details
INDEX: 2.1194 FIToFICstmrCdtTrf +CdtTrfTxInf ++UltmtCdtr +++PstlAdr ++++BldgNb	<p>Example: Park Lane</p> <p>Name: Building Number</p> <p>ISO Description: Number that identifies the position of a building on a street.</p> <p>XML Tag: <BldgNb></p> <p>Occurrence: [0..1]</p> <p>Length: 16</p> <p>Note(s): This is an optional field, even when Postal Address is present. Building number, when it is used, should be displayed to the end user directly ahead of Street Name. This field is not to be used as a second address line.</p> <p>Example: 45</p>
INDEX: 2.1199 FIToFICstmrCdtTrf +CdtTrfTxInf ++UltmtCdtr +++PstlAdr ++++PstCd	<p>Name: Post Code</p> <p>ISO Description: Identifier consisting of a group of letters and/or numbers that is added to a postal address to assist the sorting of mail.</p> <p>XML Tag: <PstCd></p> <p>Occurrence: [1..1]</p> <p>Length: 16</p> <p>Example: 10016</p>
INDEX: 2.1200 FIToFICstmrCdtTrf +CdtTrfTxInf ++UltmtCdtr +++PstlAdr ++++TwnNm	<p>Name: Town Name</p> <p>ISO Description: Name of a built-up area, with defined boundaries, and a local government.</p> <p>XML Tag: <TwnNm></p> <p>Occurrence: [1..1]</p> <p>Length: 35</p> <p>Example: Chicago</p>
INDEX: 2.1203 FIToFICstmrCdtTrf +CdtTrfTxInf ++UltmtCdtr +++PstlAdr ++++CtrySubDvsn	<p>Name: Country Sub Division</p> <p>ISO Description: Identifies a subdivision of a country such as state, region, county.</p> <p>Product Usage: Identifies the state (could include full name or two character state abbreviation).</p> <p>XML Tag: <CtrySubDvsn></p> <p>Occurrence: [1..1]</p> <p>Length: 35</p> <p>Example: Illinois</p>
INDEX: 2.1204 FIToFICstmrCdtTrf	<p>Name: Country</p> <p>ISO Description: Nation with its own government.</p>

Element	Details
+CdtTrfTxInf ++UltmtCdtr +++PstlAdr ++++Ctry	<p>XML Tag: <Ctry></p> <p>Occurrence: [1..1]</p> <p>RegEx: [A-Z]{2}</p> <p>Length: 2</p> <p>Rule(s): The code is checked against the list of country names obtained from the United Nations (ISO 3166, Alpha-2 code).</p> <p>Example: US</p>
INDEX: 2.1205 FIToFICstmrCdtTrf +CdtTrfTxInf ++UltmtCdtr +++PstlAdr ++++AdrLine	<p>Name: Address Line</p> <p>ISO Description: Information that locates and identifies a specific address, as defined by postal services, presented in free format text.</p> <p>XML Tag: <AdrLine></p> <p>Occurrence: [0..1]</p> <p>Length: 70</p> <p>Note(s): Only one occurrence of this field is permitted and it is to be used as an 'Address Line 2'. When displaying an address to an end user, this field should appear directly after or below Street Name and directly before or above Town Name.</p> <p>Example: c/o The Clearing House</p>
INDEX: 2.1206 FIToFICstmrCdtTrf +CdtTrfTxInf ++UltmtCdtr +++Id	<p>Name: Identification</p> <p>ISO Description: Unique and unambiguous identification of a party.</p> <p>Product Usage: This element is used on a conditional basis for Identification of any other specific identifier of the ultimate recipient.</p> <p>XML Tag: <Id></p> <p>Occurrence: [0..1]</p> <p>Note(s): Either one element PrivateIdentification / Other or OrganisationIdentification / LEI is being used.</p>
INDEX: 2.1207 Choice: {Or FIToFICstmrCdtTrf +CdtTrfTxInf ++UltmtCdtr +++Id ++++OrgId	<p>Name: Organisation Identification</p> <p>ISO Description: Unique and unambiguous way to identify an organisation.</p> <p>XML Tag: <OrgId></p> <p>Occurrence: [1..1]</p>
INDEX: 2.1209 FIToFICstmrCdtTrf +CdtTrfTxInf ++UltmtCdtr +++Id	<p>Name: LEI</p> <p>ISO Description: Legal entity identification as an alternate identification for a party.</p> <p>Product Usage: Optional legal entity identifier when the referenced party is not a consumer.</p> <p>XML Tag: <LEI></p>

Element	Details
++++OrgId ++++LEI	<p>Occurrence: [0..1]</p> <p>RegEx: [A-Z0-9]{18,18}[0-9]{2,2}</p> <p>Length: 20</p> <p>Note(s): LEI has to be present if Othr is not present under Id>>OrgId.</p> <p>Example: 54930084UKLVMY22DS16</p>
INDEX: 2.1210 FIToFICstmrCdtTrf +CdtTrfTxInf ++UltmtCdtr +++Id ++++OrgId +++++Othr	<p>Name: Other</p> <p>ISO Description: Unique identification of an organisation, as assigned by an institution, using an identification scheme.</p> <p>Product Usage: In the case of a Business Ultimate Creditor, the first two instances of Identification may be populated to carry over the Receiver of the Credit Transfer (e.g., BIC and IBAN) when Sending an IXB RTP Credit Transfer to an international party. For RTP payments that are part of an IXB transfer, see IXB documentation.</p> <p>XML Tag: <Othr></p> <p>Occurrence: [0..5]</p>
INDEX: 2.1211 FIToFICstmrCdtTrf +CdtTrfTxInf ++UltmtCdtr +++Id ++++OrgId +++++Othr ++++++Id	<p>Name: Identification</p> <p>ISO Description: Identification assigned by an institution.</p> <p>Product Usage: For RTP IXB Payments, this field may be used for the beneficiary IBAN and bank BIC.</p> <p>XML Tag: <Id></p> <p>Occurrence: [1..1]</p> <p>Length: 35</p>
INDEX: 2.1212 FIToFICstmrCdtTrf +CdtTrfTxInf ++UltmtCdtr +++Id ++++OrgId +++++Othr ++++++SchmeNm	<p>Name: Scheme Name</p> <p>ISO Description: Name of the identification scheme.</p> <p>Product Usage: Used for additional information when the message is for IXB use cases.</p> <p>XML Tag: <SchmeNm></p> <p>Occurrence: [0..1]</p>
INDEX: 2.1214 FIToFICstmrCdtTrf +CdtTrfTxInf ++UltmtCdtr +++Id ++++OrgId	<p>Name: Proprietary</p> <p>ISO Description: Name of the identification scheme, in a free text form.</p> <p>Product Usage: When 'Identification' is populated for IXB use cases, then the 'Proprietary' field should be populated with either BIC or IBAN as appropriate.</p> <p>XML Tag: <Prtry></p>

Element	Details
++++Othr +++++SchmeNm ++++++Prtry	Occurrence: [1..1] Length: 35
INDEX: 2.1216 Choice: Or} FIToFICstmrCdtTrf +CdtTrfTxInf ++UltmtCdtr +++Id ++++PrvtId	Name: Private Identification ISO Description: Unique and unambiguous identification of a person, for example a passport. XML Tag: <PrvtId> Occurrence: [1..1]
INDEX: 2.1217 FIToFICstmrCdtTrf +CdtTrfTxInf ++UltmtCdtr +++Id ++++PrvtId +++++DtAndPlcOfBirth	Name: Date And Place Of Birth ISO Description: Date and place of birth of a person. XML Tag: <DtAndPlcOfBirth> Occurrence: [0..1]
INDEX: 2.1218 FIToFICstmrCdtTrf +CdtTrfTxInf ++UltmtCdtr +++Id ++++PrvtId +++++DtAndPlcOfBirth +++++BirthDt	Name: Birth Date ISO Description: Date on which a person is born. XML Tag: <BirthDt> Occurrence: [1..1] Format: YYYY-MM-DD Length: 10
INDEX: 2.1220 FIToFICstmrCdtTrf +CdtTrfTxInf ++UltmtCdtr +++Id ++++PrvtId +++++DtAndPlcOfBirth +++++CityOfBirth	Name: City Of Birth ISO Description: City where a person was born. XML Tag: <CityOfBirth> Occurrence: [1..1] Length: 35 Note(s): This field is a mandatory ISO field if Date and Place of Birth is utilized, but the content of the field will not be validated by the system.
INDEX: 2.1221 FIToFICstmrCdtTrf	Name: Country Of Birth ISO Description: Country where a person was born.

Element	Details
+CdtTrfTxInf ++UltmtCdtr +++Id ++++PrvtId ++++DtAndPlcOfBirth +++++CtryOfBirth	<p>XML Tag: <CtryOfBirth></p> <p>Occurrence: [1..1]</p> <p>RegEx: [A-Z]{2,2}</p> <p>Length: 2</p> <p>Rule(s): The code is checked against the list of country names obtained from the United Nations (ISO 3166, Alpha-2 code).</p> <p>Example: BE</p>
INDEX: 2.1222 FIToFICstmrCdtTrf +CdtTrfTxInf ++UltmtCdtr +++Id ++++PrvtId +++++Othr	<p>Name: Other</p> <p>ISO Description: Unique identification of a person, as assigned by an institution, using an identification scheme.</p> <p>Product Usage: In the case of a Consumer/Person Ultimate Creditor, the first two instances of Identification may be populated to carry over the Receiver of the Credit Transfer (e.g., BIC and IBAN) when Sending an IXB RTP Credit Transfer to an international party. For RTP payments that are part of an IXB transfer, see IXB documentation.</p> <p>XML Tag: <Othr></p> <p>Occurrence: [0..5]</p>
INDEX: 2.1223 FIToFICstmrCdtTrf +CdtTrfTxInf ++UltmtCdtr +++Id ++++PrvtId +++++Othr +++++Id	<p>Name: Identification</p> <p>ISO Description: Unique and unambiguous identification of a person.</p> <p>Product Usage: Specific Identifier for the Ultimate Creditor within the Creditor's system of record (e.g. username, account name/ID, email address, etc.).</p> <p>XML Tag: <Id></p> <p>Occurrence: [1..1]</p> <p>Length: 35</p>
INDEX: 2.1224 FIToFICstmrCdtTrf +CdtTrfTxInf ++UltmtCdtr +++Id ++++PrvtId +++++Othr +++++SchmeNm	<p>Name: Scheme Name</p> <p>ISO Description: Name of the identification scheme.</p> <p>Product Usage: Used for additional information when the message is for IXB use cases. For RTP payments that are part of an IXB transfer, see IXB documentation.</p> <p>XML Tag: <SchmeNm></p> <p>Occurrence: [0..1]</p>
INDEX: 2.1226 FIToFICstmrCdtTrf +CdtTrfTxInf ++UltmtCdtr	<p>Name: Proprietary</p> <p>ISO Description: Name of the identification scheme, in a free text form.</p> <p>Product Usage: When 'Identification' is populated for IXB use cases, then the 'Proprietary' field should be populated to identify the</p>

Element	Details
+++Id ++++PrvtId +++++Othr ++++++SchmeNm ++++++Prtry	Identification as either a BIC or an IBAN. For RTP payments that are part of an IXB transfer, see IXB documentation. XML Tag: <Prtry> Occurrence: [1..1] Length: 35
INDEX: 2.1244 FIToFICstmrCdtTrf +CdtTrfTxInf ++InstrForCdtrAgt	Name: Instruction For Creditor Agent ISO Description: Further information related to the processing of the payment instruction, provided by the initiating party, and intended for the creditor agent. Product Usage: The Instruction for Creditor Agent is used to inform the Creditor FI about the usage of tokenized account information or foreign exchange and currency information in a RTP payment that is part of an IXB transfers. Refer to implementation documentation for more details. XML Tag: <InstrForCdtrAgt> Occurrence: [0..5] Note(s): The code VLTK can be used up to 3 times to allow all the validation data to be provided.
INDEX: 2.1245 FIToFICstmrCdtTrf +CdtTrfTxInf ++InstrForCdtrAgt +++Cd	Name: Code ISO Description: Coded information related to the processing of the payment instruction, provided by the initiating party, and intended for the creditor's agent. Product Usage: The codes 'PRTK', 'TOKEN', and 'VLTK' are used to differentiate the information provided in the Instruction Information field. 'PRTK' indicates a payer token request, 'TOKEN' used for 'Token Information', and 'VLTK' used for 'Validation Token'. In the case of IXB, 'VLTK' will be used to carry Foreign Exchange and Currency information. Codes 'TKCM' to 'TKXP' are used for different Token control information that may be passed to the Creditor FI as additional information to impact its decision to accept or reject the transaction. XML Tag: <Cd> Occurrence: [1..1] Length: 4 Rule(s): Only specified valid codes (according code list) are expected. Reason Code(s): The RTP Network will reject with code '650' in Administration Advice message (admi.002) if Instruction Code is not valid. Example: TOKN
Permitted Codes	
PRTK SenderTokenRequested TKCM Counterparty Mismatch TKSG Single Use Token Already Used	

Element	Details
	<p>Permitted Codes</p> <ul style="list-style-type: none"> TKSP Token Suspended Status TKVE Token Value Limit Breach TKXP Token Expired TOKN Token Information VLTK Token Validation Information or Foreign Exchange and Currency Information (IXB)
<p>INDEX: 2.1246</p> <p>FItoFICstmrCdtTrf +CdtTrfTxInf ++InstrForCdtrAgt +++InstrInf</p>	<p>Name: Instruction Information</p> <p>ISO Description: Further information complementing the coded instruction or instruction to the creditor's agent that is bilaterally agreed or specific to a user community.</p> <p>Product Usage: Information about the necessary data. For code 'TOKN' – Creditor FI will always receive the real account number in the account ID field, and receive the Creditor's token used in the transaction in this field if a token was used for the Creditor's account in the transaction. For code 'VLTK' – Supports the optional additional validation methods in conjunction with the token, e.g., B2B cypher, device ID, cryptograms, etc. Or, in the case of IXB may be a token related to Foreign Exchange and Currency information. This information will be used up to 3 times. For code 'PRTK' – Debtor FI requests the Debtor Account ID be tokenized. When used, Instruction Information (InstrInf) will be populated with 'PRTK' to indicate that the Debtor Account ID is a token. Note, the Debtor's account number in the clear will not be present in the Credit Transfer. For codes 'TKCM' to 'TKXP' the description of the code has to be provided (see details under Note).</p> <p>XML Tag: <InstrInf></p> <p>Occurrence: [1..1]</p> <p>Length: 140</p> <p>Note(s): The following fixed texts are used for codes: - TKXP – 'Token found but with expired status.' - TKCM – 'Token found with counterparty mismatch.' - TKVE – 'Token found with dollar limit rule violation.' - TKSG – 'Single Use Token already used.' - TKSP – 'Token found with invalid or negative status.'</p>
<p>INDEX: 2.1316</p> <p>FItoFICstmrCdtTrf +CdtTrfTxInf ++RltdRmtInf</p>	<p>Name: Related Remittance Information</p> <p>ISO Description: Provides information related to the handling of the remittance information by any of the agents in the transaction processing chain.</p> <p>Product Usage: This element will be used if a remittance advice has been sent (remt.001) by the Debtor or for identification of the external location of the remittance information if the remt.001 message is not used.</p> <p>XML Tag: <RltdRmtInf></p>

Element	Details
INDEX: 2.1317 FIToFICstmrCdtTrf +CdtTrfTxInf ++RltdRmtInf +++RmtId	<p>Occurrence: [0..1]</p> <p>Name: Remittance Identification</p> <p>ISO Description: Unique identification, as assigned by the initiating party, to unambiguously identify the remittance information sent separately from the payment instruction, such as a remittance advice.</p> <p>Product Usage: Remittance Identification from remt.001 to identify the separate remittance advice sent by the Creditor that is associated with the Credit Transfer (pacs.008).</p> <p>XML Tag: <RmtId></p> <p>Occurrence: [0..1]</p> <p>Length: 35</p> <p>Rule(s): This element must be used if a separate Remittance Advice is sent via a remt.001 message. The reference (field Remittance Identification in the remt.001 message) in this element must be identical to the reference provided in the remittance advice message. RTP will not validate the information provided in this field, but will pass on this data to the next party in the payment chain.</p> <p>Note(s): The original reference provided in the separate remittance advice message (remt.001) is used to ensure reconciliation between the remt.001 and the pacs.008. Multiple Remittance Advice messages could accompany a single credit Transfer Message. Participants should rely upon the reference to the pacs,008 message within the remt.001 message to associate a remt.001 message to a pacs.008 message.</p> <p>Example: 20171112INFOABCD</p>
INDEX: 2.1318 FIToFICstmrCdtTrf +CdtTrfTxInf ++RltdRmtInf +++RmtLctnDtIs	<p>Name: Remittance Location Details</p> <p>ISO Description: Set of elements used to provide information on the location and/or delivery of the remittance information.</p> <p>XML Tag: <RmtLctnDtIs></p> <p>Occurrence: [0..1]</p>
INDEX: 2.1319 FIToFICstmrCdtTrf +CdtTrfTxInf ++RltdRmtInf +++RmtLctnDtIs +++Mtd	<p>Name: Method</p> <p>ISO Description: Method used to deliver the remittance advice information.</p> <p>XML Tag: <Mtd></p> <p>Occurrence: [1..1]</p> <p>Length: 4</p> <p>Example: URID</p>
Permitted Codes	
EMAL Email - Remittance advice information must be sent through e-mail.	

Element	Details
	<p>Permitted Codes</p> <p>URID UniformResourceIdentifier - Remittance advice information needs to be sent to a Uniform Resource Identifier (URI). URI is a compact string of characters that uniquely identify an abstract or physical resource. URI's are the super-set of identifiers, such as URLs, email addresses, ftp sites, etc.</p>
<p>INDEX: 2.1320 FIToFICstmrCdtTrf +CdtTrfTxInf ++RltdRmtInf +++RmtLctnDtls ++++ElctrncAdr</p>	<p>Name: Electronic Address</p> <p>ISO Description: Electronic address to which an agent is to send the remittance information.</p> <p>Product Usage: For TCH Document Exchange usage, the code 'DX' will be used followed by the parameters required for processing. The associated Remittance Method should specify 'URID'. The formatting of the 'DX' parameters will be defined in the TCH Document Exchange Technical Specifications.</p> <p>XML Tag: <ElctrncAdr></p> <p>Occurrence: [0..1]</p> <p>Length: 2048</p> <p>Example: first.name@address.com</p>
<p>INDEX: 2.1345 FIToFICstmrCdtTrf +CdtTrfTxInf ++RmtInf</p>	<p>Name: Remittance Information</p> <p>ISO Description: Information supplied to enable the matching of an entry with the items that the transfer is intended to settle, such as commercial invoices in an accounts' receivable system.</p> <p>XML Tag: <RmtInf></p> <p>Occurrence: [0..1]</p>
<p>INDEX: 2.1346 FIToFICstmrCdtTrf +CdtTrfTxInf ++RmtInf +++Ustrd</p>	<p>Name: Unstructured</p> <p>ISO Description: Information supplied to enable the matching/reconciliation of an entry with the items that the payment is intended to settle, such as commercial invoices in an accounts' receivable system, in an unstructured form.</p> <p>Product Usage: Used to provide additional remittance related information.</p> <p>XML Tag: <Ustrd></p> <p>Occurrence: [0..1]</p> <p>Format: Maximum 140 characters.</p> <p>Length: 140</p> <p>Example: Unstructured Information</p>
<p>INDEX: 2.1347 FIToFICstmrCdtTrf +CdtTrfTxInf ++RmtInf +++Strd</p>	<p>Name: Structured</p> <p>ISO Description: Information supplied to enable the matching/reconciliation of an entry with the items that the payment is intended to settle, such as commercial invoices in an accounts' receivable system, in a structured form.</p> <p>Product Usage: This element is used to provide additional amounts to describe discounts taken in certain commercial use cases. It also</p>

Element	Details
	<p>must be used when a pacs.008 is generated as a result of a Request for Return of Funds.</p> <p>XML Tag: <Strd></p> <p>Occurrence: [0..1]</p>
<p>INDEX: 2.1348</p> <p>FIToFICstmrCdtTrf +CdtTrfTxInf ++RmtInf +++Strd ++++RfrdDocInf</p>	<p>Name: Referred Document Information</p> <p>ISO Description: Provides the identification and the content of the referred document.</p> <p>Product Usage: Multiple occurrences used to carry additional information related to the payment under the following conditions: - When a Credit Transfer is being used to return funds associated with a previously completed Credit Transfer, the Identification of the original Credit Transfer that is being returned will be included in these fields. Specific to Bill Pay use cases, it may be the end customer account number within the biller system or an invoice number.</p> <p>XML Tag: <RfrdDocInf></p> <p>Occurrence: [0..5]</p> <p>Note(s): This field must be used if the Credit Transfer is returning funds associated with a previously completed RTP Credit Transfer. It may be optionally used to carry biller account and invoice information.</p>
<p>INDEX: 2.1349</p> <p>FIToFICstmrCdtTrf +CdtTrfTxInf ++RmtInf +++Strd ++++RfrdDocInf ++++Tp</p>	<p>Name: Type</p> <p>ISO Description: Specifies the type of referred document.</p> <p>Product Usage: Used to provide additional information throughout the payment chain for Bill Pay use cases (e.g. biller account numbers or invoice numbers).</p> <p>XML Tag: <Tp></p> <p>Occurrence: [0..1]</p> <p>Note(s): Use of 'Type' may optionally be used even when payment is not Bill Pay related.</p>
<p>INDEX: 2.1350</p> <p>FIToFICstmrCdtTrf +CdtTrfTxInf ++RmtInf +++Strd ++++RfrdDocInf</p>	<p>Name: Code Or Proprietary</p> <p>ISO Description: Provides the type details of the referred document.</p> <p>XML Tag: <CdOrPrtry></p> <p>Occurrence: [1..1]</p>

Element	Details
+++++Tp +++++CdOrPrtry INDEX: 2.1351 Choice: {Or FIToFICstmrCdtTrf +CdtTrfTxInf ++RmtInf +++Strd ++++RfrdDocInf +++++Tp +++++CdOrPrtry +++++Cd	<p>Name: Code</p> <p>ISO Description: Document type in a coded form.</p> <p>Product Usage: Used to carry the additional information related to the payment. - If this is populated with "CINV", an invoice number is expected to be included</p> <p>XML Tag: <Cd></p> <p>Occurrence: [1..1]</p> <p>Length: 4</p> <p>Example: CINV</p> <p>Permitted Codes</p> <p>CINV CommercialInvoice</p>
INDEX: 2.1352 Choice: Or} FIToFICstmrCdtTrf +CdtTrfTxInf ++RmtInf +++Strd ++++RfrdDocInf +++++Tp +++++CdOrPrtry +++++Prtry	<p>Name: Proprietary</p> <p>ISO Description: Proprietary identification of the type of the remittance document.</p> <p>Product Usage: Used to carry the additional information related to the payment. - If this is populated with "CSCM", a biller account number is intended to be included - If this is populated with "RTRN", it indicates a return of funds</p> <p>XML Tag: <Prtry></p> <p>Occurrence: [1..1]</p> <p>Length: 35</p> <p>Example: CSCM</p> <p>Permitted Codes</p> <p>CSCM Account Number</p> <p>RTRN Return of Funds</p>
INDEX: 2.1354 FIToFICstmrCdtTrf +CdtTrfTxInf ++RmtInf +++Strd ++++RfrdDocInf +++++Nb	<p>Name: Number</p> <p>ISO Description: Unique and unambiguous identification of the referred document.</p> <p>Product Usage: 'Number' should be populated under the following conditions: If 'Proprietary' is populated with 'RTRN', then 'Number' is populated with the Instruction Identification of the original Credit Transfer (pacs.008) message for which this transaction is returning the funds. If 'Proprietary' is populated with 'CSCM' then 'Number' should be populated with a biller account number. If 'Code' is populated with 'CINV' then 'Number' should be populated with an invoice number. If responding to a pain.013 containing an invoice number, then the same invoice number should be populated in the pacs.008. If no Types ('Code' or 'Proprietary') are provided, assume 'Number' is populated with Instruction ID.</p>

Element	Details
	<p>XML Tag: <Nb></p> <p>Occurrence: [1..1]</p> <p>Format: See Instruction Identification.</p> <p>Length: 35</p> <p>Note(s): This format of this field is not validated by RTP. This field is required only when Referred Document Information is present.</p> <p>Example: 2017111002120020101BSTRF00000000077</p>
<p>INDEX: 2.1355</p> <p>FIToFICstmrCdtTrf +CdtTrfTxInf ++RmtInf +++Strd ++++RfrdDocInf +++++RltdDt</p>	<p>Name: Related Date</p> <p>ISO Description: Date associated with the referred document.</p> <p>Product Usage: Interbank Settlement Date of the original Credit Transfer (pacs.008) for which this transaction is returning the funds.</p> <p>XML Tag: <RltdDt></p> <p>Occurrence: [0..1]</p> <p>Format: YYYY-MM-DD</p> <p>Length: 10</p> <p>Note(s): This field is required when Referred Document Information type is a Return (RTRN).</p> <p>Example: 2017-11-12</p>
<p>INDEX: 2.1391</p> <p>FIToFICstmrCdtTrf +CdtTrfTxInf ++RmtInf +++Strd ++++RfrdDocAmt</p>	<p>Name: Referred Document Amount</p> <p>ISO Description: Provides details on the amounts of the referred document.</p> <p>Product Usage: The element Referred Document Amount is used for the ability to show specific amounts referred either from the Creditor or Debtor (including their FIs).</p> <p>XML Tag: <RfrdDocAmt></p> <p>Occurrence: [0..1]</p> <p>Note(s): Please refer to the section “Referred Document Amount Usage in RTP Credit Transfers” for additional information on the usage of this field.</p>
<p>INDEX: 2.1394</p> <p>FIToFICstmrCdtTrf +CdtTrfTxInf ++RmtInf +++Strd ++++RfrdDocAmt +++++DscntApldAmt</p>	<p>Name: Discount Applied Amount</p> <p>ISO Description: Amount specified for the referred document is the amount of discount to be applied to the amount due and payable to the creditor.</p> <p>Product Usage: The element Referred Document Amount is used for the ability to show an additional amount, the usage of which is defined by the Proprietary Type code.</p> <p>XML Tag: <DscntApldAmt></p> <p>Occurrence: [0..2]</p>

Element	Details
INDEX: 2.1395 FIToFICstmrCdtTrf +CdtTrfTxInf ++RmtInf +++Strd ++++RfrdDocAmt +++++DscntApldAmt ++++++Tp	<p>Rule(s): If type code 'DSCT' is present the code 'FULL' must be also present.</p> <p>Reason Code(s): Reject with code '9953' in Message Status Report (pacs.002) if code 'DSCT' is present without code 'FULL'.</p> <p>Name: Type</p> <p>ISO Description: Specifies the type of the amount.</p> <p>Product Usage: The Type identifies the purpose of the additional amount.</p> <p>XML Tag: <Tp></p> <p>Occurrence: [1..1]</p>
INDEX: 2.1397 FIToFICstmrCdtTrf +CdtTrfTxInf ++RmtInf +++Strd ++++RfrdDocAmt +++++DscntApldAmt ++++++Tp ++++++Prtry	<p>Name: Proprietary</p> <p>ISO Description: Specifies the amount type, in a free-text form.</p> <p>XML Tag: <Prtry></p> <p>Occurrence: [1..1]</p> <p>Length: 4</p>
	<p>Permitted Codes</p> <p>DSCT Discounted Amount – includes the difference between the gross amount (included in the Discount Applied Amounts with proprietary code 'FULL') and the amount paid with this Credit Transfer (included in Interbank Settlement Amount). When an amount of this type is present, a second occurrence with the Type "FULL" must also be present.</p> <p>FULL Full amount payable – The sum of the gross amounts of all invoices being paid with this Credit Transfer. When an amount of this type is present, a second occurrence with the Type "DSCT" must also be present.</p> <p>ORIG Originally Requested Amount – when the Credit Transfer is returning funds associated with a previously completed Credit Transfer, and the amount being returned differs from the original amount of the Credit Transfer, the original amount of the returned Credit Transfer must be included here.</p>
INDEX: 2.1398 FIToFICstmrCdtTrf +CdtTrfTxInf ++RmtInf +++Strd ++++RfrdDocAmt +++++DscntApldAmt	<p>Name: Amount</p> <p>ISO Description: Amount of money, which has been typed.</p> <p>XML Tag: <Amt></p> <p>Occurrence: [1..1]</p> <p>Rule(s): The number of fractional digits (or minor unit of currency) must comply with ISO 4217. Note: The decimal separator is a dot.</p>

Element	Details
+++++Amt	<p>Example: 6284534</p> <p>Frac Digits: 2</p> <p>Total Digits: 18</p>
INDEX: 2.1399	<p>Name: Currency</p> <p>ISO Description: A code allocated to a currency by a Maintenance Agency under an international identification scheme, as described in the latest edition of the international standard ISO 4217 "Codes for the representation of currencies and funds".</p> <p>XML Tag: <Ccy></p> <p>RegEx: [A-Z]{3,3}</p> <p>Length: 3</p> <p>Rule(s): The Currency Code must be registered, or have already been registered. Valid active or historic currency codes are registered with the ISO 4217 Maintenance Agency, consist of three (3) contiguous letters, and may be or not be withdrawn on the day the message containing the Currency is exchanged.</p> <p>Example: USD</p>
Permitted Codes	
USD US Dollar	
INDEX: 2.1423 FIToFICstmrCdtTrf +CdtTrfTxInf ++RmtInf +++Strd ++++Invcr	<p>Name: Invoicer</p> <p>ISO Description: Identification of the organisation issuing the invoice, when it is different from the creditor or ultimate creditor.</p> <p>Product Usage: The Invoicer is the creditor in the Credit Transfer (pacs.008), the field is used to carry identifications or account numbers related to the invoicer of the Credit Transfer (pacs.008).</p> <p>XML Tag: <Invcr></p> <p>Occurrence: [0..1]</p>
INDEX: 2.1447 FIToFICstmrCdtTrf +CdtTrfTxInf ++RmtInf +++Strd ++++Invcr +++++Id	<p>Name: Identification</p> <p>ISO Description: Unique and unambiguous identification of a party.</p> <p>Product Usage: This element is used on a conditional basis for Identification of any other specific identifier of the ultimate receiver.</p> <p>XML Tag: <Id></p> <p>Occurrence: [1..1]</p>
INDEX: 2.1448 FIToFICstmrCdtTrf +CdtTrfTxInf ++RmtInf +++Strd	<p>Name: Organisation Identification</p> <p>ISO Description: Unique and unambiguous way to identify an organisation.</p> <p>XML Tag: <OrgId></p> <p>Occurrence: [1..1]</p>

Element	Details
++++Invcr +++++Id +++++OrgId INDEX: 2.1451 FIToFICstmrCdtTrf +CdtTrfTxInf ++RmtInf +++Strd ++++Invcr +++++Id +++++OrgId ++++++Othr	Name: Other ISO Description: Unique identification of an organisation, as assigned by an institution, using an identification scheme. XML Tag: <Othr> Occurrence: [1..1]
INDEX: 2.1452 FIToFICstmrCdtTrf +CdtTrfTxInf ++RmtInf +++Strd ++++Invcr +++++Id +++++OrgId ++++++Othr ++++++Id	Name: Identification ISO Description: Identification assigned by an institution. Product Usage: This field is used to carry additional payment information such as Biller Identification/Merchant Identification in certain Bill Pay use cases XML Tag: <Id> Occurrence: [1..1] Length: 35
INDEX: 2.1485 FIToFICstmrCdtTrf +CdtTrfTxInf ++RmtInf +++Strd ++++Invcee	Name: Invoicee ISO Description: Identification of the party to whom an invoice is issued, when it is different from the debtor or ultimate debtor. Product Usage: The Invoicee is the debtor of the credit transfer, this field is used to carry identifications or account numbers related to the invoicee of the Credit Transfer (pacs.008). XML Tag: <Invcee> Occurrence: [0..1]
INDEX: 2.1509 FIToFICstmrCdtTrf +CdtTrfTxInf ++RmtInf +++Strd ++++Invcee +++++Id	Name: Identification ISO Description: Unique and unambiguous identification of a party. Product Usage: This element is used on a conditional basis for Identification of any other specific identifier of the ultimate receiver. XML Tag: <Id> Occurrence: [1..1]

Element	Details
INDEX: 2.1510 FIToFICstmrCdtTrf +CdtTrfTxInf ++RmtInf +++Strd ++++Invcee +++++Id +++++OrgId	Name: Organisation Identification ISO Description: Unique and unambiguous way to identify an organisation. XML Tag: <OrgId> Occurrence: [1..1]
INDEX: 2.1513 FIToFICstmrCdtTrf +CdtTrfTxInf ++RmtInf +++Strd ++++Invcee +++++Id +++++OrgId ++++++Othr	Name: Other ISO Description: Unique identification of an organisation, as assigned by an institution, using an identification scheme. XML Tag: <Othr> Occurrence: [1..1]
INDEX: 2.1514 FIToFICstmrCdtTrf +CdtTrfTxInf ++RmtInf +++Strd ++++Invcee +++++Id +++++OrgId ++++++Othr ++++++Id	Name: Identification ISO Description: Identification assigned by an institution. Product Usage: This field is used to carry additional payment information. XML Tag: <Id> Occurrence: [1..1] Length: 35

7.1.4 Referred Document Amount Usage in RTP Credit Transfers

The RTP Credit Transfer (pacs.008) message allows for up to three amounts to be present in the message. The amount that is being paid is always included as the Interbank Settlement Amount (which is always equal to the Total Interbank Settlement Amount). Two occurrences of Referred Document Amount are permitted to include additional information about the payment.

In commercial use cases, when the RTP Credit Transfer is being used to pay a specific invoice or multiple invoices, and a discount is taken from the gross amount of the invoices, two occurrences of Referred Document Amount should be used: one with the Type DSCT and one with the Type FULL. In these use cases, FULL is used to include the gross amount of the invoice(s) being paid. DSCT is used to include the sum of all discounts taken, and should always be the difference between the “FULL” amount and the “Interbank Settlement Amount”. See example below.

Company A is paying Company B \$11,000 for Invoices X, Y, and Z, which have a gross amount of \$11,600.

- Invoice X has a gross amount of \$5,000 and is eligible for a \$100 discount due to trading terms.
- Invoice Y has a gross amount of \$4,100 and is not eligible for any discount.
- Invoice Z has a gross amount of \$2,500 and is not eligible for any discount. However, Company A claims \$500 of breakage due to damaged goods received.

In the RTP Credit Transfer, Company A includes the following amounts:

- Interbank Settlement Amount (equal to Total Interbank Settlement Amount) = \$11,000
- Referred Document Amount, Type FULL = \$11,600
- Referred Document Amount, Type DSCT = \$600

Optionally, Company A provides detailed information about the discount taken on each invoice in a Remittance Advice (remt.001) message.

In consumer use cases, no amounts other than the Interbank Settlement Amount are expected to be used. RTP Customer Display Guidelines will only require the display of the Interbank Settlement Amount in consumer channels.

Finally, the Referred Document Amount Type “ORIG” should only be used to include the original amount of a Credit Transfer that is being returned, if the amount being returned is different from the amount of the Original Credit Transfer.

7.1.5 INTERBANK SETTLEMENT DATE IN CREDIT TRANSFER MESSAGES

ISO 20022 requires the presence of an Interbank Settlement Date within all pacs.008 (Credit Transfer) messages. TCH defines the usage of this element within RTP Credit Transfer messages as follows:

- “Date of the Reconciliation Window within which this transaction is processed and settled. If a message starts being processed at the end of a Reconciliation Window and during processing crosses into another Reconciliation Window, the date of the Reconciliation Window during which the process started will be used.”

Because the ISO standard requires this field to be present in all pacs.008 messages, when a Debtor FI submits a Credit Transfer message to RTP, the Debtor FI should include the current date in this field. When RTP receives the inbound pacs.008 request message from the Debtor FI, the system will overwrite the Interbank Settlement Date and Clearing System Reference fields with the information for the system’s current Reconciliation Window to which the transaction will be assigned and reported. This date will correspond to the calendar day on which the current Reconciliation Window is scheduled to end.

The overwritten value for Interbank Settlement Date and Clearing System Reference will be populated in the RTP-outbound pacs.008 message to the Creditor FI and the RTP-outbound pacs.002 response messages to the Debtor FI and Creditor FI, as applicable, so that all parties are aware of the Reconciliation Window in which the transaction will be reported.

Given that within RTP, each transaction is settled individually in real-time when the system receives a positive pacs.002 from the Creditor FI, participants should not depend on the Interbank Settlement Date as a date on which the transaction settled or posted to an account, as this date may actually be different than the calendar day on which the transaction completes.

For example, if RTP has a scheduled Reconciliation Window for each calendar day at 23:00:00, any transaction received between the start of the reconciliation window (23:00:00 on Day 0) and the end of the Reconciliation Window (22:59:59 on Day 1), will include an Interbank Settlement Date with a value reflecting Day 1. Therefore, any transaction received on Day 0 between 23:00:00 and 23:59:59 will have an Interbank Settlement Date for the following calendar day (Day 1).

8 MESSAGE STRUCTURE SPECIFICATION MESSAGE STATUS REPORT

8.1 Message Status Report – pacs.002.001.10

This chapter defines the standard product message formats used by the TCH Real Time Payment system (RTP) for sending and receiving Message Status Reports, between the RTP and Participants using the System.

This covers the following:

- The message structure of the pacs.002 message used in RTP
- The required data types and usage rules of the data fields in these messages

8.1.1 Scope

The “FI To FI Payment Status Report” message is used for different functions in RTP.

- Message Status Report of Credit Transfer (pacs.008) and FI to FI Credit Transfer (pacs.009)
- Message Status Report to all Payment-related Messages

Usage of Message Status Report as Response to Credit Transfer and FI to FI Credit Transfer

The Message Status Report sent in response to a Credit Transfer Message and FI to FI Credit Transfer Message provides information about the outcome of the transaction (i.e. Accepted, Accepted w/o Posting, or Rejected). After RTP forwards on the Credit Transfer or FI to FI Credit Transfer to the Creditor FI, the Creditor FI should respond with a Message Status Report (pacs.002) prior to expiry of the time-out period. Upon receipt of the Message Status Report from the Creditor FI, RTP will forward the Message Status Report (pacs.002) to update the Debtor FI on the status of the transaction. If the original Credit Transfer or FI to FI Credit Transfer fails business validation or times out (response not received from Creditor FI prior to expiry of the time-out period), RTP will initiate a Message Status Report back to the Debtor FI notifying them of the outcome of the transaction (RJCT) and the reason for the reject.

Upon receipt of a positive Message Status Report (including status ACTC or ACWP) from the Creditor FI, RTP sends a Message Status Report (pacs.002) to the Creditor FI to notify them that the system has completed processing the transaction and that the funds can be released to the customer or FI.

Usage of Message Status Report for Payment-related Message

The Message Status Report (pacs.002) is used to provide a real time response to all Payment-related messages. The pacs.002 will confirm that the message has been received and whether or

not it passed business validation. As such, the Message Status Report is effectively a “technical” response. Where a Payment-related message has been accepted by the receiving party, a subsequent “business” response may also be required in order to fulfil the request contained within the message, or to advise that the request is being declined.

The full list of Payment-related Messages is as follows:

Message Description	ISO Schema
Message Status Report	pacs.002.001.10
Request for Payment	pain.013.001.07
Response to Request for Payment	pain.014.001.07
System Time-out Message & Request for Return of Funds	camt.056.001.08
Response to Request for Return of Funds	camt.029.001.09
Stand-alone Remittance Advice	remt.001.001.04
Request for Information	camt.026.001.07
Response to Request for Information	camt.028.001.09
Payment Acknowledgement	camt.035.001.05
Message Status Request	pacs.028.001.03
Token Identification	acmt.022.001.02

Message Status Report Data Source

The following table specifies the fields present in an original request message that must be mapped to fields in the Message Status Report (pacs.002).

Message	Message Status Report (pacs.002) fields									
	Original Message Identification	Original Message Name	Original Creation Date Time	Original Number of Transaction	Original Instruction Identification	Original Transaction Identification	Instructing Agent ⁴ (field Member Identification or Identification) ⁵	Instructed Agent ⁶ (field Member Identification or Identification)	Interbank Settlement Amount	Interbank Settlement Date
Credit Transfer	Group Header / Message Identification	fix 'pacs.008.001.08'	Group Header / Creation Date Time	fix '1'	Credit Transfer Transaction Information / Payment Identification / Instruction Identification	Credit Transfer Transaction Information / Payment Identification / Transaction Identification	Credit Transfer Transaction Information / Instructed Agent	Credit Transfer Transaction Information / Instructing Agent	Credit Transfer Transaction Information / Interbank Settlement Amount	Group Header / Interbank Settlement Date
FI to FI Credit Transfer	Group Header / Message Identification	fix 'pacs.009.001.08'	Group Header / Creation Date Time	fix '1'	Credit Transfer Transaction Information / Payment Identification / Instruction Identification	Credit Transfer Transaction Information / Payment Identification / Transaction Identification	Credit Transfer Transaction Information / Instructed Agent	Credit Transfer Transaction Information / Instructing Agent	Credit Transfer Transaction Information / Interbank Settlement Amount	Group Header / Interbank Settlement Date

⁴ **Member Identification** under Financial Institution Identification / Clearing System Identification; **Identification** under Identification / Organisation Identification / Other

⁵ In case of reject by the system the Instructing Agent will be RTP

⁶ **Member Identification** under Financial Institution Identification / Clearing System Identification; **Identification** under Identification / Organisation Identification / Other

Message Status Report (pacs.002) fields										
Message	Original Message Identification	Original Message Name	Original Creation Date Time	Original Number of Transaction	Original Instruction Identification	Original Transaction Identification	Instructing Agent ⁷ (field Member Identification or Identification) ⁸	Instructed Agent ⁹ (field Member Identification or Identification)	Interbank Settlement Amount	Interbank Settlement Date
Request for Payment	Group Header / Message Identification	fix 'pain.013.001.07'	Group Header / Creation Date Time	fix '1'	Payment Information / Payment Information Identification	n/a	Payment Information / Debtor Agent	Group Header / Initiating Party / Identification	Payment Information / Credit Transfer Transaction / Amount / Instructed Amount	n/a/
Response to Request for Payment	Group Header / Message Identification	fix 'pain.014.001.07'	Group Header / Creation Date Time	fix '1'	Original Payment Information and Status / Original Payment Information Identification	n/a	Payment Information / Credit Transfer Transaction / Creditor Agent	Group Header / Initiating Party / Identification	n/a	n/a
Payment Acknowledgement	Assignment / Identification	fix 'camt.035.001.05'	Assignment / Creation Date Time	fix '1'	Proprietary Data / Data / Original Reference / Instruction Identification	Proprietary Data / Data / Original Reference / Transaction Identification	Assignment / Assignee / Agent	Assignment / Assigner / Agent	n/a	n/a

⁷ **Member Identification** under Financial Institution Identification / Clearing System Identification; **Identification** under Identification / Organisation Identification / Other

⁸ In case of reject by the system the Instructing Agent will be RTP

⁹ **Member Identification** under Financial Institution Identification / Clearing System Identification; **Identification** under Identification / Organisation Identification / Other

Message Status Report (pacs.002) fields										
Message	Original Message Identification	Original Message Name	Original Creation Date Time	Original Number of Transaction	Original Instruction Identification	Original Transaction Identification	Instructing Agent ¹⁰ (field Member Identification or Identification) ¹¹	Instructed Agent ¹² (field Member Identification or Identification)	Interbank Settlement Amount	Interbank Settlement Date
Request for Return of Funds	Assignment / Identification	fix 'camt.056.001.08'	Assignment / Creation Date Time	fix '1'	Underlying / Transaction Information / Original Instruction Identification	Underlying / Transaction Information / Original Transaction Identification	Assignment / Assignee / Agent	Assignment / Assigner / Agent	Underlying / Transaction Information / Original Interbank Settlement Amount	Underlying / Transaction Information / Original Interbank Settlement Date
Response to Request for Return of Funds	Assignment / Identification	fix 'camt.029.001.09'	Assignment / Creation Date Time	fix '1'	Cancellation Details / Original Group Information and Status / Resolved Case / Identification	n/a	Assignment / Assignee / Agent	Assignment / Assigner / Agent	n/a	n/a
Request for Information (related to pacs.008)	Assignment / Identification	fix 'camt.026.001.07'	Assignment / Creation Date Time	fix '1'	Underlying / Interbank / Original Instruction Identification	Underlying / Interbank / Original Transaction Identification	Assignment / Assignee / Agent	Assignment / Assigner / Agent	Underlying / Interbank / Original Interbank Settlement Amount	Underlying / Interbank / Original Interbank Settlement Date
Request for Information (related to pain.013)	Assignment / Identification	fix 'camt.026.001.07'	Assignment / Creation Date Time	fix '1'	Underlying / Initiation / Original Payment Information Identification	n/a	Assignment / Assignee / Agent	Assignment / Assigner / Agent	Underlying / Initiation / Original Instructed Amount	Underlying / Initiation / Requested Execution Date / Date or Date Time

¹⁰ **Member Identification** under Financial Institution Identification / Clearing System Identification; **Identification** under Identification / Organisation Identification / Other

¹¹ In case of reject by the system the Instructing Agent will be RTP

¹² **Member Identification** under Financial Institution Identification / Clearing System Identification; **Identification** under Identification / Organisation Identification / Other

Message Status Report (pacs.002) fields										
Message	Original Message Identification	Original Message Name	Original Creation Date Time	Original Number of Transaction	Original Instruction Identification	Original Transaction Identification	Instructing Agent ¹³ (field Member Identification or Identification) ¹⁴	Instructed Agent ¹⁵ (field Member Identification or Identification)	Interbank Settlement Amount	Interbank Settlement Date
Response to Request for Information (related to pacs.008)	Assignment / Identification	fix 'camt.028.001.09'	Assignment / Creation Date Time	fix '1'	Underlying / Interbank / Original Instruction Identification	Underlying / Interbank / Original Transaction Identification	Assignment / Assignee / Agent	Assignment / Assigner / Agent	Underlying / Interbank / Original Interbank Settlement Amount	Underlying / Interbank / Original Interbank Settlement Date
Response to Request for Information (related to pain.013)	Assignment / Identification	fix 'camt.028.001.09'	Assignment / Creation Date Time	fix '1'	Underlying / Initiation / Original Payment Information Identification	n/a	Assignment / Assignee / Agent	Assignment / Assigner / Agent	Underlying / Initiation / Original Instructed Amount	Underlying / Initiation / Requested Execution Date / Date or DateTime
Confirmation of Response to Credit Transfer	Group Header / Message Identification	fix 'pacs.002.001.10'	Group Header / Creation Date Time	fix '1'	Transaction Information and Status / Original Instruction Identification	Transaction Information and Status / Original Transaction Identification	Transaction Information and Status / Instructing Agent	Transaction Information and Status / Instructed Agent	Transaction Information and Status / Original Transaction Reference / Interbank Settlement Amount	Transaction Information and Status / Original Transaction Reference / Interbank Settlement Date (if available)

¹³ **Member Identification** under Financial Institution Identification / Clearing System Identification; **Identification** under Identification / Organisation Identification / Other

¹⁴ In case of reject by the system the Instructing Agent will be RTP

¹⁵ **Member Identification** under Financial Institution Identification / Clearing System Identification; **Identification** under Identification / Organisation Identification / Other

Message Status Report (pacs.002) fields										
Message	Original Message Identification	Original Message Name	Original Creation Date Time	Original Number of Transaction	Original Instruction Identification	Original Transaction Identification	Instructing Agent ¹³ (field Member Identification or Identification) ¹⁴	Instructed Agent ¹⁵ (field Member Identification or Identification)	Interbank Settlement Amount	Interbank Settlement Date
Status Request (if the referenced pacs.008 or pain.013 is found)	Group Header / Message Identification of the Status Request (pacs.028)	fix 'pacs.008.001.08 or Pain.013.001.07' Note: In Business Application Header - set CpyDplct to COPY	Group Header / Creation Date Time	fix '1'	Transaction Information and Status / Original Instruction Identification of the pacs.008 or pain.013	Transaction Information and Status / Original Transaction Identification of the pacs.008 or pain.013	Transaction Information and Status / Instructing Agent	Transaction Information and Status / Instructed Agent	Transaction Information and Status / Original Transaction Reference / Interbank Settlement Amount	Transaction Information and Status / Original Transaction Reference / Interbank Settlement Date (if available)
Status Request (if the referenced pacs.008 or pain.013 is NOT found)	Group Header / Message Identification of the Status Request (pacs.028)	fix 'pacs.028.001.03'	Group Header / Creation Date Time	fix '1'	Transaction Information and Status / Original Instruction Identification of the pacs.028	Transaction Information and Status / Original Transaction Identification of the pacs.028	Transaction Information and Status / Instructing Agent	Transaction Information and Status / Instructed Agent	Transaction Information and Status / Original Transaction Reference / Interbank Settlement Amount	Transaction Information and Status / Original Transaction Reference / Interbank Settlement Date (if available)
Token Identification	Assignment / Message Identification	fix 'acmt.022.001.02'	Assignment / Creation Date Time	fix '1'	Modification / Identification	n/a	Assignment / Assignee / Agent	Assignment / Assigner / Agent	n/a	n/a
Stand-alone Remittance Advice (with pacs.008)	Group Header / Message Identification	fix 'remt.001.001.04'	Group Header / Creation Date Time	fix '1'	Original Payment Information / References / Instruction Identification	Original Payment Information / References / Transaction Identification	Group Header / Message Recipient / Identification	Group Header / Initiating Party / Identification	Remittance Information / Original Payment Information / Amount / Instructed Amount	n/a

Message Status Report (pacs.002) fields										
Message	Original Message Identification	Original Message Name	Original Creation Date Time	Original Number of Transaction	Original Instruction Identification	Original Transaction Identification	Instructing Agent ¹³ (field Member Identification or Identification) ¹⁴	Instructed Agent ¹⁵ (field Member Identification or Identification)	Interbank Settlement Amount	Interbank Settlement Date
Stand-alone Remittance Advice (with pain.013)	Group Header / Message Identification	fix 'remt.001.001.04'	Group Header / Creation Date Time	fix '1'	Original Payment Information / References / Payment Information Identification	Original Payment Information / References / Transaction Identification	Group Header / Message Recipient / Identification	Group Header / Initiating Party / Identification	Remittance Information / Original Payment Information / Amount / Instructed Amount	n/a

8.1.2 Message Structure Description

Index	XML Tag	Element Name	Occurr.	Length	M/O/C
	FItoFIPmtStsRpt	FIto FIPayment Status Report V10	[1..1]		M
1.0	GrpHdr	Group Header	[1..1]		M
1.1	MsgId	Message Identification	[1..1]	35	M
1.2	CreDtTm	Creation Date Time	[1..1]	19	M
2.0	OrgnlGrpInfAndSts	Original Group Information And Status	[1..1]		M
2.1	OrgnlMsgId	Original Message Identification	[1..1]	35	M
2.2	OrgnlMsgNmId	Original Message Name Identification	[1..1]	35	M
2.3	OrgnlCreDtTm	Original Creation Date Time	[1..1]	19	M
2.4	OrgnlNbOfTxS	Original Number Of Transactions	[1..1]	1	M
3.0	TxInfAndSts	Transaction Information And Status	[1..1]		M
3.6	OrgnlInstrId	Original Instruction Identification	[1..1]	35	M
3.8	OrgnlTxId	Original Transaction Identification	[0..1]	35	C
3.9	OrgnlUETR	Original UETR	[0..1]	36	O
3.10	TxSts	Transaction Status	[1..1]	4	M
3.11	StsRsnInf	Status Reason Information	[0..1]		O
3.74	Rsn	Reason	[0..1]		O
3.75	{Or	Cd	[1..1]	4	C
3.76	Or}	Prtry	[1..1]	4	C
3.77	AddtlInf	Additional Information	[0..1]	105	O
3.145	AcptncDtTm	Acceptance Date Time	[1..1]	19	M
3.150	ClrSysRef	Clearing System Reference	[0..1]	35	C
3.151	InstgAgt	Instructing Agent	[1..1]		M
3.152	FinInstnId	Financial Institution Identification	[1..1]		M
3.154	ClrSysMmbld	Clearing System Member Identification	[1..1]		M
3.158	Mmbld	Member Identification	[1..1]	9	M
3.215	InstdAgt	Instructed Agent	[1..1]		M
3.216	FinInstnId	Financial Institution Identification	[1..1]		M
3.218	ClrSysMmbld	Clearing System Member Identification	[1..1]		M
3.222	Mmbld	Member Identification	[1..1]	9	M
3.279	OrgnlTxRef	Original Transaction Reference	[0..1]		C
3.280	IntrBkSttlmAmt	Interbank Settlement Amount	[0..1]	18	C
3.281	Ccy	Currency	[required]	3	M
3.289	IntrBkSttlmDt	Interbank Settlement Date	[0..1]	10	C

8.1.3 Detail Message Field Description

Note:

To identify which business purpose the pacs.002 message is being used to support, two different product usages are provided:

- Product Usage – Credit Transfer to describe functionality relating to Message Status Report of Credit Transfer (pacs.008) and FI to FI Credit Transfer
- Product Usage – Payment Related Messages to describe functionality relating to all other Messages using the Message Status Report.

Element	Details
FIToFIPmtStsRpt	<p>Name: FITo FIPayment Status Report V10</p> <p>Product Usage: The FIToFIPaymentStatus Report message (Status Report) is used to provide information about the status (i.e. accept, pend or reject) of a Credit Transfer instruction . RTP will use the Status Report message to update the Debtor FI on the transaction status of an original credit transfer. This Status Report message can be either initiated by the Creditor FI (RTP acts as intermediary) or RTP (RTP reject).</p> <p>Refer to the Credit Transfer request message (pacs.008) to provide the basis for the 'Original' data elements.</p> <p>XML Tag: <FIToFIPmtStsRpt></p> <p>Occurrence: [1..1]</p>
<p>INDEX: 1.0</p> <p>FIToFIPmtStsRpt +GrpHdr</p>	<p>Name: Group Header</p> <p>ISO Description: Set of characteristics shared by all individual transactions included in the status report message.</p> <p>XML Tag: <GrpHdr></p> <p>Occurrence: [1..1]</p>
<p>INDEX: 1.1</p> <p>FIToFIPmtStsRpt +GrpHdr ++MsgId</p>	<p>Name: Message Identification</p> <p>ISO Description: Point to point reference, as assigned by the instructing party, and sent to the next party in the chain to unambiguously identify the message. Usage: The instructing party has to make sure that MessageIdentification is unique per instructed party for a pre-agreed period.</p> <p>Product Usage: Assigned by the Instructing Agent (Creditor FI or RTP). The Instructing Agent (or the System if originated by RTP in a system reject scenario) must ensure the uniqueness of this Message Identification.</p> <p>XML Tag: <MsgId></p> <p>Occurrence: [1..1]</p> <p>Format: MYYYYMMDDbbbbbbbbbbBAAAnnnnnnnnnn Pos. 01-01 - Prefix 'M' Pos. 02-09 - File creation date in format YYYYMMDD Pos. 10-20 - Participant ID (11 characters) Pos. 21-21 - Message generation source ("B" if generated by a Participant; 'H' if generated by RTP) Pos. 22-24 - Discretionary bank field (3 digit alpha numeric that can be used to serialize, identify specific systems, etc.) Pos. 25-35 - Message serial number (11 numeric characters)</p> <p>RegEx: M[0-9]{4}(((01 03 05 07 08 10 12)((0[1-9]) ([1-2][0-9]) (3[0-1])) ((04 06 09 11)((0[1-9]) ([1-2][0-9]) 30)) ((02)((0[1-9]) ([1-2][0-9])))))[A-Z0-9]{11}.*</p> <p>Length: 35</p> <p>Rule(s): The first 20 characters of the Message ID (positions 01-20) are validated for structural alignment according to the format specification.</p>

Element	Details
	<p>Reason Code(s): In case of structural failure the RTP Network will reject with code '650' in Administration Advice message (admi.002).</p> <p>Note(s): Where RTP is the intermediary, the Message Identification in the message received by the System from the Instructing Agent (Creditor FI) is passed untouched by the System to the Instructed Agent (Debtor FI). Where RTP is generating the pacs.002 message the Message Identification is generated by the system (identified with 'H' on the 19th position). Note the message identification for the original request message (the Payment or Payment Related Message) is different than the message identification for the corresponding pacs.002 (Message Status Report) message.</p> <p>Example: M2017111202001000101BMSR0000000002</p>
<p>INDEX: 1.2 FIToFIPmtStsRpt +GrpHdr ++CreDtTm</p>	<p>Name: Creation Date Time</p> <p>ISO Description: Date and time at which the message was created.</p> <p>XML Tag: <CreDtTm></p> <p>Occurrence: [1..1]</p> <p>Format: YYYY-MM-DDThh:mm:ss</p> <p>Length: 19</p> <p>Note(s): The date is required to be set to Eastern Time (ET).</p> <p>Example: 2017-11-12T10:05:20</p>
<p>INDEX: 2.0 FIToFIPmtStsRpt +OrgnlGrpInfAndSts</p>	<p>Name: Original Group Information And Status</p> <p>ISO Description: Original group information concerning the group of transactions, to which the status report message refers to.</p> <p>XML Tag: <OrgnlGrpInfAndSts></p> <p>Occurrence: [1..1]</p>
<p>INDEX: 2.1 FIToFIPmtStsRpt +OrgnlGrpInfAndSts ++OrgnlMsgId</p>	<p>Name: Original Message Identification</p> <p>ISO Description: Point to point reference, as assigned by the original instructing party, to unambiguously identify the original message.</p> <p>Product Usage: The Original Message ID of the Credit Transfer.</p> <p>XML Tag: <OrgnlMsgId></p> <p>Occurrence: [1..1]</p> <p>Format: Expected format: MYYYYMMDDbbbbbbbbbbBAAAnnnnnnnnnn Pos. 01-01 – Prefix 'M' Pos. 02-09 - File creation date in format YYYYYMMDD Pos. 10-20 - Participant ID (11 characters) Pos. 21-21 - Message generation source ("B" if generated by a Participant) Pos. 22-24 - Discretionary bank field (3 digit alpha numeric that can be used to serialize, identify specific systems, etc.) Pos. 25-35 - Message serial number (11 numeric characters)</p>

Element	Details
INDEX: 2.2 FIToFIPmtStsRpt +OrgnlGrplnfAndSts ++OrgnlMsgNmld	<p> Length: 35 Example: M2017111202120020101BTRF00000000011 </p> <p> Name: Original Message Name Identification ISO Description: Specifies the original message name identifier to which the message refers. Product Usage: Specifies the type of the original message, to which this pacs.002 message is a response. XML Tag: <OrgnlMsgNmld> Occurrence: [1..1] Length: 35 Reason Code(s): The RTP Network will reject with code '650' in Administration Advice message (admi.002) if Original Message Name Identification is not valid. Example: pacs.008.001.08 </p> <p> Permitted Codes </p> <ul style="list-style-type: none"> acmt.022.001.02 Token Identification camt.026.001.07 Unable to Apply (Request for Information) - V07 camt.028.001.09 Additional Payment Information (Response to Request for Information) - V09 camt.029.001.09 Resolution of Investigation (Response to Request for Return of Funds) - V09 camt.035.001.05 Payment Acknowledgement Receiver - V05 camt.056.001.08 Payment Cancellation (Request for Return of Funds or System Time-out) - V08 pacs.002.001.10 Message Status Report (Response to Business Messages) - V10 pacs.008.001.08 Credit Transfer - V08 pacs.009.001.08 FI to FI Credit Transfer - V08 pacs.028.001.03 Messge Status Request - V03 pain.013.001.07 Creditor Payment Activation Request (Request for Payment) - V07 pain.014.001.07 Creditor Payment Activation Request Status Request (Response to Request for Payment) - V07 remt.001.001.04 Stand-alone Remittance Advice - V04
INDEX: 2.3 FIToFIPmtStsRpt +OrgnlGrplnfAndSts ++OrgnlCreDtTm	<p> Name: Original Creation Date Time ISO Description: Date and time at which the original message was created. Product Usage: This date is referring to the original Credit Transfer. XML Tag: <OrgnlCreDtTm> Occurrence: [1..1] </p>

Element	Details
	<p>Format: YYYY-MM-DDThh:mm:ss</p> <p>Length: 19</p> <p>Reason Code(s): The RTP Network will reject with code '650' in Administration Advice message (admi.002) if not valid.</p> <p>Note(s): The date is required to be set to Eastern Time (ET).</p> <p>Example: 2017-11-12T10:05:00</p>
<p>INDEX: 2.4</p> <p>FItoFIPmtStsRpt +OrgnlGrpInfAndSts ++OrgnlNbOfTx</p>	<p>Name: Original Number Of Transactions</p> <p>ISO Description: Number of individual transactions contained in the original message.</p> <p>XML Tag: <OrgnlNbOfTx></p> <p>Occurrence: [1..1]</p> <p>RegEx: [1]{1,1}</p> <p>Length: 1</p> <p>Rule(s): Expected value is '1'.</p> <p>Reason Code(s): The RTP Network will reject with code '650' in Administration Advice message (admi.002) if value is not '1'.</p> <p>Example: 1</p>
<p>INDEX: 3.0</p> <p>FItoFIPmtStsRpt +TxInfAndSts</p>	<p>Name: Transaction Information And Status</p> <p>ISO Description: Information concerning the original transactions, to which the status report message refers.</p> <p>XML Tag: <TxInfAndSts></p> <p>Occurrence: [1..1]</p>
<p>INDEX: 3.6</p> <p>FItoFIPmtStsRpt +TxInfAndSts ++OrgnlInstrId</p>	<p>Name: Original Instruction Identification</p> <p>ISO Description: Unique identification, as assigned by the original instructing party for the original instructed party, to unambiguously identify the original instruction.</p> <p>Product Usage: The Instruction Identification of the Credit Transfer for which this message is the response.</p> <p>XML Tag: <OrgnlInstrId></p> <p>Occurrence: [1..1]</p> <p>Length: 35</p> <p>Note(s): This format is not structurally validated by the system, it is used to validate the relation to the original message for which this is the response.</p> <p>Example: 2017111202120020101BSTRF00000000011</p>
<p>INDEX: 3.8</p> <p>FItoFIPmtStsRpt +TxInfAndSts</p>	<p>Name: Original Transaction Identification</p> <p>ISO Description: Unique identification, as assigned by the original first instructing agent, to unambiguously identify the transaction.</p>

Element	Details
++OrgnlTxId	<p>Product Usage: The unique identifier, assigned by the first instructing agent to unambiguously identify the transaction that is passed on unchanged throughout the entire interbank chain.</p> <ul style="list-style-type: none"> - This is the Transaction Identification assigned by the Debtor FI. - If the Instructing Agent is the same as the Debtor FI, the Transaction Identification and Instruction Identification should be the same. - In case a Credit Transfer was initiated based on a Request for Payment (pain.013) message, this element is filled with the Payment Information Identification from the pain.013. <p>XML Tag: <OrgnlTxId></p> <p>Occurrence: [0..1]</p> <p>Length: 35</p> <p>Rule(s): The Transaction Identification is mandatory for the Message Status Report of Credit Transfer.</p> <p>Example: 2017111202120020101BSRFP00000000013</p>
<p>INDEX: 3.9</p> <p>FItoFIPmtStsRpt +TxInfAndSts ++OrgnlUETR</p>	<p>Name: Original UETR</p> <p>ISO Description: Universally unique identifier to provide the original end-to-end reference of a payment transaction.</p> <p>Product Usage: The UETR identifier is assigned by the instructing agent to link an RTP message to services or arrangements outside of the RTP network. If used, the same UETR should be passed on throughout the entire payment chain without being changed. The ability to include a UETR identifier in an RTP message does not mean that RTP messages can be used as part of a larger end-to-end transfer or as a cover payment. Readers should refer to the RTP Operating Rules to determine permissible uses of RTP messages.</p> <p>XML Tag: <OrgnlUETR></p> <p>Occurrence: [0..1]</p> <p>Length: 36</p> <p>RegEx: [a-f0-9]{8}-[a-f0-9]{4}-4[a-f0-9]{3}-[89ab][a-f0-9]{3}-[a-f0-9]{12}</p> <p>Example: eb6305c9-1f7f-49de-aed0-16487c27b42d</p>
<p>INDEX: 3.10</p> <p>FItoFIPmtStsRpt +TxInfAndSts ++TxSts</p>	<p>Name: Transaction Status</p> <p>ISO Description: Specifies the status of a transaction, in a coded form.</p> <p>Product Usage: The status of the item: ACTC, ACWP, or RJCT (see definitions for codes below).</p> <p>XML Tag: <TxSts></p> <p>Occurrence: [1..1]</p> <p>Length: 4</p> <p>Rule(s): Must be either 'RJCT', 'RCVD', 'ACWP' or 'ACTC'</p> <p>Reason Code(s): The RTP Network will reject with code '650' in Administration Advice message (admi.002) if invalid code.</p> <p>Note(s): For a message status report (pacs.002) in response to a camt.056 that is timing out a pacs.008, the code 'ACTC' must be used. For all other Payment Related Messages, code 'RCVD' must be used when processed without issues by the</p>

Element	Details
	<p>receiving agent.</p> <p>Example: ACTC</p>
	<p>Permitted Codes</p>
	<p>ACTC AcceptedTechnicalValidation - Payment has been accepted</p> <p>ACWP AcceptedWithoutPosting - Payment instruction included in the Credit Transfer is Accepted without being posted to the Creditor Customer's account. This is done so further checks and status update can be performed (e.g. AML/Fraud monitoring checks).</p> <p>RCVD Received - Payment Related Message has been received by the receiving agent.</p> <p>RJCT Rejected - Payment or Payment Related Message has been rejected.</p>
<p>INDEX: 3.11 FIToFIPmtStsRpt +TxInfAndSts ++StsRsnInf</p>	<p>Name: Status Reason Information</p> <p>ISO Description: Provides detailed information on the status reason.</p> <p>XML Tag: <StsRsnInf></p> <p>Occurrence: [0..1]</p>
<p>INDEX: 3.74 FIToFIPmtStsRpt +TxInfAndSts ++StsRsnInf +++Rsn</p>	<p>Name: Reason</p> <p>ISO Description: Specifies the reason for the status report.</p> <p>XML Tag: <Rsn></p> <p>Occurrence: [0..1]</p> <p>Note(s): Both the ISO reason codes and also proprietary codes are used. Either Element 'Code' or 'Proprietary' can be provided per transaction.</p>
<p>INDEX: 3.75 Choice: {Or FIToFIPmtStsRpt +TxInfAndSts ++StsRsnInf +++Rsn ++++Cd</p>	<p>Name: Code</p> <p>ISO Description: Reason for the status, as published in an external reason code list.</p> <p>Product Usage: A code signifying reason for the rejection of the original message in ISO format.</p> <p>XML Tag: <Cd></p> <p>Occurrence: [1..1]</p> <p>Length: 4</p> <p>Rule(s): Only present if the transaction status is 'RJCT'.</p> <p>Note(s): See the agreed Reason Codes for usage with pacs.002 in the Appendix section. If Code 'NARR' is used, Additional Reason Information must include a description of the error condition that caused the reject.</p> <p>Example: RC03</p>
<p>INDEX: 3.76</p>	<p>Name: Proprietary</p>

Element	Details
Choice: Or} FIToFIPmtStsRpt +TxInfAndSts ++StsRsnInf +++Rsn ++++Prtry	<p>ISO Description: Reason for the status, in a proprietary form.</p> <p>Product Usage: A code signifying reason for the rejection of the original message.</p> <p>XML Tag: <Prtry></p> <p>Occurrence: [1..1]</p> <p>Length: 4</p> <p>Rule(s): Only present if the transaction status is 'RJCT'.</p> <p>Note(s): See the agreed Reason Codes for usage with pacs.002 in the Appendix section. If Proprietary code '1100' is used, Additional Reason Information must include a description of the error condition that caused the reject.</p> <p>Example: 1100</p> <p>Permitted Codes</p> <p>1100 Any Other Reasons - i.e. not covered by ISO reason codes.</p> <p>9909 IPS Switch system malfunction</p> <p>9910 Instructed Agent signed-off</p> <p>9912 Rvc Participant not available</p> <p>9914 Element mandatory if Local Instrument = ZELLE</p> <p>9934 Instructing Agent signed-off</p> <p>9946 Instructing Agent suspended</p> <p>9947 Instructed Agent suspended</p> <p>9948 Service suspended</p> <p>9952 Mapping Incompatibility between message versions</p> <p>9953 Not used</p> <p>9954 Instruction for Creditor Agent missing</p> <p>9956 Instructing Agent Funding Account Suspended</p> <p>9957 Instructed Agent Funding Account Suspended</p> <p>9964 Invalid Participant Identification</p> <p>NOAT Message Type not supported or accepted</p>
INDEX: 3.77 FIToFIPmtStsRpt +TxInfAndSts ++StsRsnInf	<p>Name: Additional Information</p> <p>ISO Description: Further details on the status reason.</p> <p>Usage: Additional information can be used for several purposes such as the reporting of repaired information.</p>

Element	Details
+++AddtlInf	<p>Product Usage: Additional information for 'Any Other Reasons' Reason Code.</p> <p>XML Tag: <AddtlInf></p> <p>Occurrence: [0..1]</p> <p>Length: 105</p> <p>Rule(s): Only applicable for Reason Codes: - 1100 – Any Other Reasons - NARR - Narrative</p> <p>Reason Code(s): The RTP Network will reject with code '650' in Administration Advice message (admi.002) if XML parsing error, otherwise not checked.</p> <p>Example: Additional Information for reject reason</p>
INDEX: 3.145 FIToFIPmtStsRpt +TxInfAndSts ++AcptncDtTm	<p>Name: Acceptance Date Time</p> <p>ISO Description: Point in time when the payment order from the initiating party meets the processing conditions of the account servicing agent. This means that the account servicing agent has received the payment order and has applied checks such as authorisation, availability of funds.</p> <p>Product Usage: Point in time when the instruction from the Instructing Agent (Debtor FI) has been dispositioned by the Instructed Agent (Creditor FI).</p> <p>XML Tag: <AcptncDtTm></p> <p>Occurrence: [1..1]</p> <p>Format: YYYY-MM-DDThh:mm:ss</p> <p>Length: 19</p> <p>Note(s): The date is required to be set to Eastern Time (ET). Acceptance Date Time must be present in the pacs.002 message status response even if the Status is ACWP or RJCT.</p> <p>Example: 2017-11-12T10:05:10</p>
INDEX: 3.150 FIToFIPmtStsRpt +TxInfAndSts ++ClrSysRef	<p>Name: Clearing System Reference</p> <p>ISO Description: Unique reference, as assigned by a clearing system, to unambiguously identify the instruction.</p> <p>Product Usage: Identification of the Reconciliation Window within which this transaction is processed. Can only be supplied by RTP. The Creditor FI should echo the value supplied in the pacs.008 message back to RTP in the response to a Credit Transfer message.</p> <p>XML Tag: <ClrSysRef></p> <p>Occurrence: [0..1]</p> <p>Length: 35</p> <p>Rule(s): The Clearing System Reference is applicable if Transaction Status is 'ACTC' or 'ACWP'.</p>

Element	Details
	<p>Reason Code(s): The RTP Network will reject with code '650' in Administration Advice message (admi.002) if XML parsing error, otherwise not checked.</p> <p>Note(s): The receiving participant must only include The Clearing System Reference for pacs.002 messages when in response to a pacs.008 or a camt.056 cancelling a pacs.008.</p> <p>Example: 001</p>
<p>INDEX: 3.151 FIToFIPmtStsRpt +TxInfAndSts ++InstgAgt</p>	<p>Name: Instructing Agent</p> <p>ISO Description: Agent that instructs the next party in the chain to carry out the (set of) instruction(s).</p> <p>Usage: The instructing agent is the party sending the status message and not the party that sent the original instruction that is being reported on.</p> <p>Product Usage: The instructing agent is the party sending the status message and not the party that sent the original instruction that is being reported on.</p> <p>XML Tag: <InstgAgt></p> <p>Occurrence: [1..1]</p>
<p>INDEX: 3.152 FIToFIPmtStsRpt +TxInfAndSts ++InstgAgt +++FinInstnId</p>	<p>Name: Financial Institution Identification</p> <p>ISO Description: Unique and unambiguous identification of a financial institution, as assigned under an internationally recognised or proprietary identification scheme.</p> <p>XML Tag: <FinInstnId></p> <p>Occurrence: [1..1]</p>
<p>INDEX: 3.154 FIToFIPmtStsRpt +TxInfAndSts ++InstgAgt +++FinInstnId ++++ClrSysMmbld</p>	<p>Name: Clearing System Member Identification</p> <p>ISO Description: Information used to identify a member within a clearing system.</p> <p>XML Tag: <ClrSysMmbld></p> <p>Occurrence: [1..1]</p>
<p>INDEX: 3.158 FIToFIPmtStsRpt +TxInfAndSts ++InstgAgt +++FinInstnId ++++ClrSysMmbld +++++Mmbld</p>	<p>Name: Member Identification</p> <p>ISO Description: Identification of a member of a clearing system.</p> <p>Product Usage: Identification of the Instructing Agent (Creditor FI) for this Message Status Report of Credit Transfer (pacs.002) message.</p> <p>XML Tag: <Mmbld></p> <p>Occurrence: [1..1]</p> <p>Format: 9 character Routing and Transit Number (alphabetic characters may be present)</p> <p>Length: 9</p>

Element	Details
	<p>Rule(s): For Message Status Report of Credit Transfer Member Identification must be:</p> <ul style="list-style-type: none"> - Identical to the Member Identification of the Instructed Agent (Creditor FI) of the original Credit Transfer message (pacs.008) - A valid 9 character Routing and Transit Number <p>Reason Code(s): For Message Status Report of Credit Transfer the RTP Network will reject with code '650' in Administration Advice message (admi.002) if Routing and Transit Number is invalid or not identical to the RT of the Creditor FI from the pacs.008.</p> <p>Example: 020010001</p>
<p>INDEX: 3.215 FIToFIPmtStsRpt +TxInfAndSts ++InstdAgt</p>	<p>Name: Instructed Agent</p> <p>ISO Description: Agent that is instructed by the previous party in the chain to carry out the (set of) instruction(s).</p> <p>Usage: The instructed agent is the party receiving the status message and not the party that received the original instruction that is being reported on.</p> <p>Product Usage: The Instructed Agent is the party receiving the status message and not the party that received the original instruction that is being reported on.</p> <p>XML Tag: <InstdAgt></p> <p>Occurrence: [1..1]</p>
<p>INDEX: 3.216 FIToFIPmtStsRpt +TxInfAndSts ++InstdAgt +++FinInstnId</p>	<p>Name: Financial Institution Identification</p> <p>ISO Description: Unique and unambiguous identification of a financial institution, as assigned under an internationally recognised or proprietary identification scheme.</p> <p>XML Tag: <FinInstnId></p> <p>Occurrence: [1..1]</p>
<p>INDEX: 3.218 FIToFIPmtStsRpt +TxInfAndSts ++InstdAgt +++FinInstnId ++++ClrSysMmbld</p>	<p>Name: Clearing System Member Identification</p> <p>ISO Description: Information used to identify a member within a clearing system.</p> <p>XML Tag: <ClrSysMmbld></p> <p>Occurrence: [1..1]</p>
<p>INDEX: 3.222 FIToFIPmtStsRpt +TxInfAndSts ++InstdAgt +++FinInstnId ++++ClrSysMmbld</p>	<p>Name: Member Identification</p> <p>ISO Description: Identification of a member of a clearing system.</p> <p>Product Usage: Identification of the Instructed Agent (Debtor FI) for this Message Status Report of Credit Transfer (pacs.002) message.</p> <p>XML Tag: <Mmbld></p> <p>Occurrence: [1..1]</p>

Element	Details
++++Mmbld	<p>Format: 9 character Routing and Transit Number (alphabetic characters may be present)</p> <p>Length: 9</p> <p>Rule(s): For Message Status Report of Credit Transfer Member Identification must be: - Identical to the Member Identification of the Instructing Agent (Debtor FI) of the original Credit Transfer (pacs.008) message - A valid 9 character Routing and Transit Number</p> <p>Reason Code(s): For Message Status Report of Credit Transfer - The RTP Network will reject with code '650' in Administration Advice message (admi.002) if Routing and Transit Number is invalid or not identical to the RT of the Debtor FI from the original pacs.008.</p> <p>Example: 021200201</p>
<p>INDEX: 3.279</p> <p>FItoFIPmtStsRpt +TxInfAndSts ++OrgnlTxRef</p>	<p>Name: Original Transaction Reference</p> <p>ISO Description: Key elements used to identify the original transaction that is being referred to.</p> <p>Product Usage: Must provide Interbank Settlement Amount and Interbank Settlement Date from the original Credit Transfer.</p> <p>XML Tag: <OrgnlTxRef></p> <p>Occurrence: [0..1]</p>
<p>INDEX: 3.280</p> <p>FItoFIPmtStsRpt +TxInfAndSts ++OrgnlTxRef +++IntrBkSttlmAmt</p>	<p>Name: Interbank Settlement Amount</p> <p>ISO Description: Amount of money moved between the instructing agent and the instructed agent.</p> <p>Product Usage: The total amount that the Debtor FI will be obligated to pay the Creditor FI upon the Creditor FI's acceptance of the payment instructed by the Credit Transfer (pacs.008) message.</p> <p>XML Tag: <IntrBkSttlmAmt></p> <p>Occurrence: [0..1]</p> <p>Rule(s): The number of fractional digits (or minor unit of currency) must comply with ISO 4217. Note: The decimal separator is a dot.</p> <p>Reason Code(s): The RTP Network will reject with code '650' in Administration Advice message (admi.002) if: - The value of this field is zero or less than zero - The value in this field is greater than supported by the ISO definition for the maximum number of digits (total 18 digit) - The currency code is not valid - The number of decimal digits is greater than the specified number of digits as defined by the ISO4217 definition</p> <p>Note(s): RTP is only supporting USD and the maximum decimal digits allowed are two.</p> <p>Example: 525.25</p> <p>Frac Digits: 2</p> <p>Total Digits: 18</p>

Element	Details
INDEX: 3.281	<p>Name: Currency</p> <p>ISO Description: A code allocated to a currency by a Maintenance Agency under an international identification scheme, as described in the latest edition of the international standard ISO 4217 "Codes for the representation of currencies and funds".</p> <p>XML Tag: <Ccy></p> <p>RegEx: [A-Z]{3,3}</p> <p>Length: 3</p> <p>Rule(s): The Currency Code must be registered, or have already been registered. Valid active or historic currency codes are registered with the ISO 4217 Maintenance Agency, consist of three (3) contiguous letters, and may be or not be withdrawn on the day the message containing the Currency is exchanged.</p> <p>Example: USD</p> <p>Permitted Codes</p> <p>USD US Dollar</p>
INDEX: 3.289 FIToFIPmtStsRpt +TxInfAndSts ++OrgnITxRef +++IntrBkSttlmDt	<p>Name: Interbank Settlement Date</p> <p>ISO Description: Date on which the amount of money ceases to be available to the agent that owes it and when the amount of money becomes available to the agent to which it is due.</p> <p>Product Usage: Interbank settlement date of the approved payment instruction from the original pacs.008 message.</p> <p>XML Tag: <IntrBkSttlmDt></p> <p>Occurrence: [0..1]</p> <p>Format: YYYY-MM-DD</p> <p>Length: 10</p> <p>Reason Code(s): The RTP Network will reject with code '650' in Administration Advice message (admi.002) if XML parsing error.</p> <p>Example: 2017-11-12</p>

9 MESSAGE STRUCTURE SPECIFICATION REQUEST FOR PAYMENT

9.1 Request for Payment – pain.013.001.07

This chapter defines the standard product message formats used within RTP for sending and receiving the Request for Payment message; between RTP and Participants using the system.

This chapter covers the following:

- The message structure of the pain.013
- The required data types and usage rules of the data fields in this messages

9.1.1 Scope

The Request for Payment (RFP) message (pain.013) is sent by the Creditor (sending party) to the Debtor (receiving party) through their respective FIs. This message is used to request the initiation of a payment from the party that receives the pain.013 message. The Debtor may choose to send a responsive payment as a Credit Transfer through the RTP network or through another means of payment.

Note: as the RFP is initiated by the Creditor, it does not follow a traditional Credit Transfer (pacs.008) message flow where the Debtor is the sending party and the Creditor is the receiving party.

If a Debtor FI has a message persona that supports receipt of RFPs, upon receipt of a pain.013 message, the Debtor FI must respond with a Message Status Report (pacs.002) confirming whether the request can be processed without issue (RCVD) or if an error occurred during processing (RJCT). If the Debtor FI responds positively to the RFP, it must present the RFP to the Debtor, allowing the Debtor to later send a business response (e.g. make a payment, schedule a payment, reject the request, or allow the request to expire). If the Debtor later schedules a payment or rejects the request, the Debtor FI must send a Response to Request for Payment message, notifying the Creditor of the outcome of the request.

9.1.2 Message Structure Description

Index	XML Tag	Element Name	Occurr.	Length	M/O/C
	CdtrPmtActivtnReq	Creditor Payment Activation Request V07	[1..1]		M
1.0	GrpHdr	Group Header	[1..1]		M
1.1	MsgId	Message Identification	[1..1]	35	M
1.2	CreDtTm	Creation Date Time	[1..1]	19	M
1.3	NbOfTxs	Number Of Transactions	[1..1]	1	M
1.5	InitgPty	Initiating Party	[1..1]		M
1.29	Id	Identification	[1..1]		M
1.30	OrgId	Organisation Identification	[1..1]		M
1.33	Othr	Other	[1..5]		M
1.34	Id	Identification	[1..1]	35	M
1.35	SchmeNm	Scheme Name	[0..1]		O
1.37	Prtry	Proprietary	[1..1]	35	M
2.0	PmtInf	Payment Information	[1..1]		M
2.1	PmtInfId	Payment Information Identification	[1..1]	35	M
2.2	PmtMtd	Payment Method	[1..1]	3	M
2.14	ReqdExctnDt	Requested Execution Date	[1..1]		M
2.15	{Or	Dt	[1..1]	10	C
2.16	Or}	DtTm	[1..1]	19	C
2.17	XpryDt	Expiry Date	[1..1]		M
2.18	{Or	Dt	[1..1]	10	C
2.19	Or}	DtTm	[1..1]	19	C
2.29	Dbtr	Debtor	[1..1]		M
2.30	Nm	Name	[1..1]	140	M
2.31	PstlAdr	Postal Address	[0..1]		O
2.40	StrtNm	Street Name	[1..1]	70	M
2.41	BldgNb	Building Number	[0..1]	16	O
2.46	PstCd	Post Code	[1..1]	16	M
2.47	TwNnm	Town Name	[1..1]	35	M
2.50	CtrySubDvsn	Country Sub Division	[1..1]	35	M
2.51	Ctry	Country	[1..1]	2	M
2.52	AdrLine	Address Line	[0..1]	70	O
2.53	Id	Identification	[0..1]		C
2.54	{Or	OrgId	[1..1]		C
2.56	Or}	LEI	[1..1]	20	M
2.63	Or}	PrvtId	[1..1]		C
2.64	DtAndPlcOfBirth	Date And Place Of Birth	[1..1]		M
2.65	BirthDt	Birth Date	[1..1]	10	M
2.67	CityOfBirth	City Of Birth	[1..1]	35	M
2.68	CtryOfBirth	Country Of Birth	[1..1]	2	M
2.91	DbtrAcct	Debtor Account	[1..1]		M
2.92	Id	Identification	[1..1]		M
2.94	Othr	Other	[1..1]		M
2.95	Id	Identification	[1..1]	34	M
2.104	Nm	Name	[0..1]	70	O
2.105	Prxy	Proxy	[0..1]		O
2.109	Id	Identification	[1..1]	256	M
2.110	DbtrAgt	Debtor Agent	[1..1]		M

Index	XML Tag	Element Name	Occurr.	Length	M/O/C
2.111	FinInstnId	Financial Institution Identification	[1..1]		M
2.113	ClrSysMmbld	Clearing System Member Identification	[1..1]		M
2.117	Mmbld	Member Identification	[1..1]	9	M
2.174	UltmtDbtr	Ultimate Debtor	[0..1]		O
2.175	Nm	Name	[1..1]	140	M
2.176	PstlAdr	Postal Address	[0..1]		O
2.185	StrtNm	Street Name	[1..1]	70	M
2.186	BldgNb	Building Number	[0..1]	16	O
2.191	PstCd	Post Code	[1..1]	16	M
2.192	TwnNm	Town Name	[1..1]	35	M
2.195	CtrySubDvsn	Country Sub Division	[1..1]	35	M
2.196	Ctry	Country	[1..1]	2	M
2.197	AdrLine	Address Line	[0..1]	70	O
2.198	Id	Identification	[0..1]		C
2.199	{Or	OrgId	Organisation Identification	[1..1]	C
2.201	LEI	LEI	[0..1]	20	C
2.202	Othr	Other	[0..5]		O
2.203	Id	Identification	[1..1]	35	M
2.204	SchmeNm	Scheme Name	[0..1]		O
2.206	Prtry	Proprietary	[1..1]	35	M
2.208	Or}	PrvtId	Private Identification	[1..1]	C
2.209	DtAndPlcOfBirth	Date And Place Of Birth	[0..1]		O
2.210	BirthDt	Birth Date	[1..1]	10	M
2.212	CityOfBirth	City Of Birth	[1..1]	35	M
2.213	CtryOfBirth	Country Of Birth	[1..1]	2	M
2.214	Othr	Other	[0..5]		O
2.215	Id	Identification	[1..1]	35	M
2.216	SchmeNm	Scheme Name	[0..1]		O
2.218	Prtry	Proprietary	[1..1]	35	M
2.237	CdtTrfTx	Credit Transfer Transaction	[1..1]		M
2.238	PmtId	Payment Identification	[1..1]		M
2.239	InstrId	Instruction Identification	[0..1]	35	C
2.240	EndToEndId	End To End Identification	[1..1]	35	M
2.241	UETR	UETR	[0..1]	36	O
2.242	PmtPlnf	Payment Type Information	[1..1]		M
2.244	SvcLvl	Service Level	[1..1]		M
2.245	Cd	Code	[1..1]	4	M
2.247	LclInstrm	Local Instrument	[1..1]		M
2.249	Prtry	Proprietary	[1..1]	35	M
2.250	CtgyPurp	Category Purpose	[1..1]		M
2.252	Prtry	Proprietary	[1..1]	35	M
2.253	PmtCond	Payment Condition	[0..1]		O
2.254	AmtModAllwd	Amount Modification Allowed	[1..1]	5	M
2.255	EarlyPmtAllwd	Early Payment Allowed	[1..1]	5	M
2.261	GrntedPmtReqd	Guaranteed Payment Requested	[1..1]	5	M

Index	XML Tag	Element Name	Occurr.	Length	M/O/C
2.262	—Amt	Amount	[1..1]		M
2.263	—InstdAmt	Instructed Amount	[1..1]	18	M
2.264	—Ccy	Currency	[required]	3	M
2.269	—ChrgBr	Charge Bearer	[1..1]	4	M
2.585	—CdtrAgt	Creditor Agent	[1..1]		M
2.586	—FinInstnId	Financial Institution Identification	[1..1]		M
2.588	—ClrSysMmbld	Clearing System Member Identification	[1..1]		M
2.592	—Mmbld	Member Identification	[1..1]	9	M
2.649	—Cdtr	Creditor	[1..1]		M
2.650	—Nm	Name	[1..1]	140	M
2.651	—PstlAdr	Postal Address	[0..1]		O
2.660	—StrtNm	Street Name	[1..1]	70	M
2.661	—BldgNb	Building Number	[0..1]	16	O
2.666	—PstCd	Post Code	[1..1]	16	M
2.667	—TwnNm	Town Name	[1..1]	35	M
2.670	—CtrySubDvsn	Country Sub Division	[1..1]	35	M
2.671	—Ctry	Country	[1..1]	2	M
2.672	—AdrLine	Address Line	[0..1]	70	O
2.673	—Id	Identification	[0..1]		C
2.674	{Or	—OrgId	Organisation Identification	[1..1]	C
2.676	—LEI	LEI	[1..1]	20	M
2.683	Or}	—PrvtId	Private Identification	[1..1]	C
2.684	—DtAndPlcOfBirth	Date And Place Of Birth	[1..1]		M
2.685	—BirthDt	Birth Date	[1..1]	10	M
2.687	—CityOfBirth	City Of Birth	[1..1]	35	M
2.688	—CtryOfBirth	Country Of Birth	[1..1]	2	M
2.696	—CtctDtls	Contact Details	[0..1]		O
2.699	—PhneNb	Phone Number	[0..1]	35	O
2.711	—CdtrAcct	Creditor Account	[1..1]		M
2.712	—Id	Identification	[1..1]		M
2.714	—Othr	Other	[1..1]		M
2.715	—Id	Identification	[1..1]	34	M
2.724	—Nm	Name	[0..1]	70	O
2.730	—UltmtCdtr	Ultimate Creditor	[0..1]		O
2.731	—Nm	Name	[1..1]	140	M
2.732	—PstlAdr	Postal Address	[0..1]		O
2.741	—StrtNm	Street Name	[1..1]	70	M
2.742	—BldgNb	Building Number	[0..1]	16	O
2.747	—PstCd	Post Code	[1..1]	16	M
2.748	—TwnNm	Town Name	[1..1]	35	M
2.751	—CtrySubDvsn	Country Sub Division	[1..1]	35	M
2.752	—Ctry	Country	[1..1]	2	M
2.753	—AdrLine	Address Line	[0..1]	70	O
2.754	—Id	Identification	[0..1]		C
2.755	{Or	—OrgId	Organisation Identification	[1..1]	C
2.757	—LEI	LEI	[0..1]	20	C

Index	XML Tag	Element Name	Occurr.	Length	M/O/C
2.758	Othr	Other	[0..5]		O
2.759	Id	Identification	[1..1]	35	M
2.760	SchmeNm	Scheme Name	[0..1]		O
2.762	Prtry	Proprietary	[1..1]	35	M
2.764	Or} PrvtId	Private Identification	[1..1]		C
2.765	DtAndPlcOfBirth	Date And Place Of Birth	[0..1]		O
2.766	BirthDt	Birth Date	[1..1]	10	M
2.768	CityOfBirth	City Of Birth	[1..1]	35	M
2.769	CtryOfBirth	Country Of Birth	[1..1]	2	M
2.770	Othr	Other	[0..5]		O
2.771	Id	Identification	[1..1]	35	M
2.772	SchmeNm	Scheme Name	[0..1]		O
2.774	Prtry	Proprietary	[1..1]	35	M
2.792	InstrForCdtrAgt	Instruction For Creditor Agent	[0..5]		C
2.793	Cd	Code	[1..1]	4	M
2.794	InstrInf	Instruction Information	[1..1]	140	M
2.861	RltdRmtInf	Related Remittance Information	[0..1]		O
2.862	RmtId	Remittance Identification	[0..1]	35	C
2.863	RmtLctnDtls	Remittance Location Details	[0..1]		O
2.864	Mtd	Method	[1..1]	4	M
2.865	ElctrncAdr	Electronic Address	[1..1]	2048	M
2.890	RmtInf	Remittance Information	[0..1]		O
2.891	Ustrd	Unstructured	[0..1]	140	O
2.892	Strd	Structured	[0..1]		O
2.893	RfrdDocInf	Referred Document Information	[0..5]		O
2.894	Or} Tp	Type	[0..1]		O
2.895	CdOrPrtry	Code Or Proprietary	[1..1]		M
2.896	Cd	Code	[1..1]	4	C
2.897	Prtry	Proprietary	[1..1]	35	C
2.899	Nb	Number	[1..1]	35	M
2.900	RltdDt	Related Date	[0..1]	10	O
2.936	RfrdDocAmt	Referred Document Amount	[0..1]		O
2.939	DscntApldAmt	Discount Applied Amount	[0..3]		O
2.940	Tp	Type	[1..1]		M
2.942	Prtry	Proprietary	[1..1]	4	M
2.943	Amt	Amount	[1..1]	18	M
2.944	Ccy	Currency	[required]	3	M
2.968	Invcr	Invoicer	[0..1]		O
2.992	Id	Identification	[1..1]		M
2.993	OrgId	Organisation Identification	[1..1]		M
2.996	Othr	Other	[1..1]		M
2.997	Id	Identification	[1..1]	35	M
2.1030	Invcee	Invoicee	[0..1]		O
2.1054	Id	Identification	[1..1]		M
2.1055	OrgId	Organisation Identification	[1..1]		M

Index	XML Tag	Element Name	Occurr.	Length	M/O/C
2.1058	Othr	Other	[1..1]		M
2.1059	Id	Identification	[1..1]	35	M

9.1.3 Detail Message Field Description

Element	Details
CdtrPmtActvtnReq	<p>Name: Creditor Payment Activation Request V07</p> <p>ISO Description: The CreditorPaymentActivationRequest message is sent by the Creditor sending party to the Debtor receiving party, directly or through agents. It is used by a Creditor to request movement of funds from the debtor account to a creditor.</p> <p>XML Tag: <CdtrPmtActvtnReq></p> <p>Occurrence: [1..1]</p>
INDEX: 1.0 CdtrPmtActvtnReq +GrpHdr	<p>Name: Group Header</p> <p>ISO Description: Set of characteristics shared by all individual transactions included in the message.</p> <p>XML Tag: <GrpHdr></p> <p>Occurrence: [1..1]</p>
INDEX: 1.1 CdtrPmtActvtnReq +GrpHdr ++MsgId	<p>Name: Message Identification</p> <p>ISO Description: Point to point reference assigned by the instructing party and sent to the next party in the chain to unambiguously identify the message.</p> <p>Usage: The instructing party has to make sure that 'MessageIdentification' is unique per instructed party for a pre-agreed period.</p> <p>Product Usage: Assigned by the Instructing Agent (Creditor FI). The Instructing Agent (Creditor FI) must ensure the uniqueness of this message identification.</p> <p>XML Tag: <MsgId></p> <p>Occurrence: [1..1]</p> <p>Format: Format: MYYYYMMDDbbbbbbbbbbBAAAnnnnnnnnnn Pos. 01-01 - Prefix 'M' Pos. 02-09 - File creation date in format YYYYYMMDD Pos. 10-20 - Participant ID (11 characters) Pos. 21-21 - Message generation source ("B" if generated by a Participant) Pos. 22-24 - Discretionary bank field (3 digit alpha numeric that can be used to serialize, identify specific systems, etc.) Pos. 25-35 - Message serial number (11 numeric characters)</p> <p>RegEx: M[0-9]{4}(((01 03 05 07 08 10 12)((0[1-9]) ([1-2][0-9]) (3[0-1]))) ((04 06 09 11)((0[1-9]) ([1-2][0-9]) 30)) ((02)((0[1-9]) ([1-2][0-9])))))[A-Z0-9]{11}.*</p> <p>Length: 35</p> <p>Rule(s): The first 20 characters of the Message Identification (positions 01-20) are validated for structural alignment in accordance with the format specification.</p> <p>Reason Code(s): In case for structural validation failure, the RTP Network will reject with code '650' in Administration Advice message (admi.002).</p>

Element	Details
	<p>Note(s): The Message Identifier in the message received by the System from the Instructing Agent (Creditor FI) is passed untouched by RTP to the Instructed Agent (Debtor FI). Note: the message identification for a Request for Payment (pain.013) is different than the message identification for the corresponding Credit Transfer (pacs.008).</p> <p>Example: M2017111202120020101BRFP00000000013</p>
<p>INDEX: 1.2 CdtrPmtActvtnReq +GrpHdr ++CreDtTm</p>	<p>Name: Creation Date Time</p> <p>ISO Description: Date and time at which the message was created.</p> <p>XML Tag: <CreDtTm></p> <p>Occurrence: [1..1]</p> <p>Format: YYYY-MM-DDThh:mm:ss</p> <p>Length: 19</p> <p>Rule(s): Creation Date Time must be within 1 calendar day of the system's date/time.</p> <p>Reason Code(s): Reject with code 'DT04' in pacs.002 for failing validation.</p> <p>Note(s): The date is required to be set to Eastern Time (ET).</p> <p>Example: 2017-11-12T10:05:00</p>
<p>INDEX: 1.3 CdtrPmtActvtnReq +GrpHdr ++NbOfTxs</p>	<p>Name: Number Of Transactions</p> <p>ISO Description: Number of individual transactions contained in the message.</p> <p>XML Tag: <NbOfTxs></p> <p>Occurrence: [1..1]</p> <p>RegEx: [1]{1,1}</p> <p>Length: 1</p> <p>Rule(s): Expected value is '1'</p> <p>Reason Code(s): The RTP Network will reject with code '650' in Administration Advice message (admi.002) if value is not '1'.</p> <p>Note(s): System only permits one Request for Payment per pain.013 message.</p> <p>Example: 1</p>
<p>INDEX: 1.5 CdtrPmtActvtnReq +GrpHdr ++InitgPty</p>	<p>Name: Initiating Party</p> <p>ISO Description: Party initiating the creditor payment activation request. This can either be the creditor himself or the party that initiates the request on behalf of the creditor.</p> <p>Product Usage: Used to provide Message Sender identifications for a specific scheme(i.e: Zelle) or for a specific use case. Refer to implementation documentation for more detail.</p> <p>XML Tag: <InitgPty></p>

Element	Details
	<p>Occurrence: [1..1]</p>
<p>INDEX: 1.29 CdtrPmtActvtnReq +GrpHdr ++InitgPty +++Id</p>	<p>Name: Identification</p> <p>ISO Description: Unique and unambiguous identification of a party.</p> <p>Product Usage: This element is used on a conditional basis for Identification of any other specific identifier of the ultimate receiver.</p> <p>XML Tag: <Id></p> <p>Occurrence: [1..1]</p>
<p>INDEX: 1.30 CdtrPmtActvtnReq +GrpHdr ++InitgPty +++Id ++++OrgId</p>	<p>Name: Organisation Identification</p> <p>ISO Description: Unique and unambiguous way to identify an organisation.</p> <p>XML Tag: <OrgId></p> <p>Occurrence: [1..1]</p>
<p>INDEX: 1.33 CdtrPmtActvtnReq +GrpHdr ++InitgPty +++Id ++++OrgId +++++Othr</p>	<p>Name: Other</p> <p>ISO Description: Unique identification of an organisation, as assigned by an institution, using an identification scheme.</p> <p>Product Usage: Used to carry the multiple occurrences of unique identifiers for specific use case or schemes (eg., Zelle Payment ID).</p> <p>XML Tag: <Othr></p> <p>Occurrence: [1..5]</p>
<p>INDEX: 1.34 CdtrPmtActvtnReq +GrpHdr ++InitgPty +++Id ++++OrgId +++++Othr ++++++Id</p>	<p>Name: Identification</p> <p>ISO Description: Identification assigned by an institution.</p> <p>Product Usage: The first occurrence of Identification must be the Instructing Agent (Creditor FI) Routing and Transit Number.</p> <p>Subsequent occurrences may be used to provide sender identifications of a specific scheme. For Zelle related information, this may include:</p> <ul style="list-style-type: none"> • Zelle Payment Request Identification • Requestor Payment Profile ID <p>**Please refer to the “Zelle Implementation Guide” for details on specific mapping guidance.</p> <p>XML Tag: <Id></p> <p>Occurrence: [1..1]</p> <p>Format: 9 character Routing and Transit Number (alphabetic characters may be present) for first occurrence or scheme specific format for subsequent occurrences.</p> <p>Length: 35</p>

Element	Details
	<p>Rule(s): Member Identification validation must be 9 character valid Routing and Transit Number.</p> <p>Reason Code(s): The RTP Network will reject with code '650' in Administration Advice message (admi.002) if Routing and Transit number is not supported in RTP database.</p> <p>Reject with Message Status Report (pacs.002) if:</p> <ul style="list-style-type: none"> - Sender is not authorized to send this business message (reason code 'AG03') - agent is signed off (reason code '9934') - agent is suspended (reason code '9946') - the sender of the message is not authorized to submit message on behalf of this agent (reason code 'DSOH') <p>Note(s): The system validates that the participant indicated in the Payment Information ID (positions 09-19) owns the Routing and Transit Number contained within this field.</p> <p>Example: 021200201</p>
<p>INDEX: 1.35</p> <p>CdtrPmtActvtnReq +GrpHdr ++InitgPty +++Id ++++OrgId +++++Othr +++++SchmeNm</p>	<p>Name: Scheme Name</p> <p>ISO Description: Name of the identification scheme.</p> <p>Product Usage: Used to provide the sender identifications of a specific scheme.</p> <p>XML Tag: <SchmeNm></p> <p>Occurrence: [0..1]</p>
<p>INDEX: 1.37</p> <p>CdtrPmtActvtnReq +GrpHdr ++InitgPty +++Id ++++OrgId +++++Othr +++++SchmeNm +++++Prtry</p>	<p>Name: Proprietary</p> <p>ISO Description: Name of the identification scheme, in a free text form.</p> <p>Product Usage: Used to carry product type and sender type.</p> <p>XML Tag: <Prtry></p> <p>Occurrence: [1..1]</p> <p>Length: 35</p>
<p>INDEX: 2.0</p> <p>CdtrPmtActvtnReq +PmtInf</p>	<p>Name: Payment Information</p> <p>ISO Description: Set of characteristics that applies to the debit side of the payment transactions included in the creditor payment initiation.</p> <p>XML Tag: <PmtInf></p> <p>Occurrence: [1..1]</p>
<p>INDEX: 2.1</p>	<p>Name: Payment Information Identification</p>

Element	Details
CdtrPmtActvtnReq +PmtInf ++PmtInfId	<p>ISO Description: Reference assigned by a sending party to unambiguously identify the payment information block within the message.</p> <p>Product Usage: The Payment Information Identifier is assigned by the Instructing Agent (Creditor FI) to uniquely identify a payment instruction throughout its existence within RTP. The Payment Information ID is the unique identifier that is persisted in the transactional database as the primary means of subsequent reference for the Request for Payment instruction.</p> <p>The uniqueness of an instruction is determined by the Payment Information Identification and is based on the format below. RTP will use the Payment Information ID to perform a check for a duplicate transaction within the duplicate checking period.</p> <p>XML Tag: <PmtInfId></p> <p>Occurrence: [1..1]</p> <p>Format: Expected format: YYYYMMDDbbbbbbbbbbBAAAAAnnnnnnnnnn Pos. 01-08 - File creation date in format YYYYMMDD Pos. 09-19 - Participant ID (11 characters) Pos. 20-20 - Message generation source ("B" if generated by a Participant) Pos. 21-24 - Discretionary bank field (4 digit alpha numeric that can be used to serialize, identify specific systems, etc.) Pos. 25-35 - Message serial number (11 numeric characters)</p> <p>RegEx: [0-9]{4}(((01 03 05 07 08 10 12)((0[1-9]) ([1-2][0-9]) (3[0-1]))) ((04 06 09 11)((0[1-9]) ([1-2][0-9]) 30)) ((02 ([0[1-9]) ([1-2][0-9])))))[A-Z0-9]{11}.*</p> <p>Length: 35</p> <p>Rule(s): The first 19 characters of the Payment Information Identifications (positions 1-19) are validated for structural alignment in accordance with the format specification. Business validations for the Instruction Identification include: - Embedded date (positions 01-08) must be within 1 calendar day of the system date. - Embedded Participant ID (positions 09-19) must be owned by the Instructing Agent.</p> <p>Reason Code(s): If structural validation fails, The RTP Network will reject with code '650' in Administration Advice message (admi.002). Reject with Message Status Report (pacs.002) if: - Payment Information ID matches a previously completed transaction (DUPL) - Embedded date is not within one calendar day of the system date (DT04) - Participant ID is not owned by the Instructing Agent (DS0H)</p> <p>Note(s): Used for duplicate check and re-association to the resulting Credit Transfer. Must be used in the Transaction Identification (TxId) field in the subsequent Credit Transfer (pacs.008) message.</p> <p>Example: 2017111202120020101BSRFP00000000013</p>
INDEX: 2.2 CdtrPmtActvtnReq +PmtInf	<p>Name: Payment Method</p> <p>ISO Description: Specifies the means of payment that will be used to move the amount of money.</p> <p>XML Tag: <PmtMtd></p>

Element	Details
++PmtMtd	<p>Occurrence: [1..1] Length: 3 Rule(s): Only a value of 'TRF' is allowed. Reason Code(s): The RTP Network will reject with code '650' in Administration Advice message (admi.002) if value is not 'TRF' Note(s): This is a mandatory field and only the value TRF is expected. Example: TRF</p>
INDEX: 2.14 CdtrPmtActvtnReq +PmtInf ++ReqdExctnDt	<p>Permitted Codes</p> <p>TRF CreditTransfer</p> <p>Name: Requested Execution Date</p> <p>ISO Description: Date at which the initiating party requests the clearing agent to process the payment. If payment by cheque, the date when the cheque must be generated by the bank.</p> <p>Usage: This is the date on which the debtor's account(s) is (are) to be debited.</p> <p>Product Usage: Requested date on which the Customer Credit Transfer should be executed. Either Date or Date and Time must be provided. If only Date is provided, the Request for Payment will be expected to be paid by the end of the designated calendar day in Eastern Time. The Debtor FI must display the Requested Execution Date to the Debtor.</p> <p>XML Tag: <ReqdExctnDt></p> <p>Occurrence: [1..1] Note(s): If only Date is provided the time would be signified as 23:59:59 ET.</p>
INDEX: 2.15 Choice: {Or CdtrPmtActvtnReq +PmtInf ++ReqdExctnDt +++Dt	<p>Name: Date</p> <p>ISO Description: Specified date.</p> <p>Product Usage: Requested date by which the Customer Credit Transfer should be executed.</p> <p>XML Tag: <Dt></p> <p>Occurrence: [1..1] Format: YYYY-MM-DD Length: 10 Rule(s): Must be a valid processing date.</p> <p>Reason Code(s): The RTP Network will reject with code '650' in Administration Advice message (admi.002). Note(s): In a Business/Consumer to Business scenario this could be also the due date of Payment. When this field is used, it is assumed that payment is requested to be made by the end of the indicated calendar day in the local timezone.</p>

Element	Details
INDEX: 2.16 Choice: Or} CdtrPmtActvtnReq +PmtInf ++ReqdExctnDt +++DtTm	<p>Example: 2017-11-12</p> <p>Name: Date Time</p> <p>ISO Description: Specified date and time.</p> <p>Product Usage: Requested date and specific time by which the Customer Credit Transfer should be executed.</p> <p>XML Tag: <DtTm></p> <p>Occurrence: [1..1]</p> <p>Format: YYYY-MM-DDThh:mm:ss</p> <p>Length: 19</p> <p>Rule(s): Must be a valid processing date and time.</p> <p>Reason Code(s): The RTP Network will reject with code '650' in Administration Advice message (admi.002).</p> <p>Note(s): The date and time is required to be set to Eastern Time (ET).</p> <p>Example: 2017-11-12T16:00:00</p>
INDEX: 2.17 CdtrPmtActvtnReq +PmtInf ++XpryDt	<p>Name: Expiry Date</p> <p>ISO Description: Date by which the debtor must have accepted or rejected the request.</p> <p>Usage: Beyond this date, the request becomes void and cannot be processed anymore.</p> <p>Product Usage: The date or date and time upon which the Debtor FI should no longer allow the Debtor to make a payment that references this Request for Payment message.</p> <p>XML Tag: <XpryDt></p> <p>Occurrence: [1..1]</p> <p>Note(s): The Debtor FI may optionally display the Expiry Date to the Debtor.</p>
INDEX: 2.18 Choice: {Or CdtrPmtActvtnReq +PmtInf ++XpryDt +++Dt	<p>Name: Date</p> <p>ISO Description: Specified date.</p> <p>XML Tag: <Dt></p> <p>Occurrence: [1..1]</p> <p>Length: 10</p> <p>Rule(s): Date cannot be before Requested Execution Date.</p> <p>Reason Code(s): The RTP Network will reject with code '650' in Administration Advice message (admi.002).</p>
INDEX: 2.19 Choice: Or}	<p>Name: Date Time</p> <p>ISO Description: Specified date and time.</p>

Element	Details
CdtrPmtActvtnReq +PmtInf ++XpryDt +++DtTm	<p>XML Tag: <DtTm></p> <p>Occurrence: [1..1]</p> <p>Length: 19</p> <p>Rule(s): Date cannot be before Requested Execution Date.</p> <p>Reason Code(s): The RTP Network will reject with code '650' in Administration Advice message (admi.002).</p>
INDEX: 2.29 CdtrPmtActvtnReq +PmtInf ++Dbtr	<p>Name: Debtor</p> <p>ISO Description: Party that owes an amount of money to the (ultimate) creditor.</p> <p>Product Usage: Except for special use cases, such as IXB, the party (Sender) that instructs its Financial Institution to pay the Creditor / Receiver. For RTP payments that are part of an IXB transfer, readers should refer to IXB documentation.</p> <p>XML Tag: <Dbtr></p> <p>Occurrence: [1..1]</p> <p>Rule(s): Effective June 30, 2023, when sending a pain.013 message, a Message Sending Participant must populate at least one of the applicable data elements in any one of the following 'Postal Address' or 'Organization Identification' or 'Private Identification' as follows:</p> <ul style="list-style-type: none"> • When using 'Postal Address' a Message Sending Participant must populate at least one of the following fields: 'Street Name', 'Post Code' or 'Town Name' with the relevant address information associated with the Message Receiver. Other mandatory fields may be populated with the relevant address information associated with the Message Receiver or "NOREF" if such information is unavailable. 'Country Code' must be populated with the correct code. • When using 'Organization Identification', a Message Sending Participant must populate 'LEI' field. • When using 'Private Identification', a Message Sending Participant must populate at least one of the following fields: 'Birth Date' or 'City of Birth' with the relevant information associated with the Message Receiver. If 'Birth Date' is unavailable, the field may be populated with 1111-11-11. If 'City of Birth' is unavailable, the field may be populated with "NOREF". 'Country Code' must be populated with the correct code.

INDEX: 2.30

CdtrPmtActvtnReq
 +PmtInf
 ++Dbtr
 +++Nm

Name: Name

ISO Description: Name by which a party is known and which is usually used to identify that party.

Product Usage: Debtor Name

XML Tag: <Nm>

Occurrence: [1..1]

Length: 140

Note(s): Official Name Debtor FI has registered for the account.

Example: Debtor Name

INDEX: 2.31

CdtrPmtActvtnReq
 +PmtInf
 ++Dbtr
 +++PstlAdr

Name: Postal Address

ISO Description: Information that locates and identifies a specific address, as defined by postal services.

XML Tag: <PstlAdr>

Occurrence: [0..1]

Rule(s): Only structured Address possible plus one Address Line available. If Postal Address is included, Street Name, Post Code, Town Name, Country Subdivision, and Country are required.

INDEX: 2.40

CdtrPmtActvtnReq
 +PmtInf
 ++Dbtr
 +++PstlAdr
 ++++StrtNm

Name: Street Name

ISO Description: Name of a street or thoroughfare.

XML Tag: <StrtNm>

Occurrence: [1..1]

Length: 70

Element	Details
INDEX: 2.41 CdtrPmtActvtnReq +PmtInf ++Dbtr +++PstlAdr ++++BldgNb	<p>Example: Park Lane</p> <p>Name: Building Number</p> <p>ISO Description: Number that identifies the position of a building on a street.</p> <p>XML Tag: <BldgNb></p> <p>Occurrence: [0..1]</p> <p>Length: 16</p> <p>Note(s): This is an optional field, even when Postal Address is present. Building number, when it is used, should be displayed to the end user directly ahead of Street Name. This field is not to be used as a second address line.</p> <p>Example: 45</p>
INDEX: 2.46 CdtrPmtActvtnReq +PmtInf ++Dbtr +++PstlAdr ++++PstCd	<p>Name: Post Code</p> <p>ISO Description: Identifier consisting of a group of letters and/or numbers that is added to a postal address to assist the sorting of mail.</p> <p>XML Tag: <PstCd></p> <p>Occurrence: [1..1]</p> <p>Length: 16</p> <p>Example: 10016</p>
INDEX: 2.47 CdtrPmtActvtnReq +PmtInf ++Dbtr +++PstlAdr ++++TwnNm	<p>Name: Town Name</p> <p>ISO Description: Name of a built-up area, with defined boundaries, and a local government.</p> <p>XML Tag: <TwnNm></p> <p>Occurrence: [1..1]</p> <p>Length: 35</p> <p>Example: New York City</p>
INDEX: 2.50 CdtrPmtActvtnReq +PmtInf ++Dbtr +++PstlAdr ++++CtrySubDvsn	<p>Name: Country Sub Division</p> <p>ISO Description: Identifies a subdivision of a country such as state, region, county.</p> <p>Product Usage: Identifies the state (could include full name or two character state abbreviation).</p> <p>XML Tag: <CtrySubDvsn></p> <p>Occurrence: [1..1]</p> <p>Length: 35</p> <p>Example: New York</p>
INDEX: 2.51 CdtrPmtActvtnReq	<p>Name: Country</p> <p>ISO Description: Nation with its own government.</p>

Element	Details
+PmtInf ++Dbtr +++PstlAdr ++++Ctry	<p>XML Tag: <Ctry></p> <p>Occurrence: [1..1]</p> <p>RegEx: [A-Z]{2}</p> <p>Length: 2</p> <p>Rule(s): The code is checked against the list of country names obtained from the United Nations (ISO 3166, Alpha-2 code).</p> <p>Example: US</p>
INDEX: 2.52 CdtrPmtActvtnReq +PmtInf ++Dbtr +++PstlAdr ++++AdrLine	<p>Name: Address Line</p> <p>ISO Description: Information that locates and identifies a specific address, as defined by postal services, presented in free format text.</p> <p>XML Tag: <AdrLine></p> <p>Occurrence: [0..1]</p> <p>Length: 70</p> <p>Note(s): Only one occurrence of this field is permitted and it is to be used as an "Address Line 2". When displaying an address to an end user, this field should appear directly after or below Street Name and directly before or above Town Name.</p> <p>Example: Apartment 1044</p>
INDEX: 2.53 CdtrPmtActvtnReq +PmtInf ++Dbtr +++Id	<p>Name: Identification</p> <p>ISO Description: Unique and unambiguous identification of a party.</p> <p>Product Usage: This element is used on a conditional basis for Identification of any other specific identifier of the receiver.</p> <p>XML Tag: <Id></p> <p>Occurrence: [0..1]</p> <p>Note(s): Either one element PrivateIdentification / Other or OrganisationIdentification / LEI is being used.</p>
INDEX: 2.54 Choice: {Or CdtrPmtActvtnReq +PmtInf ++Dbtr +++Id ++++OrgId	<p>Name: Organisation Identification</p> <p>ISO Description: Unique and unambiguous way to identify an organisation.</p> <p>XML Tag: <OrgId></p> <p>Occurrence: [1..1]</p>
INDEX: 2.56 CdtrPmtActvtnReq +PmtInf ++Dbtr +++Id	<p>Name: LEI</p> <p>ISO Description: Legal entity identification as an alternate identification for a party.</p> <p>Product Usage: Optional legal entity identifier when the referenced party is not a consumer.</p> <p>XML Tag: <LEI></p>

Element	Details
++++OrgId ++++LEI	<p>Occurrence: [1..1]</p> <p>RegEx: [A-Z0-9]{18,18}[0-9]{2,2}</p> <p>Length: 20</p> <p>Example: 54930084UKLVMY22DS16</p>
<p>INDEX: 2.63</p> <p>Choice: Or}</p> <p>CdtrPmtActvtnReq +PmtInf ++Dbtr +++Id ++++PrvtId</p>	<p>Name: Private Identification</p> <p>ISO Description: Unique and unambiguous identification of a person, for example a passport.</p> <p>XML Tag: <PrvtId></p> <p>Occurrence: [1..1]</p>
<p>INDEX: 2.64</p> <p>CdtrPmtActvtnReq +PmtInf ++Dbtr +++Id ++++PrvtId ++++DtAndPlcOfBirth</p>	<p>Name: Date And Place Of Birth</p> <p>ISO Description: Date and place of birth of a person.</p> <p>XML Tag: <DtAndPlcOfBirth></p> <p>Occurrence: [1..1]</p>
<p>INDEX: 2.65</p> <p>CdtrPmtActvtnReq +PmtInf ++Dbtr +++Id ++++PrvtId ++++DtAndPlcOfBirth +++++BirthDt</p>	<p>Name: Birth Date</p> <p>ISO Description: Date on which a person is born.</p> <p>XML Tag: <BirthDt></p> <p>Occurrence: [1..1]</p> <p>Format: YYYY-MM-DD</p> <p>Length: 10</p> <p>Example: 1950-09-27</p>
<p>INDEX: 2.67</p> <p>CdtrPmtActvtnReq +PmtInf ++Dbtr +++Id ++++PrvtId +++++DtAndPlcOfBirth +++++CityOfBirth</p>	<p>Name: City Of Birth</p> <p>ISO Description: City where a person was born.</p> <p>XML Tag: <CityOfBirth></p> <p>Occurrence: [1..1]</p> <p>Length: 35</p> <p>Note(s): This field is a mandatory ISO field if Date and Place of Birth is utilized, but the content of the field will not be validated by the system.</p>

Element	Details
INDEX: 2.68 CdtrPmtActvtnReq +PmtInf ++Dbtr +++Id ++++PrvtId +++++DtAndPlcOfBirth +++++CtryOfBirth	Example: City ABC Name: Country Of Birth ISO Description: Country where a person was born. XML Tag: <CtryOfBirth> Occurrence: [1..1] RegEx: [A-Z]{2,2} Length: 2 Rule(s): The code is checked against the list of country names obtained from the United Nations (ISO 3166, Alpha-2 code). Example: US
INDEX: 2.91 CdtrPmtActvtnReq +PmtInf ++DbtrAcct	Name: Debtor Account ISO Description: Account used to process charges associated with a transaction. XML Tag: <DbtrAcct> Occurrence: [1..1]
INDEX: 2.92 CdtrPmtActvtnReq +PmtInf ++DbtrAcct +++Id	Name: Identification ISO Description: Unique and unambiguous identification for the account between the account owner and the account servicer. XML Tag: <Id> Occurrence: [1..1]
INDEX: 2.94 CdtrPmtActvtnReq +PmtInf ++DbtrAcct +++Id ++++Othr	Name: Other ISO Description: Unique identification of an account, as assigned by the account servicer, using an identification scheme. Product Usage: Unique identification of an account, as assigned by the Debtor FI. XML Tag: <Othr> Occurrence: [1..1]
INDEX: 2.95 CdtrPmtActvtnReq +PmtInf ++DbtrAcct +++Id ++++Othr +++++Id	Name: Identification ISO Description: Identification assigned by an institution. Product Usage: Identification of the account, this could be a tokenized account number or an account number in the clear. XML Tag: <Id> Occurrence: [1..1] Length: 34 Example: 11000179512199000

Element	Details
INDEX: 2.104 CdtrPmtActvtnReq +PmtInf ++DbtrAcct +++Nm	<p>Name: Name</p> <p>ISO Description: Name of the account, as assigned by the account servicing institution, in agreement with the account owner in order to provide an additional means of identification of the account.</p> <p>Usage: The account name is different from the account owner name. The account name is used in certain user communities to provide a means of identifying the account, in addition to the account owner's identity and the account number.</p> <p>Product Usage: Name by which the debtor is known to the creditor.</p> <p>XML Tag: <Nm></p> <p>Occurrence: [0..1]</p> <p>Length: 70</p>
INDEX: 2.105 CdtrPmtActvtnReq +PmtInf ++DbtrAcct +++Prxy	<p>Name: Proxy</p> <p>ISO Description: Specifies an alternate assumed name for the identification of the account.</p> <p>Product Usage: This field can be used to include the alias (proxy) used to address a Request for Payment initiated.</p> <p>XML Tag: <Prxy></p> <p>Occurrence: [0..1]</p>
INDEX: 2.109 CdtrPmtActvtnReq +PmtInf ++DbtrAcct +++Prxy ++++Id	<p>Name: Identification</p> <p>ISO Description: Identification used to indicate the account identification under another specified name.</p> <p>Product Usage: Information about the alias which might be a mobile number, an email address etc.</p> <p>XML Tag: <Id></p> <p>Occurrence: [1..1]</p> <p>Length: 256</p> <p>Note(s): When an alias is used to retrieve the debtor's account credentials prior to sending a Request for Payment, the alias used to retrieve the account credentials must be included in this field.</p> <p>Example: 2125551212 or jane.doe@domain.ext</p>
INDEX: 2.110 CdtrPmtActvtnReq +PmtInf ++DbtrAgt	<p>Name: Debtor Agent</p> <p>ISO Description: Financial institution servicing an account for the debtor.</p> <p>Product Usage: Except for special use cases, such as IXB, this is the Debtor FI that holds the Debtor's account that is used to make the payment. Notwithstanding the ISO term 'agent' this entity will always be a Participant and party to a RTP payment. Please use "IXB specifications will be shared separately with RTP Participants participating in the IXB service."</p> <p>XML Tag: <DbtrAgt></p> <p>Occurrence: [1..1]</p>

Element	Details
INDEX: 2.111 CdtrPmtActvtnReq +PmtInf ++DbtrAgt +++FinInstnId	Name: Financial Institution Identification ISO Description: Unique and unambiguous identification of a financial institution, as assigned under an internationally recognised or proprietary identification scheme. XML Tag: <FinInstnId> Occurrence: [1..1]
INDEX: 2.113 CdtrPmtActvtnReq +PmtInf ++DbtrAgt +++FinInstnId ++++ClrSysMmbld	Name: Clearing System Member Identification ISO Description: Information used to identify a member within a clearing system. XML Tag: <ClrSysMmbld> Occurrence: [1..1]
INDEX: 2.117 CdtrPmtActvtnReq +PmtInf ++DbtrAgt +++FinInstnId ++++ClrSysMmbld +++++Mmbld	Name: Member Identification ISO Description: Identification of a member of a clearing system. Product Usage: Identifier of the Debtor FI that will receive the Request for Payment. This may be a true Routing and Transit Number or a token Routing and Transit Number. XML Tag: <Mmbld> Occurrence: [1..1] Format: 9 character Routing and Transit Number (alphabetic characters may be present) Length: 9 Rule(s): Member Identification must be valid 9 character Routing and Transit Number. Note, this value may include alphabetic characters. Reason Code(s): Reject with Message Status Report (pacs.002) if: <ul style="list-style-type: none"> - Routing and Transit number is not authorized to receive this business message (reason code 'AG03') - Routing and Transit number is not included in the RTP routing file/database (reason code 'RC03') - Agent is signed-off (reason code '9910') - Agent is suspended (reason code '9947') - Receiver connection is unavailable (reason code '9912') Example: 11401533
INDEX: 2.174 CdtrPmtActvtnReq +PmtInf ++UltmtDbtr	Name: Ultimate Debtor ISO Description: Ultimate party that owes an amount of money to the (ultimate) creditor. Product Usage: Ultimate Debtor is only permitted when Local Instrument is set to "INTERMEDIARY", "Zelle" or 'IXB.' See guidelines for these use cases for a description of how Ultimate Debtor is used. XML Tag: <UltmtDbtr>

Element	Details
	Occurrence: [0..1]
INDEX: 2.175 CdtrPmtActvtnReq +PmtInf ++UltmtDbtr +++Nm	<p>Name: Name</p> <p>ISO Description: Name by which a party is known and which is usually used to identify that party.</p> <p>XML Tag: <Nm></p> <p>Occurrence: [1..1]</p> <p>Length: 140</p>
INDEX: 2.176 CdtrPmtActvtnReq +PmtInf ++UltmtDbtr +++PstlAdr	<p>Name: Postal Address</p> <p>ISO Description: Information that locates and identifies a specific address, as defined by postal services.</p> <p>XML Tag: <PstlAdr></p> <p>Occurrence: [0..1]</p> <p>Rule(s): Only structured Address possible plus one Address Line available. If Postal Address is included, Street Name, Post Code, Town Name, Country Subdivision, and Country are required.</p>
INDEX: 2.185 CdtrPmtActvtnReq +PmtInf ++UltmtDbtr +++PstlAdr +++StrtNm	<p>Name: Street Name</p> <p>ISO Description: Name of a street or thoroughfare.</p> <p>XML Tag: <StrtNm></p> <p>Occurrence: [1..1]</p> <p>Length: 70</p> <p>Example: Ave of the Americas, 17th floor</p>
INDEX: 2.186 CdtrPmtActvtnReq +PmtInf ++UltmtDbtr +++PstlAdr ++++BldgNb	<p>Name: Building Number</p> <p>ISO Description: Number that identifies the position of a building on a street.</p> <p>XML Tag: <BldgNb></p> <p>Occurrence: [0..1]</p> <p>Length: 16</p> <p>Note(s): This is an optional field, even when Postal Address is present. Building number, when it is used, should be displayed to the end user directly ahead of Street Name. This field is not to be used as a second address line.</p> <p>Example: 1114</p>
INDEX: 2.191 CdtrPmtActvtnReq +PmtInf ++UltmtDbtr +++PstlAdr	<p>Name: Post Code</p> <p>ISO Description: Identifier consisting of a group of letters and/or numbers that is added to a postal address to assist the sorting of mail.</p> <p>XML Tag: <PstCd></p> <p>Occurrence: [1..1]</p>

Element	Details
+++PstCd	<p>Length: 16</p> <p>Example: 10016</p>
<p>INDEX: 2.192</p> <p>CdtrPmtActvtnReq +PmtInf ++UltmtDbtr +++PstlAdr ++++TwnNm</p>	<p>Name: Town Name</p> <p>ISO Description: Name of a built-up area, with defined boundaries, and a local government.</p> <p>XML Tag: <TwnNm></p> <p>Occurrence: [1..1]</p> <p>Length: 35</p> <p>Example: New York</p>
<p>INDEX: 2.195</p> <p>CdtrPmtActvtnReq +PmtInf ++UltmtDbtr +++PstlAdr ++++CtrySubDvsn</p>	<p>Name: Country Sub Division</p> <p>ISO Description: Identifies a subdivision of a country such as state, region, county.</p> <p>Product Usage: Identifies the state (could include full name or two character state abbreviation).</p> <p>XML Tag: <CtrySubDvsn></p> <p>Occurrence: [1..1]</p> <p>Length: 35</p> <p>Example: New York</p>
<p>INDEX: 2.196</p> <p>CdtrPmtActvtnReq +PmtInf ++UltmtDbtr +++PstlAdr ++++Ctry</p>	<p>Name: Country</p> <p>ISO Description: Nation with its own government.</p> <p>XML Tag: <Ctry></p> <p>Occurrence: [1..1]</p> <p>RegEx: [A-Z]{2,2}</p> <p>Length: 2</p> <p>Rule(s): The code is checked against the list of country names obtained from the United Nations (ISO 3166, Alpha-2 code).</p> <p>Example: US</p>
<p>INDEX: 2.197</p> <p>CdtrPmtActvtnReq +PmtInf ++UltmtDbtr +++PstlAdr ++++AdrLine</p>	<p>Name: Address Line</p> <p>ISO Description: Information that locates and identifies a specific address, as defined by postal services, presented in free format text.</p> <p>XML Tag: <AdrLine></p> <p>Occurrence: [0..1]</p> <p>Length: 70</p> <p>Note(s): Only one occurrence of this field is permitted and it is to be used as an "Address Line 2". When displaying an address to an end user, this field should appear directly after or below Street Name and directly before or above Town Name.</p>

Element	Details
INDEX: 2.198 CdtrPmtActvtnReq +PmtInf ++UltmtDbtr +++Id	<p>Example: c/o The Clearing House</p> <p>Name: Identification</p> <p>ISO Description: Unique and unambiguous identification of a party.</p> <p>Product Usage: This element is used on a conditional basis for Identification of any other specific identifier of the ultimate receiver.</p> <p>XML Tag: <Id></p> <p>Occurrence: [0..1]</p> <p>Note(s): Either one element PrivateIdentification / Other or OrganisationIdentification / LEI is being used.</p>
INDEX: 2.199 Choice: {Or CdtrPmtActvtnReq +PmtInf ++UltmtDbtr +++Id ++++OrgId	<p>Name: Organisation Identification</p> <p>ISO Description: Unique and unambiguous way to identify an organisation.</p> <p>XML Tag: <OrgId></p> <p>Occurrence: [1..1]</p>
INDEX: 2.201 CdtrPmtActvtnReq +PmtInf ++UltmtDbtr +++Id ++++OrgId +++++LEI	<p>Name: LEI</p> <p>ISO Description: Legal entity identification as an alternate identification for a party.</p> <p>Product Usage: Optional legal entity identifier when the referenced party is not a consumer.</p> <p>XML Tag: <LEI></p> <p>Occurrence: [0..1]</p> <p>RegEx: [A-Z0-9]{18,18}[0-9]{2,2}</p> <p>Length: 20</p> <p>Note(s): LEI has to be present if Othr is not present under Id>>OrgId.</p> <p>Example: 54930084UKLVMY22DS16</p>
INDEX: 2.202 CdtrPmtActvtnReq +PmtInf ++UltmtDbtr +++Id ++++OrgId +++++Othr	<p>Name: Other</p> <p>ISO Description: Unique identification of an organisation, as assigned by an institution, using an identification scheme.</p> <p>Product Usage: In the case of a Business Ultimate Debtor, the first two instances of Identification may be populated to carry over the Receiver of the RFP's Bank Information (e.g., BIC and IBAN) when sending an IXB RTP Request for Payment to an international party.</p> <p>XML Tag: <Othr></p> <p>Occurrence: [0..5]</p>
INDEX: 2.203	<p>Name: Identification</p>

Element	Details
CdtrPmtActvtnReq +PmtInf ++UltmtDbtr +++Id ++++OrgId +++++Othr +++++Id	<p>ISO Description: Identification assigned by an institution.</p> <p>Product Usage: This field may be populated with a BIC and IBAN when the message is received for IXB use cases from other payment schemes. IXB specifications will be shared separately with RTP Participants participating in the IXB service.</p> <p>XML Tag: <Id></p> <p>Occurrence: [1..1]</p> <p>Length: 35</p>
INDEX: 2.204 CdtrPmtActvtnReq +PmtInf ++UltmtDbtr +++Id ++++OrgId +++++Othr +++++SchmeNm	<p>Name: Scheme Name</p> <p>ISO Description: Name of the identification scheme.</p> <p>Product Usage: Used for additional information when the message is for IXB use cases.</p> <p>XML Tag: <SchmeNm></p> <p>Occurrence: [0..1]</p>
INDEX: 2.206 CdtrPmtActvtnReq +PmtInf ++UltmtDbtr +++Id ++++OrgId +++++Othr +++++SchmeNm +++++Prtry	<p>Name: Proprietary</p> <p>ISO Description: Name of the identification scheme, in a free text form.</p> <p>Product Usage: When 'Identification' is populated for IXB use cases, then the 'Proprietary' field should be populated to identify the Identification as either a BIC or an IBAN. The instance of the specified scheme must match the instance used in the Identification field. E.g. If a BIC is specified in the first instance of Identification and an IBAN in the second instance of Identification, then the first instance of Proprietary must be 'BIC' and the second instance of Proprietary must be 'IBAN.'</p> <p>XML Tag: <Prtry></p> <p>Occurrence: [1..1]</p> <p>Length: 35</p> <p>Example: BIC</p>
INDEX: 2.208 Choice: Or} CdtrPmtActvtnReq +PmtInf ++UltmtDbtr +++Id ++++PrvtId	<p>Name: Private Identification</p> <p>ISO Description: Unique and unambiguous identification of a person, for example a passport.</p> <p>XML Tag: <PrvtId></p> <p>Occurrence: [1..1]</p>
INDEX: 2.209 CdtrPmtActvtnReq +PmtInf ++UltmtDbtr	<p>Name: Date And Place Of Birth</p> <p>ISO Description: Date and place of birth of a person.</p> <p>XML Tag: <DtAndPlcOfBirth></p> <p>Occurrence: [0..1]</p>

Element	Details
+++Id ++++PrvtId +++++DtAndPlcOfBirth INDEX: 2.210 CdtrPmtActvtnReq +PmtInf ++UltmtDbtr +++Id ++++PrvtId +++++DtAndPlcOfBirth ++++++BirthDt	<p>Name: Birth Date</p> <p>ISO Description: Date on which a person is born.</p> <p>Product Usage: For IXB use case this field should be populated to verify the identification of a person. IXB specifications will be shared separately with RTP Participants participating in the IXB service.</p> <p>XML Tag: <BirthDt></p> <p>Occurrence: [1..1]</p> <p>Format: YYYY-MM-DD</p> <p>Length: 10</p> <p>Example: 1969-06-28</p>
INDEX: 2.212 CdtrPmtActvtnReq +PmtInf ++UltmtDbtr +++Id ++++PrvtId +++++DtAndPlcOfBirth ++++++CityOfBirth	<p>Name: City Of Birth</p> <p>ISO Description: City where a person was born.</p> <p>XML Tag: <CityOfBirth></p> <p>Occurrence: [1..1]</p> <p>Length: 35</p> <p>Note(s): This field is a mandatory ISO field if Date and Place of Birth is utilized, but the content of the field will not be validated by the system.</p> <p>Example: City ABC</p>
INDEX: 2.213 CdtrPmtActvtnReq +PmtInf ++UltmtDbtr +++Id ++++PrvtId +++++DtAndPlcOfBirth ++++++CtryOfBirth	<p>Name: Country Of Birth</p> <p>ISO Description: Country where a person was born.</p> <p>XML Tag: <CtryOfBirth></p> <p>Occurrence: [1..1]</p> <p>RegEx: [A-Z]{2,2}</p> <p>Length: 2</p> <p>Rule(s): The code is checked against the list of country names obtained from the United Nations (ISO 3166, Alpha-2 code).</p> <p>Example: US</p>
INDEX: 2.214 CdtrPmtActvtnReq +PmtInf	<p>Name: Other</p> <p>ISO Description: Unique identification of a person, as assigned by an institution, using an identification scheme.</p> <p>Product Usage: In the case of a Consumer Ultimate Debtor, the first two instances of Identification may be populated to carry over the</p>

Element	Details
++UltmtDbtr +++Id ++++PrvtId +++++Othr	receiver of the RFP's Bank information (e.g., BIC and IBAN) when sending an IXB RTP Request for Payment to an international party. XML Tag: <Othr> Occurrence: [0..5]
INDEX: 2.215 CdtrPmtActvtnReq +PmtInf ++UltmtDbtr +++Id ++++PrvtId +++++Othr +++++Id	Name: Identification ISO Description: Unique and unambiguous identification of a person. Product Usage: Specific Identifier for the Ultimate Debtor within the Debtor's system of record (e.g. username, account name/ID, email address, etc.). XML Tag: <Id> Occurrence: [1..1] Length: 35 Example: MaxMustermann_1705
INDEX: 2.216 CdtrPmtActvtnReq +PmtInf ++UltmtDbtr +++Id ++++PrvtId +++++Othr +++++SchmeNm	Name: Scheme Name ISO Description: Name of the identification scheme. Product Usage: Used for additional information when the message is for IXB use cases. XML Tag: <SchmeNm> Occurrence: [0..1]
INDEX: 2.218 CdtrPmtActvtnReq +PmtInf ++UltmtDbtr +++Id ++++PrvtId +++++Othr +++++SchmeNm +++++Prtry	Name: Proprietary ISO Description: Name of the identification scheme, in a free text form. Product Usage: When 'Identification' is populated for IXB use cases, then the 'Proprietary' field should be populated to identify the Identification as BIC and IBAN. IXB specifications will be shared separately with RTP Participants participating in the IXB service. XML Tag: <Prtry> Occurrence: [1..1] Length: 35
INDEX: 2.237 CdtrPmtActvtnReq +PmtInf ++CdtTrfTx	Name: Credit Transfer Transaction ISO Description: Payment processes required to transfer cash from the debtor to the creditor. XML Tag: <CdtTrfTx> Occurrence: [1..1]

Element	Details
INDEX: 2.238 CdtrPmtActvtnReq +PmtInf ++CdtTrfTx +++PmtId	<p>Name: Payment Identification</p> <p>ISO Description: Set of elements used to reference a payment instruction.</p> <p>XML Tag: <PmtId></p> <p>Occurrence: [1..1]</p>
INDEX: 2.239 CdtrPmtActvtnReq +PmtInf ++CdtTrfTx +++PmtId ++++InstrId	<p>Name: Instruction Identification</p> <p>ISO Description: Unique identification as assigned by an instructing party for an instructed party to unambiguously identify the instruction.</p> <p>Usage: The instruction identification is a point to point reference that can be used between the instructing party and the instructed party to refer to the individual instruction. It can be included in several messages related to the instruction.</p> <p>Product Usage: For a Zelle RFP, this field must carry the Zelle Customer Event ID. For all other RFPs, this must be equal to the Payment Information ID.</p> <p>XML Tag: <InstrId></p> <p>Occurrence: [0..1]</p> <p>Format: see description for PaymentInformationIdentification</p> <p>Length: 35</p> <p>Example: 2017111202120020101BSRFP00000000013</p>
INDEX: 2.240 CdtrPmtActvtnReq +PmtInf ++CdtTrfTx +++PmtId ++++EndToEndId	<p>Name: End To End Identification</p> <p>ISO Description: Unique identification assigned by the initiating party to unambiguously identify the transaction. This identification is passed on, unchanged, throughout the entire end-to-end chain.</p> <p>Usage: The end-to-end identification can be used for reconciliation or to link tasks relating to the transaction. It can be included in several messages related to the transaction.</p> <p>Product Usage: The identifier is assigned by the sender of the Request for Payment and known by both the sender and receiver. This is the customer reference for the transaction. The end-to-end identification must be passed on throughout the entire end-to-end chain.</p> <p>The end-to-end identification can be used for reconciliation or to link tasks relating to the transaction from the Creditor to the Debtor. It can be included in several messages related to the transaction.</p> <p>XML Tag: <EndToEndId></p> <p>Occurrence: [1..1]</p> <p>Length: 35</p> <p>Note(s): If the end-user does not provide a reference number for an RFP, TCH recommends the use of 'NOREF' within the End To End ID field.</p>

Element	Details
INDEX: 2.241 CdtrPmtActvtnReq +PmtInf ++CdtTrfTx +++PmtId ++++UETR	<p>Example: E2E-Ref001</p> <p>Name: UETR</p> <p>ISO Description: Universally unique identifier to provide an end-to-end reference of a payment transaction.</p> <p>Product Usage: The UETR identifier is assigned by the instructing agent to link an RTP message to services or arrangements outside of the RTP network. If used, the same UETR should be passed on throughout the entire payment chain without being changed. The ability to include a UETR identifier in an RTP message does not mean that RTP messages can be used as part of a larger end-to-end transfer or as a cover payment. Readers should refer to the RTP Operating Rules to determine permissible uses of RTP messages.</p> <p>XML Tag: <UETR></p> <p>Occurrence: [0..1]</p> <p>Length: 36</p> <p>RegEx: [a-f0-9]{8}-[a-f0-9]{4}-4[a-f0-9]{3}-[89ab][a-f0-9]{3}-[a-f0-9]{12}</p> <p>Example: eb6305c9-1f7f-49de-aed0-16487c27b42d</p>
INDEX: 2.242 CdtrPmtActvtnReq +PmtInf ++CdtTrfTx +++PmtTpInf	<p>Name: Payment Type Information</p> <p>ISO Description: Set of elements used to further specify the type of transaction.</p> <p>XML Tag: <PmtTpInf></p> <p>Occurrence: [1..1]</p>
INDEX: 2.244 CdtrPmtActvtnReq +PmtInf ++CdtTrfTx +++PmtTpInf ++++SvcLvl	<p>Name: Service Level</p> <p>ISO Description: Agreement under which or rules under which the transaction should be processed.</p> <p>XML Tag: <SvcLvl></p> <p>Occurrence: [1..1]</p>
INDEX: 2.245 CdtrPmtActvtnReq +PmtInf ++CdtTrfTx +++PmtTpInf ++++SvcLvl +++++Cd	<p>Name: Code</p> <p>ISO Description: Specifies a pre-agreed service or level of service between the parties, as published in an external service level code list.</p> <p>Product Usage: The Service level of the transaction. 'SDVA' means Payment must be executed with same day value to the creditor (for RTP this will be done in seconds).</p> <p>XML Tag: <Cd></p> <p>Occurrence: [1..1]</p> <p>Length: 4</p> <p>Rule(s): Expected value of 'SDVA'</p> <p>Reason Code(s): The RTP Network will reject with code '650' in Administration Advice message (admi.002) if Service Level Code is not valid.</p>

Element	Details
	<p>Note(s): This is a mandatory ISO field required for the message type, but not used by RTP.</p> <p>Example: SDVA</p>
<p>INDEX: 2.247 CdtrPmtActvtnReq +PmtInf ++CdtTrfTx +++PmtTpInf ++++LclInstrm</p>	<p>Permitted Codes</p> <p>SDVA SameDayValue</p> <p>Name: Local Instrument</p> <p>ISO Description: User community specific instrument.</p> <p>Usage: This element is used to specify a local instrument, local clearing option and/or further qualify the service or service level.</p> <p>Product Usage: Identifies the type of the payment initiated by Sender of the message. This element also indicates whether the payment initiation origin from a</p> <ul style="list-style-type: none"> - domestic customer - Third Party Provider (intermediary) or - ZELLE. <p>XML Tag: <LclInstrm></p> <p>Occurrence: [1..1]</p> <p>Note(s): Only Proprietary element is allowed.</p>
<p>INDEX: 2.249 CdtrPmtActvtnReq +PmtInf ++CdtTrfTx +++PmtTpInf ++++LclInstrm ++++Prtry</p>	<p>Name: Proprietary</p> <p>ISO Description: Specifies the local instrument, as a proprietary code.</p> <p>Product Usage: Identifies the origination condition of the instruction so as to allow the instructed agent to properly process the transaction.</p> <p>XML Tag: <Prtry></p> <p>Occurrence: [1..1]</p> <p>Length: 35</p> <p>Example: STANDARD</p> <p>Permitted Codes</p> <p>INTERMEDIARY Payment sent through a Payment Service Provider (domestic). If this code is used, one of “Ultimate Debtor” or “Ultimate Creditor” must be present.</p> <p>IXB Immediate Cross Border RTP Payment. If this code is used, one of “Ultimate Debtor” or “UltimateCreditor” must be present.</p> <p>STANDARD Standard RTP payment</p> <p>ZELLE Instruction originated as a Zelle message.</p>

Element	Details
INDEX: 2.250 CdtrPmtActvtnReq +PmtInf ++CdtTrfTx +++PmtTpInf ++++CtgyPurp	Name: Category Purpose ISO Description: Specifies the high level purpose of the instruction based on a set of pre-defined categories. Usage: This is used by the initiating party to provide information concerning the processing of the payment. It is likely to trigger special processing by any of the agents involved in the payment chain. XML Tag: <CtgyPurp> Occurrence: [1..1] Note(s): Only element Proprietary is allowed
INDEX: 2.252 CdtrPmtActvtnReq +PmtInf ++CdtTrfTx +++PmtTpInf ++++CtgyPurp +++++Prtry	Name: Proprietary ISO Description: Category purpose, in a proprietary form. Product Usage: Identifies the Debtor/Sender as either a business or consumer customer of the Debtor FI. XML Tag: <Prtry> Occurrence: [1..1] Length: 35 Note(s): This field will assist Member FIs in identifying whether the Debtor/Sender is a consumer or business of the Debtor FI. This field will assist Member FIs in identifying whether the sender of the message is a consumer or business. Note, intermediated transactions that are submitted by a PSP on behalf of an end customer must carry the entity type of the PSP (which should be "BUSINESS"). Example: CONSUMER
Permitted Codes	
	BUSINESS Business initiated payment CONSUMER Consumer initiated payment
INDEX: 2.253 CdtrPmtActvtnReq +PmtInf ++CdtTrfTx +++PmtCond	Name: Payment Condition ISO Description: Conditions for the execution of the payment. XML Tag: <PmtCond> Occurrence: [0..1]
INDEX: 2.254 CdtrPmtActvtnReq +PmtInf ++CdtTrfTx +++PmtCond ++++AmtModAllwd	Name: Amount Modification Allowed ISO Description: Indicates if the debtor is allowed to pay a different amount than the requested amount. Product Usage: Indicator if the exact amount indicated in Instructed Amount must be paid, or if under/over payment is permitted. true - Amount may be modified by the Debtor false - Amount of payment must equal the Instructed Amount XML Tag: <AmtModAllwd>

Element	Details
	<p>Occurrence: [1..1]</p> <p>Format: Only value 'true' or 'false' is allowed.</p> <p>Length: 5</p> <p>Note(s): The system does not validate that the payment made matches the Instructed Amount if the Creditor FI indicates 'false'.</p>
<p>INDEX: 2.255</p> <p>CdtrPmtActvtnReq +PmtInf ++CdtTrfTx +++PmtCond ++++EarlyPmtAllwd</p>	<p>Name: Early Payment Allowed</p> <p>ISO Description: Indicates if the debtor is allowed to pay before the requested execution date.</p> <p>Product Usage: Indicator if payment can be made prior to the Requested Execution Date. true - Payment may be made any time before or on the Requested Execution Date false - Payment may not be made any time before the requested Execution Date</p> <p>XML Tag: <EarlyPmtAllwd></p> <p>Occurrence: [1..1]</p> <p>Format: Only value 'true' or 'false' is allowed.</p> <p>Length: 5</p> <p>Note(s): The value of 'false' should not be used in RTP. If Early Payment Allowed element is used, the value should always be set to 'true' by the sending participant. The system does not validate that the payment is made on the Requested Execution Date if the Creditor FI indicates 'false'. If a participant receives a value of 'false' in this field, the transaction should not be rejected, and the participant should interpret the value as 'true'.</p>
<p>INDEX: 2.261</p> <p>CdtrPmtActvtnReq +PmtInf ++CdtTrfTx +++PmtCond ++++GrntedPmtReqd</p>	<p>Name: Guaranteed Payment Requested</p> <p>ISO Description: Indicates if a payment guarantee is requested, assuming a payment guarantee contract exists between the different actors.</p> <p>Product Usage: Mandatory field to indicate whether a guaranteed payment is requested. true - The Creditor requests a payment guarantee if the Debtor schedules a payment. false - The Creditor does not request a payment guarantee if the Debtor schedules a payment.</p> <p>XML Tag: <GrntedPmtReqd></p> <p>Occurrence: [1..1]</p> <p>Format: Only value 'true' or 'false' is allowed.</p> <p>Length: 5</p> <p>Note(s): For Guaranteed Payment Request, the value 'true' should not be used in RTP. . If a Receiving bank receives a value of 'true' in this field, the transaction should not be rejected, the participant should interpret the value as 'false'. For future use, If a guaranteed payment is requested, and the Debtor schedules a payment, the Debtor FI must indicate whether they are guaranteeing that the payment will be sent in the Payment Conditions / Guaranteed Payment field of the Response to Request for Payment (pain.014) message. RTP does not validate or guarantee that a transaction is actually sent on the indicated date if a guaranteed payment is indicated by the Debtor FI in the Response to Request for</p>

Element	Details
<p>INDEX: 2.262</p> <p>CdtrPmtActvtnReq +PmtInf ++CdtTrfTx +++Amt</p>	<p>Payment (pain.014) message.</p> <p>Name: Amount</p> <p>ISO Description: Amount of money to be moved between the debtor and creditor, before deduction of charges, expressed in the currency as ordered by the initiating party.</p> <p>XML Tag: <Amt></p> <p>Occurrence: [1..1]</p>
<p>INDEX: 2.263</p> <p>CdtrPmtActvtnReq +PmtInf ++CdtTrfTx +++Amt ++++InstdAmt</p>	<p>Name: Instructed Amount</p> <p>ISO Description: Amount of money to be moved between the debtor and creditor, before deduction of charges, expressed in the currency as ordered by the initiating party.</p> <p>Usage: This amount has to be transported unchanged through the transaction chain.</p> <p>Product Usage: The amount of money the sender of the Request for Payment message requests to be paid by the receiver of the message. Attribute is the currency code of amount.</p> <p>XML Tag: <InstdAmt></p> <p>Occurrence: [1..1]</p> <p>Rule(s): Amount must comply with the scheme rules.</p> <p>Reason Code(s): The RTP Network will reject with code '650' in Administration Advice message (admi.002) if:</p> <ul style="list-style-type: none"> - The value of the request is less than or equal to zero - The value is greater than supported by the ISO definition for the maximum number of digits - The number of decimal digits is greater than the specified number of digits as defined by the ISO4217 definition <p>Note(s): RTP only supports USD and the maximum decimal digits are two.</p> <p>Example: 310.5</p> <p>Frac Digits: 2</p> <p>Total Digits: 18</p>
<p>INDEX: 2.264</p>	<p>Name: Currency</p> <p>ISO Description: A code allocated to a currency by a Maintenance Agency under an international identification scheme, as described in the latest edition of the international standard ISO 4217 "Codes for the representation of currencies and funds".</p> <p>XML Tag: <Ccy></p> <p>RegEx: [A-Z]{3,3}</p> <p>Length: 3</p> <p>Rule(s): Currency must be a currency that is supported by RTP (US Dollar).</p>

Element	Details
	<p>Reason Code(s): The RTP Network will reject with code '650' in Administration Advice message (admi.002) if:</p> <ul style="list-style-type: none"> - The currency code is not valid <p>Reject with code 'AM11' in Message Status Report (pacs.002) if:</p> <ul style="list-style-type: none"> - The currency code is not supported by RTP <p>Example: USD</p>
	<p>Permitted Codes</p>
	<p>USD US Dollar</p>
<p>INDEX: 2.269</p> <p>CdtrPmtActvtnReq +PmtInf ++CdtTrfTx +++ChrgBr</p>	<p>Name: Charge Bearer</p> <p>ISO Description: Specifies which party/parties will bear the charges associated with the processing of the payment transaction.</p> <p>Product Usage: There will be no charging for RTP payments. Hence, 'SLEV' will be used in this field, which indicates that a service level agreement determines how charges are to be applied. RTP Rules will serve as the agreement and will specify no charging</p> <p>XML Tag: <ChrgBr></p> <p>Occurrence: [1..1]</p> <p>Length: 4</p> <p>Rule(s): Expected value of 'SLEV'. Others values are not supported as charges are applied external to RTP.</p> <p>Reason Code(s): The RTP Network will reject with code '650' in Administration Advice message (admi.002) if Charge Bearer Code is not valid.</p> <p>Note(s): This is a mandatory ISO field and must be populated, but it is not used by RTP.</p> <p>Example: SLEV</p>
	<p>Permitted Codes</p>
	<p>SLEV FollowingServiceLevel</p>
<p>INDEX: 2.585</p> <p>CdtrPmtActvtnReq +PmtInf ++CdtTrfTx +++CdtrAgt</p>	<p>Name: Creditor Agent</p> <p>ISO Description: Financial institution servicing an account for the creditor.</p> <p>Product Usage: Except for special use cases, such as IXB, this is the Creditor FI that holds the account for the Creditor. Notwithstanding the ISO term 'agent' this entity will always be a Participant and party to a RTP payment. IXB specifications will be shared separately with RTP Participants participating in the IXB service.</p> <p>XML Tag: <CdtrAgt></p> <p>Occurrence: [1..1]</p>
<p>INDEX: 2.586</p>	<p>Name: Financial Institution Identification</p>

Element	Details
CdtrPmtActvtnReq +PmtInf ++CdtTrfTx +++CdtrAgt ++++FinInstnId	<p>ISO Description: Unique and unambiguous identification of a financial institution, as assigned under an internationally recognised or proprietary identification scheme.</p> <p>XML Tag: <FinInstnId></p> <p>Occurrence: [1..1]</p>
INDEX: 2.588	Name: Clearing System Member Identification
CdtrPmtActvtnReq +PmtInf ++CdtTrfTx +++CdtrAgt ++++FinInstnId ++++ClrSysMmbld	<p>ISO Description: Information used to identify a member within a clearing system.</p> <p>XML Tag: <ClrSysMmbld></p> <p>Occurrence: [1..1]</p>
INDEX: 2.592	Name: Member Identification
CdtrPmtActvtnReq +PmtInf ++CdtTrfTx +++CdtrAgt ++++FinInstnId ++++ClrSysMmbld +++++Mmbld	<p>ISO Description: Identification of a member of a clearing system.</p> <p>Product Usage: Identifier of the Creditor FI that is sending the Request for Payment. If the Creditor Account is a token, this may be a token Routing and Transit Number.</p> <p>XML Tag: <Mmbld></p> <p>Occurrence: [1..1]</p> <p>Format: 9 character Routing and Transit Number (alphabetic characters may be present)</p> <p>Length: 9</p> <p>Rule(s): Member Identification must be valid 9 character Routing and Transit Number. This routing and transit number will also be used by the Receiving FI for routing purposes when creating any subsequent payment and non-payment messages (e.g, Credit Transfer).</p> <p>Reason Code(s): Reject with Message Status Report (pacs.002) if:</p> <ul style="list-style-type: none"> - Sender is not authorized to send this business message (reason code 'AG03') - Agent is signed-off (reason code '9934') - Agent is suspended (reason code '9946') - the sender of the message is not authorized to submit messages on behalf of this agent (reason code 'DS0H') <p>The RTP Network will reject with code '650' in Administration Advice message (admi.002) if Routing and Transit number is not included in the RTP routing database.</p> <p>Example: 11400223</p>
INDEX: 2.649	Name: Creditor
CdtrPmtActvtnReq +PmtInf ++CdtTrfTx	<p>ISO Description: Party to which an amount of money is due.</p> <p>Product Usage: The party (Receiver) that receives payment from the Debtor / Sender.</p>

Element	Details
+++Cdtr	<p>XML Tag: <Cdtr></p> <p>Occurrence: [1..1]</p>
<p>INDEX: 2.650</p> <p>CdtrPmtActvtnReq +PmtInf ++CdtrTrfTx +++Cdtr ++++Nm</p>	<p>Name: Name</p> <p>ISO Description: Name by which a party is known and which is usually used to identify that party.</p> <p>Product Usage: Creditor Name; this is the legal name of the owner(s) of the account of the pain.013 Message Sender. In certain circumstances, an additional party may also need to be identified (e.g., when the Message Sender's account is an FBO account).</p> <p>XML Tag: <Nm></p> <p>Occurrence: [1..1]</p> <p>Length: 140</p> <p>Example: Creditor Name</p>
<p>INDEX: 2.651</p> <p>CdtrPmtActvtnReq +PmtInf ++CdtrTrfTx +++Cdtr ++++PstlAdr</p>	<p>Name: Postal Address</p> <p>ISO Description: Information that locates and identifies a specific address, as defined by postal services.</p> <p>XML Tag: <PstlAdr></p> <p>Occurrence: [0..1]</p> <p>Rule(s): Only structured Address possible plus one Address Line available. If Postal Address is included, Street Name, Post Code, Town Name, Country Subdivision, and Country are required.</p>
<p>INDEX: 2.660</p> <p>CdtrPmtActvtnReq +PmtInf ++CdtrTrfTx +++Cdtr ++++PstlAdr +++++StrtNm</p>	<p>Name: Street Name</p> <p>ISO Description: Name of a street or thoroughfare.</p> <p>XML Tag: <StrtNm></p> <p>Occurrence: [1..1]</p> <p>Length: 70</p> <p>Example: Park Lane</p>
<p>INDEX: 2.661</p> <p>CdtrPmtActvtnReq +PmtInf ++CdtrTrfTx +++Cdtr ++++PstlAdr +++++BldgNb</p>	<p>Name: Building Number</p> <p>ISO Description: Number that identifies the position of a building on a street.</p> <p>XML Tag: <BldgNb></p> <p>Occurrence: [0..1]</p> <p>Length: 16</p> <p>Note(s): This is an optional field, even when Postal Address is present. Building number, when it is used, should be displayed to the end user directly ahead of Street Name. This field is not to be used as a second address line.</p> <p>Example: 45</p>
INDEX: 2.666	<p>Name: Post Code</p>

Element	Details
CdtrPmtActvtnReq +PmtInf ++CdtTrfTx +++Cdtr ++++PstlAdr +++++PstCd	ISO Description: Identifier consisting of a group of letters and/or numbers that is added to a postal address to assist the sorting of mail. XML Tag: <PstCd> Occurrence: [1..1] Length: 16 Example: 10016
INDEX: 2.667	Name: Town Name
CdtrPmtActvtnReq +PmtInf ++CdtTrfTx +++Cdtr ++++PstlAdr +++++TwnNm	ISO Description: Name of a built-up area, with defined boundaries, and a local government. XML Tag: <TwnNm> Occurrence: [1..1] Length: 35 Example: New York City
INDEX: 2.670	Name: Country Sub Division
CdtrPmtActvtnReq +PmtInf ++CdtTrfTx +++Cdtr ++++PstlAdr +++++CtrySubDvsn	ISO Description: Identifies a subdivision of a country such as state, region, county. Product Usage: Identifies the state (could include full name or two character state abbreviation). XML Tag: <CtrySubDvsn> Occurrence: [1..1] Length: 35 Example: New York
INDEX: 2.671	Name: Country
CdtrPmtActvtnReq +PmtInf ++CdtTrfTx +++Cdtr ++++PstlAdr +++++Ctry	ISO Description: Nation with its own government. XML Tag: <Ctry> Occurrence: [1..1] RegEx: [A-Z]{2,2} Length: 2 Rule(s): The code is checked against the list of country names obtained from the United Nations (ISO 3166, Alpha-2 code). Example: US
INDEX: 2.672	Name: Address Line
CdtrPmtActvtnReq +PmtInf ++CdtTrfTx +++Cdtr	ISO Description: Information that locates and identifies a specific address, as defined by postal services, presented in free format text. XML Tag: <AdrLine> Occurrence: [0..1]

Element	Details
++++PstlAdr +++++AdrLine	<p>Length: 70</p> <p>Note(s): Only one occurrence of this field is permitted and it is to be used as an "Address Line 2". When displaying an address to an end user, this field should appear directly after or below Street Name and directly before or above Town Name.</p> <p>Example: c/o The Clearing House</p>
INDEX: 2.673 CdtrPmtActvtnReq +PmtInf ++CdtTrfTx +++Cdtr ++++Id	<p>Name: Identification</p> <p>ISO Description: Unique and unambiguous identification of a party.</p> <p>Product Usage: Either element Private Identification / Date and Place of Birth (private) or Organisation Identification (business) are available.</p> <p>XML Tag: <Id></p> <p>Occurrence: [0..1]</p>
INDEX: 2.674 Choice: {Or CdtrPmtActvtnReq +PmtInf ++CdtTrfTx +++Cdtr ++++Id +++++OrgId	<p>Name: Organisation Identification</p> <p>ISO Description: Unique and unambiguous way to identify an organisation.</p> <p>XML Tag: <OrgId></p> <p>Occurrence: [1..1]</p>
INDEX: 2.676 CdtrPmtActvtnReq +PmtInf ++CdtTrfTx +++Cdtr ++++Id +++++OrgId +++++LEI	<p>Name: LEI</p> <p>ISO Description: Legal entity identification as an alternate identification for a party.</p> <p>Product Usage: Optional legal entity identifier when the referenced party is not a consumer.</p> <p>XML Tag: <LEI></p> <p>Occurrence: [1..1]</p> <p>RegEx: [A-Z0-9]{18,18}[0-9]{2,2}</p> <p>Length: 20</p> <p>Example: 54930084UKLVMY22DS16</p>
INDEX: 2.683 Choice: Or} CdtrPmtActvtnReq +PmtInf ++CdtTrfTx +++Cdtr ++++Id	<p>Name: Private Identification</p> <p>ISO Description: Unique and unambiguous identification of a person, for example a passport.</p> <p>XML Tag: <PrvtId></p> <p>Occurrence: [1..1]</p>

Element	Details
+++++PrvtId INDEX: 2.684 CdtrPmtActvtnReq +PmtInf ++CdtTrfTx +++Cdtr ++++Id +++++PrvtId +++++DtAndPlcOfBirth	Name: Date And Place Of Birth ISO Description: Date and place of birth of a person. XML Tag: <DtAndPlcOfBirth> Occurrence: [1..1]
INDEX: 2.685 CdtrPmtActvtnReq +PmtInf ++CdtTrfTx +++Cdtr ++++Id +++++PrvtId +++++DtAndPlcOfBirth +++++BirthDt	Name: Birth Date ISO Description: Date on which a person is born. XML Tag: <BirthDt> Occurrence: [1..1] Format: YYYY-MM-DD Length: 10 Example: 1969-06-28
INDEX: 2.687 CdtrPmtActvtnReq +PmtInf ++CdtTrfTx +++Cdtr ++++Id +++++PrvtId +++++DtAndPlcOfBirth +++++CityOfBirth	Name: City Of Birth ISO Description: City where a person was born. XML Tag: <CityOfBirth> Occurrence: [1..1] Length: 35 Note(s): This field is a mandatory ISO field if Date and Place of Birth is utilized, but the content of the field will not be validated by the system. Example: City ABC
INDEX: 2.688 CdtrPmtActvtnReq +PmtInf ++CdtTrfTx +++Cdtr ++++Id +++++PrvtId +++++DtAndPlcOfBirth +++++CtryOfBirth	Name: Country Of Birth ISO Description: Country where a person was born. XML Tag: <CtryOfBirth> Occurrence: [1..1] RegEx: [A-Z]{2,2} Length: 2 Rule(s): The code is checked against the list of country names obtained from the United Nations (ISO 3166, Alpha-2 code).

Element	Details
	Example: US
INDEX: 2.696 CdtrPmtActvtnReq +PmtInf ++CdtTrfTx +++Cdtr ++++CtctDtls	Name: Contact Details ISO Description: Set of elements used to indicate how to contact the party. XML Tag: <CtctDtls> Occurrence: [0..1]
INDEX: 2.699 CdtrPmtActvtnReq +PmtInf ++CdtTrfTx +++Cdtr ++++CtctDtls +++++PhneNb	Name: Phone Number ISO Description: Collection of information that identifies a phone number, as defined by telecom services. Product Usage: This element is used to provide contact information for the Creditor in case the Debtor needs to contact the Creditor directly regarding questions related to the Request for Payment. XML Tag: <PhneNb> Occurrence: [0..1] Format: Format expression: \+[0-9]{1,3}-[0-9()+\-]{1,30} First position fixed value '+' followed up to 3 numeric positions followed by the fixed value '-'. After these values up to 30 numeric characters including the values '()'+' and - RegEx: \+[0-9]{1,3}-[0-9()+\-]{1,30} Length: 35 Example: +1-555-123-4567 +1-5551234567
INDEX: 2.711 CdtrPmtActvtnReq +PmtInf ++CdtTrfTx +++CdtrAcct	Name: Creditor Account ISO Description: Unambiguous identification of the account of the creditor to which a credit entry will be posted as a result of the payment transaction. XML Tag: <CdtrAcct> Occurrence: [1..1]
INDEX: 2.712 CdtrPmtActvtnReq +PmtInf ++CdtTrfTx +++CdtrAcct ++++Id	Name: Identification ISO Description: Unique and unambiguous identification for the account between the account owner and the account servicer. XML Tag: <Id> Occurrence: [1..1]
INDEX: 2.714 CdtrPmtActvtnReq	Name: Other ISO Description: Unique identification of an account, as assigned by the account servicer, using an identification scheme.

Element	Details
+PmtInf ++CdtTrfTx +++CdtrAcct ++++Id +++++Othr	<p>Product Usage: Unique identification of an account, as assigned by the Creditor FI.</p> <p>XML Tag: <Othr></p> <p>Occurrence: [1..1]</p>
<p>INDEX: 2.715</p> CdtrPmtActvtnReq +PmtInf ++CdtTrfTx +++CdtrAcct ++++Id +++++Othr ++++++Id	<p>Name: Identification</p> <p>ISO Description: Identification assigned by an institution.</p> <p>Product Usage: Identification of the account, this could be a tokenized account number or an account number in the clear.</p> <p>XML Tag: <Id></p> <p>Occurrence: [1..1]</p> <p>Length: 34</p> <p>Example: 120001795121990099</p>
<p>INDEX: 2.724</p> CdtrPmtActvtnReq +PmtInf ++CdtTrfTx +++CdtrAcct ++++Nm	<p>Name: Name</p> <p>ISO Description: Name of the account, as assigned by the account servicing institution, in agreement with the account owner in order to provide an additional means of identification of the account.</p> <p>Usage: The account name is different from the account owner name. The account name is used in certain user communities to provide a means of identifying the account, in addition to the account owner's identity and the account number.</p> <p>Product Usage: Name by which the creditor is known to the debtor.</p> <p>This field may be used when a different name for the pain.013 Message Sender/Creditor will be more readily recognizable to the Message Receiver than the Creditor Name provided in the name field (index 2.650). For example, this may be the case where the Message Sender has a “doing business as” or trade name.</p> <p>In certain cases, this field may be used where the Message Sender sends a Request for Payment on behalf of a partner organization. Such arrangements are subject to the RTP Rules and Rules interpretations.</p> <p>XML Tag: <Nm></p> <p>Occurrence: [0..1]</p> <p>Length: 70</p>

INDEX: 2.730

CdtrPmtActvtnReq
+PmtInf
++CdtTrfTx
+++UltmtCdtr

Name: Ultimate Creditor

ISO Description: Ultimate party to which an amount of money is due.

Product Usage: Ultimate Creditor may only be used when Local Instrument / Proprietary code is set to 'INTERMEDIARY', 'ZELLE', or 'IXB'.
See guidelines for these use cases for a description of how Ultimate Creditor is used.

XML Tag: <UltmtCdtr>

Occurrence: [0..1]

INDEX: 2.731

CdtrPmtActvtnReq
+PmtInf
++CdtTrfTx

Name: Name

ISO Description: Name by which a party is known and which is usually used to identify that party.

XML Tag: <Nm>

Element	Details
+++UltmtCdtr ++++Nm	Occurrence: [1..1] Length: 140
INDEX: 2.732 CdtrPmtActvtnReq +PmtInf ++CdtTrfTx +++UltmtCdtr ++++PstlAdr	Name: Postal Address ISO Description: Information that locates and identifies a specific address, as defined by postal services. XML Tag: <PstlAdr> Occurrence: [0..1] Rule(s): Only structured Address possible plus one Address Line available. If Postal Address is included, Street Name, Post Code, Town Name, Country Subdivision, and Country are required.
INDEX: 2.741 CdtrPmtActvtnReq +PmtInf ++CdtTrfTx +++UltmtCdtr ++++PstlAdr +++++StrtNm	Name: Street Name ISO Description: Name of a street or thoroughfare. XML Tag: <StrtNm> Occurrence: [1..1] Length: 70 Example: Park Lane
INDEX: 2.742 CdtrPmtActvtnReq +PmtInf ++CdtTrfTx +++UltmtCdtr ++++PstlAdr +++++BldgNb	Name: Building Number ISO Description: Number that identifies the position of a building on a street. XML Tag: <BldgNb> Occurrence: [0..1] Length: 16 Note(s): This is an optional field, even when Postal Address is present. Building number, when it is used, should be displayed to the end user directly ahead of Street Name. This field is not to be used as a second address line. Example: 45, Apt. 203
INDEX: 2.747 CdtrPmtActvtnReq +PmtInf ++CdtTrfTx +++UltmtCdtr ++++PstlAdr +++++PstCd	Name: Post Code ISO Description: Identifier consisting of a group of letters and/or numbers that is added to a postal address to assist the sorting of mail. XML Tag: <PstCd> Occurrence: [1..1] Length: 16 Example: 10016
INDEX: 2.748 CdtrPmtActvtnReq +PmtInf	Name: Town Name ISO Description: Name of a built-up area, with defined boundaries, and a local government.

Element	Details
++CdtTrfTx +++UltmtCdtr ++++PstlAdr +++++TwnNm	XML Tag: <TwnNm> Occurrence: [1..1] Length: 35 Example: Chicago
INDEX: 2.751 CdtrPmtActvtnReq +PmtInf ++CdtTrfTx +++UltmtCdtr ++++PstlAdr +++++CtrySubDvsn	Name: Country Sub Division ISO Description: Identifies a subdivision of a country such as state, region, county. Product Usage: Identifies the state (could include full name or two character state abbreviation). XML Tag: <CtrySubDvsn> Occurrence: [1..1] Length: 35 Example: Illinois
INDEX: 2.752 CdtrPmtActvtnReq +PmtInf ++CdtTrfTx +++UltmtCdtr ++++PstlAdr +++++Ctry	Name: Country ISO Description: Nation with its own government. XML Tag: <Ctry> Occurrence: [1..1] RegEx: [A-Z]{2,2} Length: 2 Rule(s): The code is checked against the list of country names obtained from the United Nations (ISO 3166, Alpha-2 code). Example: US
INDEX: 2.753 CdtrPmtActvtnReq +PmtInf ++CdtTrfTx +++UltmtCdtr ++++PstlAdr +++++AdrLine	Name: Address Line ISO Description: Information that locates and identifies a specific address, as defined by postal services, presented in free format text. XML Tag: <AdrLine> Occurrence: [0..1] Length: 70 Note(s): Only one occurrence of this field is permitted and it is to be used as an "Address Line 2". When displaying an address to an end user, this field should appear directly after or below Street Name and directly before or above Town Name. Example: c/o The Clearing House
INDEX: 2.754 CdtrPmtActvtnReq +PmtInf ++CdtTrfTx	Name: Identification ISO Description: Unique and unambiguous identification of a party. Product Usage: This element is used on a conditional basis for Identification of any other specific identifier of the ultimate recipient.

Element	Details
+++UltmtCdtr ++++Id	<p>XML Tag: <Id></p> <p>Occurrence: [0..1]</p> <p>Note(s): Either one element PrivateIdentification / Other or OrganisationIdentification / LEI is being used.</p>
<p>INDEX: 2.755</p> <p>Choice: {Or CdtrPmtActvtnReq +PmtInf ++CdtTrfTx +++UltmtCdtr ++++Id ++++OrgId</p>	<p>Name: Organisation Identification</p> <p>ISO Description: Unique and unambiguous way to identify an organisation.</p> <p>XML Tag: <OrgId></p> <p>Occurrence: [1..1]</p>
<p>INDEX: 2.757</p> <p>CdtrPmtActvtnReq +PmtInf ++CdtTrfTx +++UltmtCdtr ++++Id ++++OrgId +++++LEI</p>	<p>Name: LEI</p> <p>ISO Description: Legal entity identification as an alternate identification for a party.</p> <p>Product Usage: Optional legal entity identifier when the referenced party is not a consumer.</p> <p>XML Tag: <LEI></p> <p>Occurrence: [0..1]</p> <p>RegEx: [A-Z0-9]{18,18}[0-9]{2,2}</p> <p>Length: 20</p> <p>Note(s): LEI has to be present if Othr is not present under Id>>OrgId.</p> <p>Example: 54930084UKLVMY22DS16</p>
<p>INDEX: 2.758</p> <p>CdtrPmtActvtnReq +PmtInf ++CdtTrfTx +++UltmtCdtr ++++Id +++++OrgId +++++Othr</p>	<p>Name: Other</p> <p>ISO Description: Unique identification of an organisation, as assigned by an institution, using an identification scheme.</p> <p>Product Usage: In the case of a Business Ultimate Creditor, the first two instances of Identification may be populated to carry over the Sender of the RFP's Bank information (e.g., BIC and IBAN) when receiving an IXB RTP Request for Payment from an international party.</p> <p>XML Tag: <Othr></p> <p>Occurrence: [0..5]</p>
<p>INDEX: 2.759</p> <p>CdtrPmtActvtnReq +PmtInf ++CdtTrfTx +++UltmtCdtr</p>	<p>Name: Identification</p> <p>ISO Description: Identification assigned by an institution.</p> <p>Product Usage: Within RTP, the sender of the message will populate this field with the beneficiary IBAN and bank BIC for IXB use cases.</p> <p>XML Tag: <Id></p>

Element	Details
++++Id ++++OrgId +++++Othr +++++Id	Occurrence: [1..1] Length: 35
INDEX: 2.760 CdtrPmtActvtnReq +PmtInf ++CdtTrfTx +++UltmtCdtr ++++Id ++++OrgId +++++Othr +++++SchmeNm	Name: Scheme Name ISO Description: Name of the identification scheme. Product Usage: Used for additional information when the message is for IXB use cases. XML Tag: <SchmeNm> Occurrence: [0..1]
INDEX: 2.762 CdtrPmtActvtnReq +PmtInf ++CdtTrfTx +++UltmtCdtr ++++Id ++++OrgId +++++Othr +++++SchmeNm +++++Prtry	Name: Proprietary ISO Description: Name of the identification scheme, in a free text form. Product Usage: When 'Identification' is populated for IXB use cases, then the 'Proprietary' field should identify whether the Identification is either BIC or IBAN as appropriate. XML Tag: <Prtry> Occurrence: [1..1] Length: 35 Example: BIC
INDEX: 2.764 Choice: Or} CdtrPmtActvtnReq +PmtInf ++CdtTrfTx +++UltmtCdtr ++++Id ++++PrvtId	Name: Private Identification ISO Description: Unique and unambiguous identification of a person, for example a passport. XML Tag: <PrvtId> Occurrence: [1..1]
INDEX: 2.765 CdtrPmtActvtnReq +PmtInf ++CdtTrfTx +++UltmtCdtr	Name: Date And Place Of Birth ISO Description: Date and place of birth of a person. XML Tag: <DtAndPlcOfBirth> Occurrence: [0..1]

Element	Details
++++Id +++++PrvtId +++++DtAndPlcOfBirth INDEX: 2.766 CdtrPmtActvtnReq +PmtInf ++CdtTrfTx +++UltmtCdtr ++++Id +++++PrvtId +++++DtAndPlcOfBirth ++++++BirthDt	Name: Birth Date ISO Description: Date on which a person is born. XML Tag: <BirthDt> Occurrence: [1..1] Format: YYYY-MM-DD Length: 10 Example: 1950-09-27
INDEX: 2.768 CdtrPmtActvtnReq +PmtInf ++CdtTrfTx +++UltmtCdtr ++++Id +++++PrvtId +++++DtAndPlcOfBirth ++++++CityOfBirth	Name: City Of Birth ISO Description: City where a person was born. XML Tag: <CityOfBirth> Occurrence: [1..1] Length: 35 Note(s): This field is a mandatory ISO field if Date and Place of Birth is utilized, but the content of the field will not be validated by the system. Example: City ABC
INDEX: 2.769 CdtrPmtActvtnReq +PmtInf ++CdtTrfTx +++UltmtCdtr ++++Id +++++PrvtId +++++DtAndPlcOfBirth ++++++CtryOfBirth	Name: Country Of Birth ISO Description: Country where a person was born. XML Tag: <CtryOfBirth> Occurrence: [1..1] RegEx: [A-Z]{2,2} Length: 2 Rule(s): The code is checked against the list of country names obtained from the United Nations (ISO 3166, Alpha-2 code). Example: US
INDEX: 2.770 CdtrPmtActvtnReq +PmtInf ++CdtTrfTx +++UltmtCdtr	Name: Other ISO Description: Unique identification of a person, as assigned by an institution, using an identification scheme. Product Usage: In the case of a Consumer/Person Ultimate Creditor, the first two instances of Identification may be populated to carry over the Sender of the RFP's Bank information (e.g., BIC and IBAN) when receiving an IXB RTP Request for Payment from an international party.

Element	Details
++++Id ++++PrvtId ++++Othr	IXB specifications will be shared separately with RTP Participants participating in the IXB service. XML Tag: <Othr> Occurrence: [0..5]
INDEX: 2.771 CdtrPmtActvtnReq +PmtInf ++CdtTrfTx +++UltmtCdtr ++++Id ++++PrvtId ++++Othr ++++Id	Name: Identification ISO Description: Unique and unambiguous identification of a person. Product Usage: Specific Identifier for the Ultimate Creditor within the Creditor's system of record (e.g. username, account name/ID, email address, etc.). XML Tag: <Id> Occurrence: [1..1] Length: 35
INDEX: 2.772 CdtrPmtActvtnReq +PmtInf ++CdtTrfTx +++UltmtCdtr ++++Id ++++PrvtId ++++Othr ++++SchmeNm	Name: Scheme Name ISO Description: Name of the identification scheme. Product Usage: Used for additional information when the message is for IXB use cases. For RTP payments that are part of an IXB transfer, see IXB documentation. XML Tag: <SchmeNm> Occurrence: [0..1]
INDEX: 2.774 CdtrPmtActvtnReq +PmtInf ++CdtTrfTx +++UltmtCdtr ++++Id ++++PrvtId ++++Othr ++++SchmeNm ++++Prtry	Name: Proprietary ISO Description: Name of the identification scheme, in a free text form. Product Usage: When 'Identification' is populated for IXB use cases, then the 'Proprietary' field should be populated to identify the Identification as either a BIC or an IBAN. For RTP payments that are part of an IXB transfer, see IXB documentation. XML Tag: <Prtry> Occurrence: [1..1] Length: 35
INDEX: 2.792 CdtrPmtActvtnReq +PmtInf ++CdtTrfTx +++InstrForCdtrAgt	Name: Instruction For Creditor Agent ISO Description: Further information related to the processing of the payment instruction, provided by the initiating party, and intended for the creditor agent. Product Usage: Either the code VLTK, PRTK, TOKN, RECI, TKCM to TKXP are used to differentiate the information provided in Element

Element	Details
	<p>Details the Instruction Information field.</p> <p>VLTK used for 'Validation Token' or in the case of IXB, it will be used to carry Foreign Exchange and Currency information.</p> <p>PRTK used for 'Sender Token Requested' and TOKN used for 'Token Information'.</p> <p>Codes 'TKCM' to 'TKXP' are used for different Token control information that may be passed to the Receiving Participant as additional information to impact its decision to accept or reject the transaction.</p> <p>RECI used for 'Sender Identification of a Zelle payment'.</p> <p>XML Tag: <InstrForCdtrAgt></p> <p>Occurrence: [0..5]</p> <p>Rule(s): For Zelle initiated Request for Payment the Instruction for Creditor Agent with code 'RECI' is mandatory.</p> <p>Reason Code(s): Reject with code '9954' in pacs.002 if Local Instrument = 'ZELLE' and Instruction for Creditor Agent does not contain Instruction Information with the code 'RECI'</p> <p>Note(s): The code VLTK can be used up to 3 times to allow all the validation data to be provided.</p>
<p>INDEX: 2.793</p> <p>CdtrPmtActvtnReq +PmtInf ++CdtTrfTx +++InstrForCdtrAgt ++++Cd</p>	<p>Name: Code</p> <p>ISO Description: Coded information related to the processing of the payment instruction, provided by the initiating party, and intended for the creditor's agent.</p> <p>Product Usage: Either the code VLTK, PRTK, TOKN, RECI, TKCM to TKXP are used to differentiate the information provided in Element Details the Instruction Information field.</p> <p>VLTK used for 'Validation Token' or in the case of IXB, it will be used to carry Foreign Exchange and Currency information.</p> <p>PRTK used for 'Sender Token Requested' and TOKN used for 'Token Information'.</p> <p>Codes 'TKCM' to 'TKXP' are used for different Token control information that may be passed to the Receiving Participant as additional information to impact its decision to accept or reject the transaction.</p> <p>RECI used for 'Sender Identification of a Zelle payment'.</p> <p>XML Tag: <Cd></p> <p>Occurrence: [1..1]</p> <p>Length: 4</p> <p>Rule(s): Only specified valid codes (according code list) are expected.</p> <p>Reason Code(s): The RTP Network will reject with code '650' in Administration Advice message (admi.002) if Instruction Code is not valid.</p> <p>Example: TOKN</p> <p>Permitted Codes</p> <p>PRTK SenderTokenRequested</p> <p>RECI ReceiverCustomerInformation</p>

Element	Details
	<p>Permitted Codes</p> <ul style="list-style-type: none"> TKCM Counterparty Mismatch TKSG Single Use Token Already Used TKSP Token Suspended Status TKVE Token Value Limit Breach TKXP Token Expired TOKN Token Information VLTK Token Validation Information or Foreign Exchange and Currency Information (IXB)
<p>INDEX: 2.794</p> <p>CdtrPmtActvtnReq +PmtInf ++CdtTrfTx +++InstrForCdtrAgt ++++InstrInf</p>	<p>Name: Instruction Information</p> <p>ISO Description: Further information complementing the coded instruction or instruction to the creditor's agent that is bilaterally agreed or specific to a user community.</p> <p>Product Usage: Information about the necessary data. For code 'TOKN' - The Receiving Participant will always receive a real account numbers in the account field, and receive the token used in the message in this field if a token was used. For code 'VLTK' - Supports the optional additional validation methods in conjunction with the token, e.g., B2B cypher, device ID, cryptograms, etc. In the case of IXB, it will be used to carry Foreign Exchange and Currency information. This information will be used up to 3 times. For code 'PRTK' - Include code 'PRTK' if a token is requested for the sender's Account. For code 'RECI' - provide Sender Identification for Zelle payment. For codes 'TKXP' to 'TKSP' the description of the code has to be provided (see details under Note).</p> <p>XML Tag: <InstrInf></p> <p>Occurrence: [1..1]</p> <p>Length: 140</p> <p>Note(s): The following fixed texts are used for codes: - TKXP - 'Token found but with expired status.' - TKCM - 'Token found with counterparty mismatch.' - TKVE - 'Token found with dollar limit rule violation.' - TKSG - 'Single Use Token already used.' - TKSP - 'Token found with invalid or negative status.'</p>
<p>INDEX: 2.861</p> <p>CdtrPmtActvtnReq +PmtInf ++CdtTrfTx +++RltdRmtInf</p>	<p>Name: Related Remittance Information</p> <p>ISO Description: Provides information related to the handling of the remittance information by any of the agents in the transaction processing chain.</p> <p>Product Usage: This element will be used if a remittance advice has been sent (remt.001) by the creditor or for identifying the external</p>

Element	Details
	<p>location of the remittance information if the remt.001 is not being used.</p> <p>XML Tag: <RltdRmtInf></p> <p>Occurrence: [0..1]</p>
<p>INDEX: 2.862</p> <p>CdtrPmtActvtnReq +PmtInf ++CdtTrfTx +++RltdRmtInf ++++RmtId</p>	<p>Name: Remittance Identification</p> <p>ISO Description: Unique identification, as assigned by the initiating party, to unambiguously identify the remittance information sent separately from the payment instruction, such as a remittance advice.</p> <p>Product Usage: Used to provide an identifier associated with the Message Sender of the pain.013 (Creditor). Information ID used to identify the separate remittance advice (remt.001) sent by the Creditor.</p> <p>XML Tag: <RmtId></p> <p>Occurrence: [0..1]</p> <p>Length: 35</p> <p>Rule(s): This element may be used if a separate Remittance Advice (remt.001) message is sent related to this Request for Payment. Reference in this element, if used, must be identical to the reference provided in the Remittance Advice message (field Remittance Identification). RTP will not validate the information provided in this field, but will pass on this data to the next party in the Payment chain.</p> <p>Note(s): The reference provided in the remittance advice message (Remittance Identification) will validate the linkage to this element, and must be the original reference provided in the separate remittance advice message (remt.001).</p> <p>Example: 20171112INFOABCD</p>
<p>INDEX: 2.863</p> <p>CdtrPmtActvtnReq +PmtInf ++CdtTrfTx +++RltdRmtInf ++++RmtLctnDtls</p>	<p>Name: Remittance Location Details</p> <p>ISO Description: Set of elements used to provide information on the location and/or delivery of the remittance information.</p> <p>XML Tag: <RmtLctnDtls></p> <p>Occurrence: [0..1]</p>
<p>INDEX: 2.864</p> <p>CdtrPmtActvtnReq +PmtInf ++CdtTrfTx +++RltdRmtInf ++++RmtLctnDtls ++++Mtd</p>	<p>Name: Method</p> <p>ISO Description: Method used to deliver the remittance advice information.</p> <p>XML Tag: <Mtd></p> <p>Occurrence: [1..1]</p> <p>Length: 4</p> <p>Example: URID</p>
	<p>Permitted Codes</p> <p>EMAL EMail</p>

Element	Details
<p>INDEX: 2.865</p> <p>CdtrPmtActvtnReq +PmtInf ++CdtTrfTx +++RltdRmtInf ++++RmtLctnDtls +++++ElctrncAdr</p>	<p>URID UniformResourceIdentifier</p> <p>Name: Electronic Address</p> <p>ISO Description: Electronic address to which an agent is to send the remittance information.</p> <p>Product Usage: Email address where Remittance Information was sent. For TCH Document Exchange usage, the code 'DX' will be used followed by the parameters required for processing. The associated Remittance Method should specify 'URID'. The formatting of the 'DX' parameters will be defined in the TCH Document Exchange Technical Specifications.</p> <p>XML Tag: <ElctrncAdr></p> <p>Occurrence: [1..1]</p> <p>Length: 2048</p> <p>Example: first.name@address.com</p>
<p>INDEX: 2.890</p> <p>CdtrPmtActvtnReq +PmtInf ++CdtTrfTx +++RmtInf</p>	<p>Name: Remittance Information</p> <p>ISO Description: Information supplied to enable the matching of an entry with the items that the transfer is intended to settle, such as commercial invoices in an accounts' receivable system.</p> <p>XML Tag: <RmtInf></p> <p>Occurrence: [0..1]</p>
<p>INDEX: 2.891</p> <p>CdtrPmtActvtnReq +PmtInf ++CdtTrfTx +++RmtInf ++++Ustrd</p>	<p>Name: Unstructured</p> <p>ISO Description: Information supplied to enable the matching/reconciliation of an entry with the items that the payment is intended to settle, such as commercial invoices in an accounts' receivable system, in an unstructured form.</p> <p>Product Usage: Unstructured 140 character field for additional remittance related information.</p> <p>XML Tag: <Ustrd></p> <p>Occurrence: [0..1]</p> <p>Length: 140</p> <p>Example: Unstructured Information</p>
<p>INDEX: 2.892</p> <p>CdtrPmtActvtnReq +PmtInf ++CdtTrfTx +++RmtInf ++++Strd</p>	<p>Name: Structured</p> <p>ISO Description: Information supplied to enable the matching/reconciliation of an entry with the items that the payment is intended to settle, such as commercial invoices in an accounts' receivable system, in a structured form.</p> <p>Product Usage: Structured Remittance Information for additional information on Amounts (e.g discount, full) and/or Creditor Reference Information.</p> <p>XML Tag: <Strd></p> <p>Occurrence: [0..1]</p>

Element	Details
INDEX: 2.893 CdtrPmtActvtnReq +PmtInf ++CdtTrfTx +++RmtInf ++++Strd +++++RfrdDocInf	Name: Referred Document Information ISO Description: Provides the identification and the content of the referred document. Product Usage: Used to indicate that there is additional information related to the Request for Payment (pain.013), and to carry account and invoice numbers of the receiver for RTP Bill Pay use cases. XML Tag: <RfrdDocInf> Occurrence: [0..5]
INDEX: 2.894 CdtrPmtActvtnReq +PmtInf ++CdtTrfTx +++RmtInf ++++Strd +++++RfrdDocInf +++++Tp	Name: Type ISO Description: Specifies the type of referred document. Product Usage: Used to provide additional information throughout the payment chain for Bill Pay use cases (e.g. biller account numbers or invoice numbers) XML Tag: <Tp> Occurrence: [0..1]
INDEX: 2.895 CdtrPmtActvtnReq +PmtInf ++CdtTrfTx +++RmtInf ++++Strd +++++RfrdDocInf +++++Tp ++++++CdOrPrtry	Name: Code Or Proprietary ISO Description: Provides the type details of the referred document. XML Tag: <CdOrPrtry> Occurrence: [1..1]
INDEX: 2.896 Choice: {Or CdtrPmtActvtnReq +PmtInf ++CdtTrfTx +++RmtInf ++++Strd +++++RfrdDocInf +++++Tp ++++++CdOrPrtry ++++++Cd	Name: Code ISO Description: Document type in a coded form. Product Usage: Used to carry the additional information related to the payment. - If this is populated with "CINV", an invoice number is expected to be included XML Tag: <Cd> Occurrence: [1..1] Length: 4 Example: CINV

Element	Details
INDEX: 2.897 Choice: Or CdtrPmtActvtnReq +PmtInf ++CdtTrfTx +++RmtInf ++++Strd +++++RfrdDocInf +++++Tp ++++++CdOrPrtry ++++++Prtry	Permitted Codes CINV CommercialInvoice Name: Proprietary ISO Description: Proprietary identification of the type of the remittance document. Product Usage: Used to carry the additional information related to the payment. - If this is populated with "CSCM", an account number is intended to be included XML Tag: <Prtry> Occurrence: [1..1] Length: 35 Example: CSCM
INDEX: 2.899 CdtrPmtActvtnReq +PmtInf ++CdtTrfTx +++RmtInf ++++Strd +++++RfrdDocInf +++++Nb	Permitted Codes CSCM Account Number Name: Number ISO Description: Unique and unambiguous identification of the referred document. Product Usage: Number' should be populated under the following conditions: If 'Proprietary' is populated with 'CSCM' then 'Number' should be populated with a biller account number. If 'Code' is populated with 'CINV' then 'Number' should be populated with an invoice number. XML Tag: <Nb> Occurrence: [1..1] Length: 35
INDEX: 2.900 CdtrPmtActvtnReq +PmtInf ++CdtTrfTx +++RmtInf ++++Strd +++++RfrdDocInf +++++RltdDt	Name: Related Date ISO Description: Date associated with the referred document. Product Usage: May be optionally used at the sender's discretion. XML Tag: <RltdDt> Occurrence: [0..1]
INDEX: 2.936 CdtrPmtActvtnReq +PmtInf	Name: Referred Document Amount ISO Description: Provides details on the amounts of the referred document.

Element	Details
++CdtTrfTx +++RmtInf ++++Strd +++++RfrdDocAmt	<p>Product Usage: The element Referred Document Amount is used for the ability to show specific amounts referred either from the Creditor or Debtor (including their FIs).</p> <p>XML Tag: <RfrdDocAmt></p> <p>Occurrence: [0..1]</p> <p>Note(s): At this point only discounted amounts are used under the element Discount Applied Amount.</p>
INDEX: 2.939 CdtrPmtActvtnReq +PmtInf ++CdtTrfTx +++RmtInf ++++Strd +++++RfrdDocAmt +++++DscntApldAmt	<p>Name: Discount Applied Amount</p> <p>ISO Description: Amount specified for the referred document is the amount of discount to be applied to the amount due and payable to the creditor.</p> <p>Product Usage: The element Referred Document Amount is used for the ability to show a discounted amount. Discounted Applied Amount field used to relay the discounted amount. Use of new proprietary codes will also allow multiple iterations.</p> <p>XML Tag: <DscntApldAmt></p> <p>Occurrence: [0..3]</p> <p>Rule(s): If type code 'DSCT' is present the code 'FULL' must be also present.</p> <p>Reason Code(s): Reject with code '9953' in Message Status Report (pacs.002) if code 'DSCT' is present without code 'FULL'.</p> <p>Note(s): See section "Referred Document Amount Usage in RTP Request for Payment Messages.</p>
INDEX: 2.940 CdtrPmtActvtnReq +PmtInf ++CdtTrfTx +++RmtInf ++++Strd +++++RfrdDocAmt +++++DscntApldAmt ++++++Tp	<p>Name: Type</p> <p>ISO Description: Specifies the type of the amount.</p> <p>Product Usage: The Type identifies which discount is applied. Under the element Proprietary new codes for the info of - discounted amount (DSCT) - full amount payable (FULL) are used until these codes are included in the ISO code list.</p> <p>XML Tag: <Tp></p> <p>Occurrence: [1..1]</p>
INDEX: 2.942 CdtrPmtActvtnReq +PmtInf ++CdtTrfTx +++RmtInf ++++Strd +++++RfrdDocAmt +++++DscntApldAmt ++++++Tp	<p>Name: Proprietary</p> <p>ISO Description: Specifies the amount type, in a free-text form.</p> <p>XML Tag: <Prtry></p> <p>Occurrence: [1..1]</p> <p>Length: 4</p> <p>Note(s): See chapter 'Details regarding Referred document Amount Usage' above for more details.</p> <p>Example: FULL</p>

Element	Details
+++++++Prtry	<p>Permitted Codes</p> <p>DSCD Discounted Amount – used to reflect the amount of a discount already offered in the requested amount</p> <p>FULL Full amount payable according to contract</p>
<p>INDEX: 2.943</p> <p>CdtrPmtActvtnReq +PmtInf ++CdtTrfTx +++RmtInf ++++Strd +++++RfrdDocAmt +++++DscntApldAmt +++++Amt</p>	<p>Name: Amount</p> <p>ISO Description: Amount of money, which has been typed.</p> <p>XML Tag: <Amt></p> <p>Occurrence: [1..1]</p> <p>Rule(s): The number of fractional digits (or minor unit of currency) must comply with ISO 4217. Note: The decimal separator is a dot.</p> <p>Example: 6284</p> <p>Frac Digits: 2</p> <p>Total Digits: 18</p>
<p>INDEX: 2.944</p>	<p>Name: Currency</p> <p>ISO Description: A code allocated to a currency by a Maintenance Agency under an international identification scheme, as described in the latest edition of the international standard ISO 4217 "Codes for the representation of currencies and funds".</p> <p>XML Tag: <Ccy></p> <p>RegEx: [A-Z]{3,3}</p> <p>Length: 3</p> <p>Rule(s): The Currency Code must be registered, or have already been registered. Valid active or historic currency codes are registered with the ISO 4217 Maintenance Agency, consist of three (3) contiguous letters, and may be or not be withdrawn on the day the message containing the Currency is exchanged.</p> <p>Example: USD</p> <p>Permitted Codes</p> <p>USD US Dollar</p>
<p>INDEX: 2.968</p> <p>CdtrPmtActvtnReq +PmtInf ++CdtTrfTx +++RmtInf ++++Strd +++++Invcr</p>	<p>Name: Invoicer</p> <p>ISO Description: Identification of the organisation issuing the invoice, when it is different from the creditor or ultimate creditor.</p> <p>Product Usage: The Invoicer is the creditor in the Request for payment (pain.013). The field is used to carry identifications or account numbers related to the invoicer of the Request for payment (pain.013).</p> <p>XML Tag: <Invcr></p> <p>Occurrence: [0..1]</p>

Element	Details
INDEX: 2.992 CdtrPmtActvtnReq +PmtInf ++CdtTrfTx +++RmtInf ++++Strd +++++Invcr ++++++Id	Name: Identification ISO Description: Unique and unambiguous identification of a party. Product Usage: This element is used on a conditional basis for Identification of any other specific identifier of the ultimate receiver. XML Tag: <Id> Occurrence: [1..1]
INDEX: 2.993 CdtrPmtActvtnReq +PmtInf ++CdtTrfTx +++RmtInf ++++Strd +++++Invcr ++++++Id ++++++OrgId	Name: Organisation Identification ISO Description: Unique and unambiguous way to identify an organisation. XML Tag: <OrgId> Occurrence: [1..1]
INDEX: 2.996 CdtrPmtActvtnReq +PmtInf ++CdtTrfTx +++RmtInf ++++Strd +++++Invcr ++++++Id ++++++OrgId ++++++Othr	Name: Other ISO Description: Unique identification of an organisation, as assigned by an institution, using an identification scheme. XML Tag: <Othr> Occurrence: [1..1]

INDEX: 2.997

CdtrPmtActvtnReq
 +PmtInf
 ++CdtTrfTx
 +++RmtInf
 ++++Strd
 +++++Invcr
 +++++Id
 ++++++OrgId
 ++++++Othr

Name: Identification

ISO Description: Identification assigned by an institution.

Product Usage: This field may be used to carry additional information about the sender of the RFP. Information may include Use Case, Industry Category and Sender ID.

XML Tag: <Id>

Occurrence: [1..1]

Length: 35

Rules:

As soon as reasonably practicable, but no later than June 30, 2024, Message Sending Participants must comply with the following:

For all RFP (pain.013) messages, this field must include the appropriate RFP use case code. For the Consumer Bill Pay, A2A and Down/Final Payment use cases the Industry Category and Sender ID must also be included.

Format:

Pos. 01-04: Use Case Code. This is required for all RFPs and identifies the “permissible use” for the RFP under the RTP Rules.

Permitted Codes: The permitted use case codes are as follows:

- 0001 - B2B
- 0002 - Consumer Bill Pay
- 0003 - A2A
- 0004 - Down/Final Payment
- 0005 - C2G (Consumer to Government)

Pos. 05: |

Pos. 06 -09: Industry Category Code. Please refer to appendix D for a full list. This is required for the Consumer Bill Pay, A2A and Down/Final Payment use cases.

Pos. 10: |

Pos. 11 -22: Sender ID, 12-digit alphanumeric characters provided during RFP Sender registration. Consumer Bill Pay, A2A and Down/Final Payment use cases.

Example(s):

B2B Use Case: 0001

Non B2B Use Case: 0002|1001|12345678910

Element	Details
+++++++Id	
INDEX: 2.1030 CdtrPmtActvtnReq +PmtInf ++CdtTrfTx +++RmtInf ++++Strd +++++Invcee	<p>Name: Invoicee</p> <p>ISO Description: Identification of the party to whom an invoice is issued, when it is different from the debtor or ultimate debtor.</p> <p>Product Usage: The Invoicee is the debtor of the Request for Payment (pain.013) , this field is used carry identifications or account numbers related to the invoicee of the Request for Payment(pain.013).</p> <p>XML Tag: <Invcee></p> <p>Occurrence: [0..1]</p>
INDEX: 2.1054 CdtrPmtActvtnReq +PmtInf ++CdtTrfTx +++RmtInf ++++Strd +++++Invcee +++++Id	<p>Name: Identification</p> <p>ISO Description: Unique and unambiguous identification of a party.</p> <p>Product Usage: This element is used on a conditional basis for Identification of any other specific identifier of the ultimate receiver.</p> <p>XML Tag: <Id></p> <p>Occurrence: [1..1]</p>
INDEX: 2.1055 CdtrPmtActvtnReq +PmtInf ++CdtTrfTx +++RmtInf ++++Strd +++++Invcee +++++Id +++++OrgId	<p>Name: Organisation Identification</p> <p>ISO Description: Unique and unambiguous way to identify an organisation.</p> <p>XML Tag: <OrgId></p> <p>Occurrence: [1..1]</p>
INDEX: 2.1058 CdtrPmtActvtnReq +PmtInf ++CdtTrfTx +++RmtInf ++++Strd +++++Invcee +++++Id +++++OrgId +++++Othr	<p>Name: Other</p> <p>ISO Description: Unique identification of an organisation, as assigned by an institution, using an identification scheme.</p> <p>XML Tag: <Othr></p> <p>Occurrence: [1..1]</p>
INDEX: 2.1059	Name: Identification

Element	Details
CdrPmtActvtnReq +PmtInf ++CdtTrfTx +++RmtInf ++++Strd +++++Invcee +++++Id ++++++OrgId +++++++Othr +++++++Id	ISO Description: Identification assigned by an institution. Product Usage: This field is used to carry additional payment information for Bill Pay use cases. XML Tag: <Id> Occurrence: [1..1] Length: 35

9.1.4 Referred Document Amount Usage in RTP Request for Payment Messages

The RTP® Request for Payment (pain.013) message allows for up to three amounts to be present in the message. The amount that is being requested, and which will be displayed as the requested amount to the recipient, should be placed in the Instructed Amount field. Additionally, two occurrences of Referred Document Amount / Discount Applied Amount fields and their respective codes can be used to communicate additional amount information to the message recipient. Usage of these fields and codes are defined in this section. The available amount types include the following:

- DSCT – Discount amount
- FULL – Full amount

In commercial use cases, Discount Amount and Full Amount must be used in conjunction. Discounted amount should be used to show that the Instructed Amount field includes a discount for the indicated amount. The recipient is entitled to this discount at least until the indicated Requested Execution Date or Requested Execution Date Time, whichever is present. If the discount expires with the Requested Execution Date, the sender should send an RFP Expiration message (camt.056) upon the expiration of the discount. Whenever Discount Amount is present, a second occurrence of Referred Document Amount with the Type 'FULL' must also be included.

Full amount should be used to carry the gross amount of the request. In commercial use cases, the Instructed Amount, plus the Discount Amount, will equal the Full Amount.

In consumer use cases, Discount amount should not be used. Full amount should be used to carry the full (or statement) value of the debt/invoice/transaction for which this RFP is being sent.

Commercial use case example:

Company A sends an RFP to Company B for \$11,500 for Invoices X, Y, and Z, which have a gross amount of \$11,600.

- Invoice X has a gross amount of \$5,000 and is eligible for a \$100 discount due to trading terms.
- Invoice Y has a gross amount of \$4,100 and is not eligible for any discount.
- Invoice Z has a gross amount of \$2,500 and is not eligible for any discount.

In the RFP, Company A includes the following amounts:

- Instructed Amount = \$11,500
- Referred Document Amount, Type FULL = \$11,600
- Referred Document Amount, Type DSCT = \$100

Optionally, Company A provides detailed information about each invoice in a Remittance Advice (remt.001) message.

Consumer use case example:

On March 1, Biller A sends an RFP to Consumer for a statement for the previous statement period that has a balance of \$1,500 and a minimum amount due of \$200. The Instructed Amount includes the value \$200 and the 'FULL' amount includes the value \$1,500.

9.2 Response to Request for Payment – pain.014.001.07

9.2.1 Scope

The Response to Request for Payment message is used to provide a business response to a Request for Payment (pain.013) message in two scenarios:

- The Debtor schedules a payment for a future date/time; or
- The Debtor FI renders the Request for Payment unpayable prior to the Expiry Date included in the original request.

If the Debtor has scheduled a payment for a future date/time, the Response to Request for Payment message is sent with the status ACTC, and includes details regarding the conditions of the payment (ie. date/time and amount of the scheduled payment, guaranteed payment indicator).

The Debtor FI may render the Request for Payment unpayable prior to the Expiry Date included in the original request for a number of reasons (e.g. account is closed while RFP is still unpaid, account holder indicates payment will not be made). In this case, the Response to Request for Payment message is sent with the status RJCT with a reason code indicating the reason for the rejection.

In either case, the Creditor FI must respond to the Response to Request for Payment Message with a Message Status Report indicating whether or not the pain.014 was successfully processed.

9.2.2 Message Structure Description

Index	XML Tag	Element Name	Occurr.	Length	M/O/C
	CdtrPmtActivtnReqStsRpt	Creditor Payment Activation Request Status Report V07	[1..1]		M
1.0	GrpHdr	Group Header	[1..1]		M
1.1	MsgId	Message Identification	[1..1]	35	M
1.2	CreDtTm	Creation Date Time	[1..1]	19	M
1.3	InitgPty	Initiating Party	[1..1]		M
1.27	Id	Identification	[1..1]		M
1.28	OrgId	Organisation Identification	[1..1]		M
1.31	Othr	Other	[1..1]		M
1.32	Id	Identification	[1..1]	9	M
2.0	OrgnlGrpInfAndSts	Original Group Information And Status	[1..1]		M
2.1	OrgnlMsgId	Original Message Identification	[1..1]	35	M
2.2	OrgnlMsgNmId	Original Message Name Identification	[1..1]	35	M
2.3	OrgnlCreDtTm	Original Creation Date Time	[1..1]	19	M
2.4	OrgnlNbOfTx	Original Number Of Transactions	[1..1]	1	M
3.0	OrgnlPmtInfAndSts	Original Payment Information And Status	[1..1]		M
3.1	OrgnlPmtInfId	Original Payment Information Identification	[1..1]	35	M
3.76	TxInfAndSts	Transaction Information And Status	[1..1]		M
3.79	OrgnlEndToEndId	Original End To End Identification	[0..1]	35	O
3.80	OrgnlUETR	Original UETR	[0..1]		O
3.81	TxSts	Transaction Status	[1..1]	4	M
3.82	StsRsnInf	Status Reason Information	[0..1]		C
3.145	Rsn	Reason	[1..1]		M
3.146	{Or Cd	Code	[1..1]	4	C
3.147	Or} Prtry	Proprietary	[1..1]	4	C
3.148	AddtlInf	Additional Information	[0..1]	105	O
3.149	PmtCondSts	Payment Condition Status	[0..1]		O
3.150	AccptdAmt	Accepted Amount	[1..1]	18	M
3.151	Ccy	Currency	[required]	3	M
3.152	GrntedPmt	Guaranteed Payment	[1..1]	5	M
3.153	EarlyPmt	Early Payment	[1..1]	5	M
3.225	OrgnlTxRef	Original Transaction Reference	[1..1]		M
3.226	Amt	Amount	[0..1]		C
3.227	InstdAmt	Instructed Amount	[1..1]	18	M
3.228	Ccy	Currency	[required]	3	M
3.233	ReqdExctnDt	Requested Execution Date	[1..1]		M
3.234	{Or Dt	Date	[1..1]	10	M
3.235	Or} DtTm	Date Time	[1..1]	19	M
3.949	CdtrAgt	Creditor Agent	[1..1]		M
3.950	FinInstnId	Financial Institution Identification	[1..1]		M
3.952	ClrSysMmbId	Clearing System Member Identification	[1..1]		M
3.956	MmbId	Member Identification	[1..1]	9	M
3.1013	Cdtr	Creditor	[1..1]		M
3.1014	Nm	Name	[1..1]	140	M
3.1037	Id	Identification	[0..1]		C
3.1038	{Or OrgId	Organisation Identification	[1..1]		C
3.1040	LEI	LEI	[1..1]	20	M

Index	XML Tag	Element Name	Occurr.	Length	M/O/C
3.1047	Or}	PrvtId	Private Identification	[1..1]	C
3.1048		DtAndPlcOfBirth	Date And Place Of Birth	[1..1]	M
3.1049		BirthDt	Birth Date	[1..1]	10 M
3.1051		CityOfBirth	City Of Birth	[1..1]	35 M
3.1052		CtryOfBirth	Country Of Birth	[1..1]	2 M

9.2.3 Detail Message Field Description

Element	Details
CdtrPmtActvtnReqStsRpt	<p>Name: Creditor Payment Activation Request Status Report V07</p> <p>ISO Description: The CreditorPaymentActivationRequestStatusReport message is sent by a party to the next party in the creditor payment activation request chain. It is used to inform the latter about the positive or negative status of a creditor payment activation request (either single or file).</p> <p>Product Usage: This message type is used to provide a business response to a Request for Payment (pain.013).</p> <p>XML Tag: <CdtrPmtActvtnReqStsRpt></p> <p>Occurrence: [1..1]</p>
<p>INDEX: 1.0</p> <p>CdtrPmtActvtnReqStsRpt +GrpHdr</p>	<p>Name: Group Header</p> <p>ISO Description: Set of characteristics shared by all individual transactions included in the message.</p> <p>XML Tag: <GrpHdr></p> <p>Occurrence: [1..1]</p>
<p>INDEX: 1.1</p> <p>CdtrPmtActvtnReqStsRpt +GrpHdr ++MsgId</p>	<p>Name: Message Identification</p> <p>ISO Description: Point to point reference assigned by the instructing party and sent to the next party in the chain to unambiguously identify the message.</p> <p>Usage: The instructing party has to make sure that 'MessageIdentification' is unique per instructed party for a pre-agreed period.</p> <p>Product Usage: Assigned by the Instructing Agent (Debtor FI). The Instructing Agent (Debtor FI) must ensure uniqueness of this message identification.</p> <p>XML Tag: <MsgId></p> <p>Occurrence: [1..1]</p> <p>Format: Format: MYYYYMMDDbbbbbbbbbbBAAAnnnnnnnnnnn Pos. 01-01 - Prefix 'M' Pos. 02-09 - File creation date in format YYYYYMMDD Pos. 10-20 - Participant ID (11 characters) Pos. 21-21 - Message generation source ("B" if generated by a Participant) Pos. 22-24 - Discretionary bank field (3 digit alpha numeric that can be used to serialize, identify specific systems, etc.) Pos. 25-35 - Message serial number (11 numeric characters)</p> <p>RegEx: M[0-9]{4}(((01 03 05 07 08 10 12)(([01-9]) ([1-2][0-9]) (3[0-1]))) ((04 06 09 11)(([01-9]) ([1-2][0-9]) 30)) ((02 ([01-9]) ([1-2][0-9])))))[A-Z0-9]{11}.*</p> <p>Length: 35</p> <p>Rule(s): The first 20 characters of the Message Identification (positions 01-20) are validated for structural alignment in accordance with the format specification.</p>

Element	Details
	<p>Reason Code(s): If structural validation fails, The RTP Network will reject with code '650' in Administration Advice message (admi.002).</p> <p>Example: M2017111212345678901BRFP00000000014</p>
<p>INDEX: 1.2 CdtrPmtActvtnReqStsRpt +GrpHdr ++CreDtTm</p>	<p>Name: Creation Date Time</p> <p>ISO Description: Date and time at which the status report was created by the instructing party.</p> <p>XML Tag: <CreDtTm></p> <p>Occurrence: [1..1]</p> <p>Format: YYYY-MM-DDThh:mm:ss</p> <p>Length: 19</p> <p>Rule(s): Creation Date Time must be within 1 calendar day of the system's date/time.</p> <p>Reason Code(s): Reject with code 'DT04' in pacs.002 for failing validation.</p> <p>Note(s): The date is required to be set to Eastern Time (ET).</p> <p>Example: 2017-11-12T10:05:00</p>
<p>INDEX: 1.3 CdtrPmtActvtnReqStsRpt +GrpHdr ++InitgPty</p>	<p>Name: Initiating Party</p> <p>ISO Description: Party initiating the creditor payment activation request. This can either be the creditor himself or the party that initiates the request on behalf of the creditor.</p> <p>Product Usage: This is the Instructing Agent (Debtor FI) that initiates the Response to Request for Payment.</p> <p>XML Tag: <InitgPty></p> <p>Occurrence: [1..1]</p> <p>Note(s): In the interbank space (Debtor FI to Creditor FI) only element Identification/OrganisationIdentification is allowed.</p>
<p>INDEX: 1.27 CdtrPmtActvtnReqStsRpt +GrpHdr ++InitgPty +++Id</p>	<p>Name: Identification</p> <p>ISO Description: Unique and unambiguous identification of a party.</p> <p>Product Usage: This element is used on a conditional basis for Identification of any other specific identifier of the ultimate receiver.</p> <p>XML Tag: <Id></p> <p>Occurrence: [1..1]</p>
<p>INDEX: 1.28 CdtrPmtActvtnReqStsRpt +GrpHdr ++InitgPty +++Id ++++OrgId</p>	<p>Name: Organisation Identification</p> <p>ISO Description: Unique and unambiguous way to identify an organisation.</p> <p>XML Tag: <OrgId></p> <p>Occurrence: [1..1]</p>
<p>INDEX: 1.31</p>	<p>Name: Other</p>

Element	Details
CdtrPmtActvtnReqStsRpt +GrpHdr ++InitgPty +++Id ++++OrgId +++++Othr	<p>ISO Description: Unique identification of an organisation, as assigned by an institution, using an identification scheme.</p> <p>XML Tag: <Othr></p> <p>Occurrence: [1..1]</p>
INDEX: 1.32 CdtrPmtActvtnReqStsRpt +GrpHdr ++InitgPty +++Id ++++OrgId +++++Othr +++++Id	<p>Name: Identification</p> <p>ISO Description: Identification assigned by an institution.</p> <p>Product Usage: Instructing Agent (Debtor FI) Identification.</p> <p>XML Tag: <Id></p> <p>Occurrence: [1..1]</p> <p>Format: 9 character Routing and Transit Number (alphabetic characters may be present)</p> <p>Length: 9</p> <p>Rule(s): Member Identification must be:</p> <ul style="list-style-type: none"> - Identical to the Member Identification of the Instructed Agent (Debtor FI) of the original Request for Payment (pain.013) message - A valid 9 character valid Routing and Transit Number <p>Reason Code(s): The RTP Network will reject with code '650' in Administration Advice message (admi.002) if Routing and Transit number is not supported in RTP database.</p> <p>Reject with Message Status Report (pacs.002) if:</p> <ul style="list-style-type: none"> - Sender is not authorized to send this specific message (reason code 'AG03') - agent is signed off (reason code '9934') - agent is suspended (reason code '9946') - the sender of the message is not authorized to submit message on behalf of this agent (reason code 'DSOH') <p>Example: 123456789</p>
INDEX: 2.0 CdtrPmtActvtnReqStsRpt +OrgnlGrpInfAndSts	<p>Name: Original Group Information And Status</p> <p>ISO Description: Original group information concerning the group of transactions, to which the status report message refers to.</p> <p>XML Tag: <OrgnlGrpInfAndSts></p> <p>Occurrence: [1..1]</p>
INDEX: 2.1 CdtrPmtActvtnReqStsRpt +OrgnlGrpInfAndSts ++OrgnlMsgId	<p>Name: Original Message Identification</p> <p>ISO Description: Point to point reference, as assigned by the original instructing party, to unambiguously identify the original message.</p> <p>Product Usage: The Original Message ID of the Request for Payment (pain.013).</p>

Element	Details
	<p>XML Tag: <OrgnlMsgId></p> <p>Occurrence: [1..1]</p> <p>Length: 35</p> <p>Example: M2017111202120020101BRFP0000000013</p>
<p>INDEX: 2.2</p> <p>CdtrPmtActvtnReqStsRpt +OrgnlGrpInfAndSts ++OrgnlMsgNmId</p>	<p>Name: Original Message Name Identification</p> <p>ISO Description: Specifies the original message name identifier to which the message refers.</p> <p>Product Usage: Specifies the original message, which is a pain.013 in all cases.</p> <p>XML Tag: <OrgnlMsgNmId></p> <p>Occurrence: [1..1]</p> <p>Length: 35</p> <p>Rule(s): Expected values is pain.013.001.07</p> <p>Reason Code(s): The RTP Network will reject with code '650' in Administration Advice message (admi.002) if Original Message Name Identification is not valid.</p> <p>Example: pain.013.001.07</p> <p>Permitted Codes</p> <p>pain.013.001.07 Creditor Payment Activation Request (Request for Payment) - V07</p>
<p>INDEX: 2.3</p> <p>CdtrPmtActvtnReqStsRpt +OrgnlGrpInfAndSts ++OrgnlCreDtTm</p>	<p>Name: Original Creation Date Time</p> <p>ISO Description: Date and time at which the original message was created.</p> <p>Product Usage: The Creation Date Time from the original pain.013 message.</p> <p>XML Tag: <OrgnlCreDtTm></p> <p>Occurrence: [1..1]</p> <p>Format: YYYY-MM-DDThh:mm:ss</p> <p>Length: 19</p> <p>Reason Code(s): The RTP Network will reject with code '650' in Administration Advice message (admi.002) if not valid.</p> <p>Note(s): The date is required to be set to Eastern Time (ET).</p> <p>Example: 2017-11-12T10:05:00</p>
<p>INDEX: 2.4</p> <p>CdtrPmtActvtnReqStsRpt +OrgnlGrpInfAndSts ++OrgnlNbOfTx</p>	<p>Name: Original Number Of Transactions</p> <p>ISO Description: Number of individual transactions contained in the original message.</p> <p>XML Tag: <OrgnlNbOfTx></p> <p>Occurrence: [1..1]</p>

Element	Details
	<p>RegEx: [1]{1,1}</p> <p>Length: 1</p> <p>Rule(s): Expected value is 1.</p> <p>Reason Code(s): The RTP Network will reject with code '650' in Administration Advice message (admi.002) if value is > '1'.</p> <p>Example: 1</p>
<p>INDEX: 3.0 CdtrPmtActvtnReqStsRpt +OrgnlPmtInfAndSts</p>	<p>Name: Original Payment Information And Status</p> <p>ISO Description: Information concerning the original payment information, to which the status report message refers.</p> <p>XML Tag: <OrgnlPmtInfAndSts></p> <p>Occurrence: [1..1]</p>
<p>INDEX: 3.1 CdtrPmtActvtnReqStsRpt +OrgnlPmtInfAndSts ++OrgnlPmtInfId</p>	<p>Name: Original Payment Information Identification</p> <p>ISO Description: Unique identification, as assigned by the original sending party, to unambiguously identify the original payment information group.</p> <p>Product Usage: The Payment Information Identification for which this message is the response (i.e. the Payment Information Identification for the pain.013).</p> <p>XML Tag: <OrgnlPmtInfId></p> <p>Occurrence: [1..1]</p> <p>Length: 35</p> <p>Example: 2017111202120020101BSRFP00000000013</p>
<p>INDEX: 3.76 CdtrPmtActvtnReqStsRpt +OrgnlPmtInfAndSts ++TxInfAndSts</p>	<p>Name: Transaction Information And Status</p> <p>ISO Description: Provides information on the original transactions to which the status report message refers.</p> <p>XML Tag: <TxInfAndSts></p> <p>Occurrence: [1..1]</p>
<p>INDEX: 3.79 CdtrPmtActvtnReqStsRpt +OrgnlPmtInfAndSts ++TxInfAndSts +++OrgnlEndToEndId</p>	<p>Name: Original End To End Identification</p> <p>ISO Description: Unique identification, as assigned by the original initiating party, to unambiguously identify the original transaction.</p> <p>Product Usage: The identifier that was assigned by the sender (creditor) of the Request for Payment. The original end-to-end identification must be passed on throughout the entire end-to-end Request for Payment chain. The original end-to-end identification can be used for reconciliation or to link tasks relating to the transaction from the sender (debtor) to the receiver (creditor).</p> <p>XML Tag: <OrgnlEndToEndId></p> <p>Occurrence: [0..1]</p> <p>Length: 35</p>

Element	Details
<p>INDEX: 3.80 CdrPmtActvtnReqStsRpt +OrgnlPmtInfAndSts ++TxInfAndSts +++OrgnlUETR</p>	<p>Note(s): If 'NOREF' is used in the Request for Payment (pain.013), this should be carried within the End to End ID field in the Response to Request for Payment (pain.014) message.</p> <p>Example: E2E-Ref001</p> <p>Name: Original UETR</p> <p>ISO Description: Universally unique identifier to provide the original end-to-end reference of a payment transaction.</p> <p>Product Usage: The UETR identifier is assigned by the instructing agent to link an RTP message to services or arrangements outside of the RTP network. If used, the same UETR should be passed on throughout the entire payment chain without being changed. The ability to include a UETR identifier in an RTP message does not mean that RTP messages can be used as part of a larger end-to-end transfer or as a cover payment. Readers should refer to the RTP Operating Rules to determine permissible uses of RTP messages.</p> <p>XML Tag: <OrgnlUETR></p> <p>Occurrence: [0..1]</p> <p>RegEx: [a-f0-9]{8}-[a-f0-9]{4}-4[a-f0-9]{3}-[89ab][a-f0-9]{3}-[a-f0-9]{12}</p> <p>Example: eb6305c9-1f7f-49de-aed0-16487c27b42d</p>
<p>INDEX: 3.81 CdrPmtActvtnReqStsRpt +OrgnlPmtInfAndSts ++TxInfAndSts +++TxSts</p>	<p>Name: Transaction Status</p> <p>ISO Description: Specifies the status of a transaction, in a coded form.</p> <p>Product Usage: Information about the status of the Request for Payment (pain.013), either: a) confirmation that payment has been scheduled for the date and amount provided in this message; or b) indication that the Request for Payment will not result in a payment from the Debtor.</p> <p>XML Tag: <TxSts></p> <p>Occurrence: [1..1]</p> <p>Length: 4</p> <p>Rule(s): Only 'RJCT' or 'ACTC' is expected</p> <p>Reason Code(s): The RTP Network will reject with code '650' in Administration Advice message (admi.002) if invalid code.</p> <p>Note(s): ACTC is used to indicate that a payment has been scheduled in response to the Request for Payment. RJCT is used to indicate that the Request for Payment will not result in a payment from the Debtor.</p> <p>Example: RJCT</p>
	<p>Permitted Codes</p> <p>ACTC AcceptedTechnicalValidation</p> <p>RJCT Rejected</p>
<p>INDEX: 3.82 CdrPmtActvtnReqStsRpt</p>	<p>Name: Status Reason Information</p> <p>ISO Description: Provides detailed information on the status reason.</p>

Element	Details
+OrgnlPmtInfAndSts ++TxInfAndSts +++StsRsnInf	<p>Product Usage: The Status Reason Information is only provided in case of code 'RJCT' in element Transaction Status.</p> <p>XML Tag: <StsRsnInf></p> <p>Occurrence: [0..1]</p> <p>Rule(s): If Reason/Code is equal to NARR, then AdditionalInformation must be present.</p>
INDEX: 3.145 CdtrPmtActvtnReqStsRpt +OrgnlPmtInfAndSts ++TxInfAndSts +++StsRsnInf ++++Rsn	<p>Name: Reason</p> <p>ISO Description: Specifies the reason for the status report.</p> <p>XML Tag: <Rsn></p> <p>Occurrence: [1..1]</p> <p>Note(s): Both the ISO reason codes and also proprietary codes are available. Only one proprietary code with the value '1100' (Any Other Reasons) is allowed. Additional information must be provided for the codes 'NARR' and '1100'.</p>
INDEX: 3.146 Choice: {Or CdtrPmtActvtnReqStsRpt +OrgnlPmtInfAndSts ++TxInfAndSts +++StsRsnInf ++++Rsn ++++Cd	<p>Name: Code</p> <p>ISO Description: Reason for the status, as published in an external reason code list.</p> <p>Product Usage: Reason code for the reject of the original instruction.</p> <p>XML Tag: <Cd></p> <p>Occurrence: [1..1]</p> <p>Length: 4</p> <p>Note(s): See the agreed Reason Codes for usage with pain.014 in the Appendix section.</p> <p>Example: AC06</p>
Permitted Codes	
<p>AC06 BlockedAccount</p> <p>AG01 TransactionForbidden</p> <p>AG03 TransactionNotSupported</p> <p>AM09 WrongAmount</p> <p>AM14 AmountExceedsAgreedLimit</p> <p>BE04 MissingCreditorAddress</p> <p>BE07 MissingDebtorAddress</p> <p>CH11 CreditorIdentifierIncorrect - Customer indicates creditor is unknown</p> <p>CUST RequestedByCustomer - customer indicates payment will not be made</p> <p>DS04 OrderRejected - The order was rejected by the bank side (for reasons concerning content)</p>	

Element	Details
<p>INDEX: 3.147</p> <p>Choice: Or}</p> <p>CdtrPmtActvtnReqStsRpt +OrgnlPmtInfAndSts ++TxInfAndSts +++StsRsnInf ++++Rsn +++++Prtry</p>	<p>Permitted Codes</p> <p>MD07 EndCustomerDeceased</p> <p>NARR Narrative</p> <p>SL12 Debtor has indicated it does not wish to receive RFPs from the Creditor</p> <hr/> <p>Name: Proprietary</p> <p>ISO Description: Reason for the status, in a proprietary form.</p> <p>Product Usage: Proprietary reason code for the reject of the original instruction (pain.013).</p> <p>XML Tag: <Prtry></p> <p>Occurrence: [1..1]</p> <p>Length: 4</p> <p>Note(s): See the agreed Reason Codes for usage with pain.014 in the Appendix section. RTP will not restrict the information provided in this field.</p> <p>Example: 1100</p> <p>Permitted Codes</p> <p>1100 Any Other Reasons - i.e. not covered by ISO reason codes.</p>
<p>INDEX: 3.148</p> <p>CdtrPmtActvtnReqStsRpt +OrgnlPmtInfAndSts ++TxInfAndSts +++StsRsnInf ++++AddtlInf</p>	<p>Name: Additional Information</p> <p>ISO Description: Further details on the status reason.</p> <p>Usage: Additional information can be used for several purposes such as the reporting of repaired information.</p> <p>Product Usage: Additional information for the following codes: - '1100' - Any Other Reasons - 'NARR' - Reason in narrative information</p> <p>XML Tag: <AddtlInf></p> <p>Occurrence: [0..1]</p> <p>Length: 105</p> <p>Rule(s): Only applicable for reason codes '1100' – Any Other Reasons and 'NARR' - narrative information</p> <p>Reason Code(s): The RTP Network will reject with code '650' in Administration Advice message (admi.002) if XML parsing error, otherwise not checked.</p> <p>Example: Additional Information for reject reason</p>
<p>INDEX: 3.149</p> <p>CdtrPmtActvtnReqStsRpt +OrgnlPmtInfAndSts ++TxInfAndSts</p>	<p>Name: Payment Condition Status</p> <p>ISO Description: Status related to the requested conditions for the execution of the payment.</p> <p>Product Usage: If the Transaction Status is set to ACTC, the Payment Condition Status is used to provide information about the</p>

Element	Details
+++PmtCondSts	<p>scheduled payment.</p> <p>XML Tag: <PmtCondSts></p> <p>Occurrence: [0..1]</p>
<p>INDEX: 3.150</p> <p>CdtrPmtActvtnReqStsRpt +OrgnlPmtInfAndSts ++TxInfAndSts +++PmtCondSts ++++AccptdAmt</p>	<p>Name: Accepted Amount</p> <p>ISO Description: Amount accepted to be paid.</p> <p>Usage: May only be present when AmountModificationAllowed is present in the request.</p> <p>Product Usage: Amount of the payment that has been scheduled.</p> <p>XML Tag: <AccptdAmt></p> <p>Occurrence: [1..1]</p> <p>Rule(s): The number of fractional digits (or minor unit of currency) must comply with ISO 4217. Note: The decimal separator is a dot.</p> <p>Note(s): The system does not validate or confirm that the amount indicated is different from the amount of the original Request for Payment. Further, the system does not validate that the amount indicated is what is sent in the relevant future Credit Transfer (pacs.008).</p> <p>Example: 6545.56</p> <p>Frac Digits: 2</p> <p>Total Digits: 18</p>
<p>INDEX: 3.151</p>	<p>Name: Currency</p> <p>ISO Description: A code allocated to a currency by a Maintenance Agency under an international identification scheme as described in the latest edition of the international standard ISO 4217 "Codes for the representation of currencies and funds".</p> <p>XML Tag: <Ccy></p> <p>RegEx: [A-Z]{3,3}</p> <p>Length: 3</p> <p>Rule(s): The currency code must be a valid active currency code, not yet withdrawn on the day the message containing the currency is exchanged. Valid active currency codes are registered with the ISO 4217 Maintenance Agency, consist of three (3) contiguous letters, and are not yet withdrawn on the day the message containing the Currency is exchanged.</p> <p>Example: USD</p> <p>Permitted Codes</p> <p>USD US Dollar</p>
<p>INDEX: 3.152</p>	<p>Name: Guaranteed Payment</p>

Element	Details
CdtrPmtActvtnReqStsRpt +OrgnlPmtInfAndSts ++TxInfAndSts +++PmtCondSts ++++GrntedPmt	<p>ISO Description: Indicates if the DebtorAgent guarantees the payment, assuming a payment guarantee contract exists between the different actors.</p> <p>Product Usage: Indicator of whether a payment guarantee request is granted or not. This indicator must be included if the original Request for Payment included a value of “true” in the “Payment Conditions / Guaranteed Payment Requested” field. True - The Debtor FI guarantees that an RTP Credit Transfer will be sent in the amount indicated on the date indicated in the Response to RFP message (i.e. Debtor FI will send the credit transfer even if the Debtor does not have sufficient funds to cover the payment). False - The Debtor FI does not guarantee that an RTP Credit Transfer will be sent in the amount indicated on the date indicated in the Response to RFP message (i.e. Debtor FI will only send the Credit Transfer if the Debtor has sufficient funds to cover the payment).</p> <p>XML Tag: <GrntedPmt></p> <p>Occurrence: [1..1]</p> <p>Format: Only value 'true' or 'false' is allowed.</p> <p>Length: 5</p> <p>Note(s): For Guaranteed Payment Request, the value ‘true’ should not be used in RTP. If a participant receives a value of ‘true’ in this field, the transaction should not be rejected, the participant should interpret the flag as ‘false’. RTP does not validate or guarantee that a transaction is actually sent on the indicated date if a guaranteed payment is indicated by the Debtor FI in the Response to Request for Payment (pain.014) message.</p>
INDEX: 3.153 CdtrPmtActvtnReqStsRpt +OrgnlPmtInfAndSts ++TxInfAndSts +++PmtCondSts ++++EarlyPmt	<p>Name: Early Payment</p> <p>ISO Description: Indicates if the debtor will pay before the requested execution date.</p> <p>Product Usage: Indicator if payment will be made prior to the Requested Execution Date. true - Payment will be made prior to the Requested Execution Date false - Payment will be made on or after the Requested Execution Date / Date and Time.</p> <p>XML Tag: <EarlyPmt></p> <p>Occurrence: [1..1]</p> <p>Format: Only value 'true' or 'false' is allowed.</p> <p>Length: 5</p> <p>Note(s): The value of ‘false’ should not be used in RTP. If Early Payment Allowed element is used, the value should always be set to ‘true’. The system does not validate that the payment is made on the Requested Execution Date if the Creditor FI indicates ‘false’. The date on which the payment is scheduled is carried in the Requested Execution Date below.</p>
INDEX: 3.225 CdtrPmtActvtnReqStsRpt +OrgnlPmtInfAndSts	<p>Name: Original Transaction Reference</p> <p>ISO Description: Key elements used to identify the original transaction that is being referred to.</p>

Element	Details
++TxInfAndSts +++OrgnlTxRef	<p>XML Tag: <OrgnlTxRef></p> <p>Occurrence: [1..1]</p>
INDEX: 3.226 CdtrPmtActvtnReqStsRpt +OrgnlPmtInfAndSts ++TxInfAndSts +++OrgnlTxRef ++++Amt	<p>Name: Amount</p> <p>ISO Description: Amount of money to be moved between the debtor and creditor, before deduction of charges, expressed in the currency as ordered by the initiating party.</p> <p>Product Usage: This element is to be used if the amount from the original Request for Payments is different to the amount scheduled to be paid.</p> <p>XML Tag: <Amt></p> <p>Occurrence: [0..1]</p>
INDEX: 3.227 CdtrPmtActvtnReqStsRpt +OrgnlPmtInfAndSts ++TxInfAndSts +++OrgnlTxRef ++++Amt +++++InstdAmt	<p>Name: Instructed Amount</p> <p>ISO Description: Amount of money to be moved between the debtor and creditor, before deduction of charges, expressed in the currency as ordered by the initiating party.</p> <p>Usage: This amount has to be transported unchanged through the transaction chain.</p> <p>Product Usage: Amount originally requested in the Instructed Amount field of the Request for Payment (pain.013).</p> <p>XML Tag: <InstdAmt></p> <p>Occurrence: [1..1]</p> <p>Rule(s): The number of fractional digits (or minor unit of currency) must comply with ISO 4217. Note: The decimal separator is a dot.</p> <p>Note(s): The system does not validate or confirm that the amount indicated is different from the amount of the original Request for Payment. Further, the system does not validate that the amount indicated is what is sent in the relevant future Credit Transfer (pacs.008).</p> <p>Example: 284534</p> <p>Frac Digits: 2</p> <p>Total Digits: 18</p>
INDEX: 3.228	<p>Name: Currency</p> <p>ISO Description: A code allocated to a currency by a Maintenance Agency under an international identification scheme, as described in the latest edition of the international standard ISO 4217 "Codes for the representation of currencies and funds".</p> <p>XML Tag: <Ccy></p> <p>RegEx: [A-Z]{3,3}</p> <p>Length: 3</p> <p>Rule(s): The Currency Code must be registered, or have already been registered. Valid active or historic currency codes are</p>

Element	Details
	<p>registered with the ISO 4217 Maintenance Agency, consist of three (3) contiguous letters, and may be or not be withdrawn on the day the message containing the Currency is exchanged.</p> <p>Example: USD</p>
<p>INDEX: 3.233</p> <p>CdtrPmtActvtnReqStsRpt +OrgnlPmtInfAndSts ++TxInfAndSts +++OrgnlTxRef ++++ReqdExctnDt</p>	<p>Permitted Codes</p> <p>USD US Dollar</p> <p>Name: Requested Execution Date</p> <p>ISO Description: Date at which the initiating party requests the clearing agent to process the payment. Usage: This is the date on which the debtor's account is to be debited. If payment by cheque, the date when the cheque must be generated by the bank.</p> <p>Product Usage: When transaction status is ACTC, this field is used to provide the Date on which or the Date and Time at which the payment has been scheduled. Either Date or Date and Time must be provided.</p> <p>XML Tag: <ReqdExctnDt></p> <p>Occurrence: [1..1]</p> <p>Note(s): The system is not checking if this date is linked to the final payment (pacs.008). If only Date is provided the time would be signified as 23:59:59.</p>
<p>INDEX: 3.234</p> <p>Choice: {Or</p> <p>CdtrPmtActvtnReqStsRpt +OrgnlPmtInfAndSts ++TxInfAndSts +++OrgnlTxRef ++++ReqdExctnDt ++++Dt</p>	<p>Name: Date</p> <p>ISO Description: Specified date.</p> <p>Product Usage: The Date on which the Credit Transfer (pacs.008) is scheduled to be sent. This may or may not match the Requested Execution Date of the original Request for Payment (pain.013) message. This date must not be past the Expiry Date of the original Request for Payment.</p> <p>XML Tag: <Dt></p> <p>Occurrence: [1..1]</p> <p>Format: YYYY-MM-DD</p> <p>Length: 10</p> <p>Rule(s): Must be a valid settlement date.</p> <p>Reason Code(s): The RTP Network will reject with code '650' in Administration Advice message (admi.002).</p> <p>Note(s): The date is required to be set to Eastern Time (ET). Even if the original Request for Payment (pain.013) message included only Requested Execution Date, the sender of the Response to Request for Payment (pain.014) may opt to include the scheduled payment date and time in the Requested Execution Date field (see below).</p> <p>Example: 2017-11-12</p>
<p>INDEX: 3.235</p> <p>Choice: Or}</p>	<p>Name: Date Time</p> <p>ISO Description: Specified date and time.</p>

Element	Details
CdtrPmtActvtnReqStsRpt +OrgnlPmtInfAndSts ++TxInfAndSts +++OrgnlTxRef ++++ReqdExctnDt +++++DtTm	<p>Product Usage: The Date and Time at which the Credit Transfer (pacs.008) is scheduled to be sent. This may or may not match the Requested Execution Date and Time of the original Request for Payment (pain.013) message. This date and time must not be past the Expiry Date of the original Request for Payment.</p> <p>XML Tag: <DtTm></p> <p>Occurrence: [1..1]</p> <p>Format: YYYY-MM-DDThh:mm:ss</p> <p>Length: 19</p> <p>Rule(s): Must be a valid settlement date and time.</p> <p>Reason Code(s): The RTP Network will reject with code '650' in Administration Advice message (admi.002).</p> <p>Note(s): The date is required to be set to Eastern Time (ET). Even if the original Request for Payment (pain.013) message included Requested Execution Date and Time, the sender of the Response to Request for Payment (pain.014) may opt to only include the scheduled payment date in the Requested Execution Date field (see above).</p> <p>Example: 2017-11-12T16:00:00</p>
INDEX: 3.949 CdtrPmtActvtnReqStsRpt +OrgnlPmtInfAndSts ++TxInfAndSts +++OrgnlTxRef ++++CdtrAgt	<p>Name: Creditor Agent</p> <p>ISO Description: Financial institution servicing an account for the creditor.</p> <p>Product Usage: This is the Creditor FI that holds the account for the Creditor. Notwithstanding the ISO term 'agent' this entity will always be a Member FI and party to a RTP payment.</p> <p>XML Tag: <CdtrAgt></p> <p>Occurrence: [1..1]</p>
INDEX: 3.950 CdtrPmtActvtnReqStsRpt +OrgnlPmtInfAndSts ++TxInfAndSts +++OrgnlTxRef ++++CdtrAgt +++++FinInstnId	<p>Name: Financial Institution Identification</p> <p>ISO Description: Unique and unambiguous identification of a financial institution, as assigned under an internationally recognised or proprietary identification scheme.</p> <p>XML Tag: <FinInstnId></p> <p>Occurrence: [1..1]</p>
INDEX: 3.952 CdtrPmtActvtnReqStsRpt +OrgnlPmtInfAndSts ++TxInfAndSts +++OrgnlTxRef ++++CdtrAgt +++++FinInstnId	<p>Name: Clearing System Member Identification</p> <p>ISO Description: Information used to identify a member within a clearing system.</p> <p>XML Tag: <ClrSysMmbld></p> <p>Occurrence: [1..1]</p>

Element	Details
+++++ClrSysMmbld	
INDEX: 3.956 CdtrPmtActvtnReqStsRpt +OrgnlPmtInfAndSts ++TxInfAndSts +++OrgnlTxRef ++++CdtrAgt +++++FinInstnId ++++++ClrSysMmbld ++++++Mmbld	Name: Member Identification ISO Description: Identification of a member of a clearing system. Product Usage: Creditor FI Identification which is receiving this message. XML Tag: <Mmbld> Occurrence: [1..1] Format: 9 character Routing and Transit Number Length: 9 Rule(s): Member Identification must be valid 9 character Routing and Transit Number. Reason Code(s): Reject with Message Status Report (pacs.002) if: <ul style="list-style-type: none"> - Routing and Transit number is not included in the RTP routing file/database (reason code 'RC04') - Receiver is not authorized to receive this business message (reason code 'AG01') - Agent is signed-off (reason code '9910') - Agent is suspended (reason code '9947') - Receiver connection is unavailable (reason code '9912') Example: 11400223
INDEX: 3.1013 CdtrPmtActvtnReqStsRpt +OrgnlPmtInfAndSts ++TxInfAndSts +++OrgnlTxRef ++++Cdtr	Name: Creditor ISO Description: Party to which an amount of money is due. Product Usage: The party (Receiver) that receives payment from the Debtor / Sender. XML Tag: <Cdtr> Occurrence: [1..1]
INDEX: 3.1014 CdtrPmtActvtnReqStsRpt +OrgnlPmtInfAndSts ++TxInfAndSts +++OrgnlTxRef ++++Cdtr +++++Nm	Name: Name ISO Description: Name by which a party is known and which is usually used to identify that party. Product Usage: Creditor Name XML Tag: <Nm> Occurrence: [1..1] Length: 140 Example: Creditor Name
INDEX: 3.1037 CdtrPmtActvtnReqStsRpt +OrgnlPmtInfAndSts	Name: Identification ISO Description: Unique and unambiguous identification of a party. Product Usage: Either element Private Identification / Date and Place of Birth (private) or Organisation Identification (business) are

Element	Details
++TxInfAndSts +++OrgnlTxRef ++++Cdtr +++++Id	available. XML Tag: <Id> Occurrence: [0..1]
INDEX: 3.1038 Choice: {Or CdtrPmtActvtnReqStsRpt +OrgnlPmtInfAndSts ++TxInfAndSts +++OrgnlTxRef ++++Cdtr +++++Id +++++OrgId	Name: Organisation Identification ISO Description: Unique and unambiguous way to identify an organisation. XML Tag: <OrgId> Occurrence: [1..1]
INDEX: 3.1040 CdtrPmtActvtnReqStsRpt +OrgnlPmtInfAndSts ++TxInfAndSts +++OrgnlTxRef ++++Cdtr +++++Id +++++OrgId +++++LEI	Name: LEI ISO Description: Legal entity identification as an alternate identification for a party. Product Usage: Optional legal entity identifier when the referenced party is not a consumer. XML Tag: <LEI> Occurrence: [1..1] RegEx: [A-Z0-9]{18,18}[0-9]{2,2} Length: 20 Example: 54930084UKLVMY22DS16
INDEX: 3.1047 Choice: Or} CdtrPmtActvtnReqStsRpt +OrgnlPmtInfAndSts ++TxInfAndSts +++OrgnlTxRef ++++Cdtr +++++Id +++++PrvtId	Name: Private Identification ISO Description: Unique and unambiguous identification of a person, for example a passport. XML Tag: <PrvtId> Occurrence: [1..1]
INDEX: 3.1048 CdtrPmtActvtnReqStsRpt +OrgnlPmtInfAndSts ++TxInfAndSts	Name: Date And Place Of Birth ISO Description: Date and place of birth of a person. XML Tag: <DtAndPlcOfBirth>

Element	Details
+++OrgnlTxRef ++++Cdtr +++++Id +++++PrvtId +++++DtAndPlcOfBirth	Occurrence: [1..1]
INDEX: 3.1049 CdtrPmtActvtnReqStsRpt +OrgnlPmtInfAndSts ++TxInfAndSts +++OrgnlTxRef ++++Cdtr +++++Id +++++PrvtId +++++DtAndPlcOfBirth +++++BirthDt	<p>Name: Birth Date</p> <p>ISO Description: Date on which a person is born.</p> <p>XML Tag: <BirthDt></p> <p>Occurrence: [1..1]</p> <p>Format: YYYY-MM-DD</p> <p>Length: 10</p> <p>Example: 1969-06-28</p>
INDEX: 3.1051 CdtrPmtActvtnReqStsRpt +OrgnlPmtInfAndSts ++TxInfAndSts +++OrgnlTxRef ++++Cdtr +++++Id +++++PrvtId +++++DtAndPlcOfBirth +++++CityOfBirth	<p>Name: City Of Birth</p> <p>ISO Description: City where a person was born.</p> <p>XML Tag: <CityOfBirth></p> <p>Occurrence: [1..1]</p> <p>Length: 35</p> <p>Note(s): This field is a mandatory ISO field if Date and Place of Birth is utilized, but the content of the field will not be validated by the system.</p> <p>Example: City ABC</p>
INDEX: 3.1052 CdtrPmtActvtnReqStsRpt +OrgnlPmtInfAndSts ++TxInfAndSts +++OrgnlTxRef ++++Cdtr +++++Id +++++PrvtId +++++DtAndPlcOfBirth +++++CtryOfBirth	<p>Name: Country Of Birth</p> <p>ISO Description: Country where a person was born.</p> <p>XML Tag: <CtryOfBirth></p> <p>Occurrence: [1..1]</p> <p>RegEx: [A-Z]{2,2}</p> <p>Length: 2</p> <p>Rule(s): The code is checked against the list of country names obtained from the United Nations (ISO 3166, Alpha-2 code).</p> <p>Example: US</p>

10 MESSAGE STRUCTURE SPECIFICATION REQUEST FOR RETURN OF FUNDS & SYSTEM TIME-OUT

10.1 Request for Return of Funds – camt.056.001.08

This chapter defines the standard product message formats used by the TCH RTP System for sending and receiving a System Time-out / Request for Return of Funds / Request for Payment Expiration message (camt.056), between RTP and Participants using the System.

This chapter covers the following:

- The message structure of the camt.056 and the camt.029 used in RTP
- The required data types and usage rules of the data fields in these messages

10.1.1 Scope

RTP employs the ISO 20022 Payment Cancellation Request (camt.056) message for three purposes within RTP:

- System Time-Out: notification to the Creditor FI that a Credit Transfer has timed-out
- Request for Return of Funds: initiated by the Debtor FI to (i) request the Creditor FI investigate and return funds for any reason, or (ii) to make a claim under the RFP warranty in the RTP Operating Rules (when used with the UPAY code).
- Request for Payment expiration: initiated by the Creditor FI to facilitate the cancellation of a Request for Payment such that the Debtor can no longer make an RTP payment referencing the expired RFP.

The System Time-Out message is initiated by the System and sent to the Creditor FI that failed to respond to the System prior to expiration of the time-out counter. Upon receipt of a System Time-out message, the Creditor FI must respond with a Message Status Report (pacs.002) confirming receipt of the System Time-out message. Note: for non-pacs.008 messages, When the RTP time-out counter expires for the receiving FI, the original transaction is removed from the blackboard and the transaction is considered complete. System will not send a cancelation message to the Receiver of the original message and will not send a pacs.002 indicating timeout to the Sender of the message. A Request for Return of Funds message is initiated by the original Debtor FI upon notification from the debtor of an erroneous or fraudulently induced payment. The system forwards the message to the original Creditor FI, who must respond with a Message Status Report (pacs.002) confirming receipt of the Request for Return of Funds message.

The business response to the Request for Return of Funds is a Resolution of Investigation (camt.029) message, also referred to as a Response to the Request for Return of Funds. The Resolution of Investigation (camt.029) message may either be a positive response, indicating that

funds will be returned, or negative (rejected), indicating that funds will not be returned. In either case, the response is not expected to be immediate, but after an investigation by the Creditor FI.

If the Creditor FI returns funds either via the Real-time Payment System or another Payment System. In case of RTP it will create a new Credit Transfer message (pacs.008) that includes a reference to the corresponding Request for Return of Funds in the pacs.008.

A Request for Payment Expiration (RFP Expiration) is initiated by the Creditor FI to notify the Debtor FI that the conditions for the original Request for Payment may have changed and that payment should not be made referencing the original Request for Payment. Upon receipt of an RFP Expiration message, the Debtor FI must respond with a Message Status Report (pacs.002) indicating whether or not the RFP Expiration can be applied. If the Message Status Report includes the status RCVD, the Debtor FI must no longer allow the Debtor to create an RTP Credit Transfer that references the original Request for Payment message indicated within the RFP Expiration.

Note: To identify which business purpose the camt.056 message is being used to support, three different product usages are provided:

- **Product Usage – Time-out** to describe functionality relating to a message time-out
- **Product Usage – Return** to describe functionality relating to Request for Return of Funds (pacs.008) message
- **Product Usage – RFP Expiry** to describe functionality relating to Cancellation of Request for Payment (pain.013) message

10.1.2 Message Structure Description

Index	XML Tag	Element Name	Occurr.	Length	M/O/C
	FIToFIPmtCxlReq	FITo FIPayment Cancellation Request V08	[1..1]		M
1.0	Assgnmt	Assignment	[1..1]		M
1.1	Id	Identification	[1..1]	35	M
1.2	Assgnr	Assigner	[1..1]		M
1.65	Agt	Agent	[1..1]		M
1.66	FinInstnId	Financial Institution Identification	[1..1]		M
1.68	ClrSysMmbld	Clearing System Member Identification	[1..1]		M
1.72	Mmbld	Member Identification	[1..1]	9	M
1.129	Assgne	Assignee	[1..1]		M
1.192	Agt	Agent	[1..1]		M
1.193	FinInstnId	Financial Institution Identification	[1..1]		M
1.195	ClrSysMmbld	Clearing System Member Identification	[1..1]		M
1.199	Mmbld	Member Identification	[1..1]	9	M
1.256	CreDtTm	Creation Date Time	[1..1]	19	M
2.0	Case	Case	[1..1]		M
2.1	Id	Identification	[1..1]	35	M
2.2	Cretr	Creator	[1..1]		M
2.65	Agt	Agent	[1..1]		M
2.66	FinInstnId	Financial Institution Identification	[1..1]		M
2.68	ClrSysMmbld	Clearing System Member Identification	[1..1]		M
2.72	Mmbld	Member Identification	[1..1]	9	M
4.0	Undrlyg	Underlying	[1..1]		M
4.1	OrgnlGrpInfAndCxl	Original Group Information And Cancellation	[1..1]		M
4.133	OrgnlMsgId	Original Message Identification	[1..1]	35	M
4.134	OrgnlMsgNmId	Original Message Name Identification	[1..1]	35	M
4.135	OrgnlCreDtTm	Original Creation Date Time	[0..1]	19	M
4.206	TxInf	Transaction Information	[1..1]		M
4.342	OrgnlInstrId	Original Instruction Identification	[1..1]	35	M
4.343	OrgnlEndToEndId	Original End To End Identification	[0..1]	35	O
4.344	OrgnlTxId	Original Transaction Identification	[1..1]	35	M
4.345	OrgnlUETR	Original UETR	[0..1]		O
4.346	OrgnlClrSysRef	Original Clearing System Reference	[1..1]	35	M
4.347	OrgnlIntrBkSttlmAmt	Original Interbank Settlement Amount	[1..1]	18	M
4.348	Ccy	Currency	[required]	3	M
4.349	OrgnlIntrBkSttlmDt	Original Interbank Settlement Date	[1..1]	10	M
4.478	CxlRsnInf	Cancellation Reason Information	[1..1]		M
4.479	Orgtr	Originator	[0..1]		C
4.480	Nm	Name	[0..1]	140	C
4.503	Id	Identification	[0..1]		C
4.504	OrgId	Organisation Identification	[1..1]		M
4.507	Othr	Other	[1..1]		M
4.508	Id	Identification	[1..1]	9	M
4.541	Rsn	Reason	[1..1]		M
4.542	{Or Cd	Code	[1..1]	4	C
4.543	Or} Prtry	Proprietary	[1..1]	4	C
4.544	AddtlInf	Additional Information	[0..1]	105	O
4.545	OrgnlTxRef	Original Transaction Reference	[0..1]		C

Index	XML Tag	Element Name	Occurr.	Length	M/O/C
4.1775	Dbtr	Debtor	[0..1]		C
4.1776	Pty	Party	[1..1]		M
4.1777	Nm	Name	[1..1]	140	M
4.1778	PstlAdr	Postal Address	[0..1]		C
4.1787	StrtNm	Street Name	[1..1]	70	M
4.1788	BldgNb	Building Number	[0..1]	16	O
4.1793	PstCd	Post Code	[1..1]	16	M
4.1794	TwnNm	Town Name	[1..1]	35	M
4.1797	CtrySubDvsn	Country Sub Division	[1..1]	35	M
4.1798	Ctry	Country	[1..1]	2	M
4.1799	AdrLine	Address Line	[0..1]	70	O
4.1800	Id	Identification	[0..1]		C
4.1801	{Or	OrgId	Organisation Identification	[1..1]	C
4.1803	LEI	LEI	[1..1]	20	M
4.1810	Or}	PrvtId	Private Identification	[1..1]	C
4.1811	DtAndPlcOfBirth	Date And Place Of Birth	[1..1]		M
4.1812	BirthDt	Birth Date	[1..1]	10	M
4.1814	CityOfBirth	City Of Birth	[1..1]	35	M
4.1815	CtryOfBirth	Country Of Birth	[1..1]	2	M
4.2087	Cdtr	Creditor	[0..1]		C
4.2088	Pty	Party	[1..1]		M
4.2089	Nm	Name	[1..1]	140	M
4.2090	PstlAdr	Postal Address	[0..1]		C
4.2099	StrtNm	Street Name	[1..1]	70	M
4.2100	BldgNb	Building Number	[0..1]	16	O
4.2105	PstCd	Post Code	[1..1]	16	M
4.2106	TwnNm	Town Name	[1..1]	35	M
4.2109	CtrySubDvsn	Country Sub Division	[1..1]	35	M
4.2110	Ctry	Country	[1..1]	2	M
4.2111	AdrLine	Address Line	[0..1]	70	O
4.2112	Id	Identification	[0..1]		C
4.2113	{Or	OrgId	Organisation Identification	[1..1]	C
4.2115	LEI	LEI	[1..1]	20	M
4.2122	Or}	PrvtId	Private Identification	[1..1]	C
4.2123	DtAndPlcOfBirth	Date And Place Of Birth	[1..1]		M
4.2124	BirthDt	Birth Date	[1..1]	10	M
4.2126	CityOfBirth	City Of Birth	[1..1]	35	M
4.2127	CtryOfBirth	Country Of Birth	[1..1]	2	M
4.2135	CtctDtls	Contact Details	[0..1]		O
4.2138	PhneNb	Phone Number	[0..1]	35	O

10.1.3 Detail Message Field Description

Element	Details
FIToFIPmtCxlReq	<p>Name: FITo FIPayment Cancellation Request V08</p> <p>Product Usage Time-out: Notification to a Creditor FI that a Credit Transfer has timed-out.</p> <p>Product Usage Return: Debtor FI requests a Return of Funds from the Creditor FI due to an error condition.</p> <p>Product Usage RFP Expiry: Creditor FI notifies Debtor FI of the expiration of a Request for Payment (pain.013) message.</p> <p>XML Tag: <FIToFIPmtCxlReq></p> <p>Occurrence: [1..1]</p>
<p>INDEX: 1.0</p> <p>FIToFIPmtCxlReq +Assgnmt</p>	<p>Name: Assignment</p> <p>ISO Description: Identifies the assignment of an investigation case from an assigner to an assignee. Usage: The assigner must be the sender of this confirmation and the assignee must be the receiver.</p> <p>XML Tag: <Assgnmt></p> <p>Occurrence: [1..1]</p>
<p>INDEX: 1.1</p> <p>FIToFIPmtCxlReq +Assgnmt ++Id</p>	<p>Name: Identification</p> <p>ISO Description: Uniquely identifies the case assignment.</p> <p>Product Usage Time-out: Assigned by RTP to uniquely identify the System Time-out message.</p> <p>Product Usage Return: Assigned by the Debtor FI to uniquely identify the Request for Return of Funds message.</p> <p>Product Usage RFP Expiry: Assigned by the Creditor FI to uniquely identify the RFP Expiry message.</p> <p>XML Tag: <Id></p> <p>Occurrence: [1..1]</p> <p>Format: Format: MYYYYMMDDbbbbbbbbbbBAAAnnnnnnnnnn</p> <p>Pos. 01-01 – Prefix ‘M’</p> <p>Pos. 02-09 - File creation date in format YYYYYMMDD</p> <p>Pos. 10-20 - Participant ID (11 characters)</p> <p>Pos. 21-21 - Message generation source (“B” if generated by a Participant, 'H' if generated by RTP)</p> <p>Pos. 22-24 - Discretionary bank field (3 digit alpha numeric that can be used to serialize, identify specific systems, etc.)</p> <p>Pos. 25-35 - Message serial number (11 numeric characters)</p> <p>RegEx: M[0-9]{4}(((01 03 05 07 08 10 12)((0[1-9]) ([1-2][0-9]) (3[0-1]))) ((04 06 09 11)((0[1-9]) ([1-2][0-9]) 30)) ((02)((0[1-9]) ([1-2][0-9])))))[A-Z0-9]{11}.*</p>

Element	Details
	<p>Length: 35</p> <p>Rule(s): The Assignment Identification structure position 01 to 20 is validated for structural alignment according to the format specification. The Creation Date provided in the Assignment Identification must be in the date range +/- one day. The Participant ID provided in the Assignment Identification must be owned by the sender of the message. The Assignment Identification must be unique for a calendar day and is used to perform the duplicate message check.</p> <p>Reason Code(s): In case of structural failure the RTP Network will reject with code '650' in Administration Advice message (admi.002). Reject with Message Status Report (pacs.002) if validation</p> <ul style="list-style-type: none"> - of Creation Date fails (reason code 'DT04') - of Participation ownership fails (reason code 'DSOH') - against duplication check occur (reason code 'DUPL') <p>Note(s): This format is partial validated by the system, it is an example format only</p> <p>Example: M2017111213100000001BROF00000000056</p>
<p>INDEX: 1.2 FIToFIPmtCxlReq +Assgnmt ++Assgnr</p>	<p>Name: Assigner</p> <p>ISO Description: Party who assigns the case. Usage: This is also the sender of the message.</p> <p>XML Tag: <Assgnr></p> <p>Occurrence: [1..1]</p>
<p>INDEX: 1.65 FIToFIPmtCxlReq +Assgnmt ++Assgnr +++Agt</p>	<p>Name: Agent</p> <p>ISO Description: Identification of a financial institution.</p> <p>XML Tag: <Agt></p> <p>Occurrence: [1..1]</p>
<p>INDEX: 1.66 FIToFIPmtCxlReq +Assgnmt ++Assgnr +++Agt ++++FinInstnId</p>	<p>Name: Financial Institution Identification</p> <p>ISO Description: Unique and unambiguous identification of a financial institution, as assigned under an internationally recognised or proprietary identification scheme.</p> <p>XML Tag: <FinInstnId></p> <p>Occurrence: [1..1]</p>
<p>INDEX: 1.68 FIToFIPmtCxlReq +Assgnmt ++Assgnr</p>	<p>Name: Clearing System Member Identification</p> <p>ISO Description: Information used to identify a member within a clearing system.</p> <p>XML Tag: <ClrSysMmbId></p>

Element	Details
+++Agt ++++FinInstnId +++++ClrSysMmbld	Occurrence: [1..1]
INDEX: 1.172 FIToFIPmtCxlReq +Assgnmt ++Assgnr +++Agt ++++FinInstnId +++++ClrSysMmbld +++++Mmbld	Name: Member Identification ISO Description: Identification of a member of a clearing system. Product Usage Time-out: The assigned 9 character Routing Number of RTP. Product Usage Return: Identification of the Debtor FI that initiated the Request for Return of Funds message. Product Usage RFP Expiry: Identification of the Creditor FI that initiated the Request for Payment Expiry message XML Tag: <Mmbld> Occurrence: [1..1] Format: 9 character Routing and Transit Number (alphabetic characters may be present) Length: 9 Rule(s): Member Identification must be valid 9 character Routing and Transit Number for an FI or 9 character Routing Number assigned to RTP. Reason Code(s): The RTP Network will reject with code '650' in Administration Advice message (admi.002) if Routing and Transit number is not supported in RTP database. Reject with Message Status Report (pacs.002) if: - Routing and Transit number is not authorized to send this business message (reason code 'AG03') - agent is signed off (reason code '9934') - agent is suspended (reason code '9946') - the sender of the message is not authorized to submit message on behalf of this agent (reason code 'DSOH') Note(s): The system validates that the participant indicated in the Assignment ID (positions 10-20) owns the Routing and Transit Number contained within this field. Example: 131000000
INDEX: 1.129 FIToFIPmtCxlReq +Assgnmt ++Assgne	Name: Assignee ISO Description: Party to which the case is assigned. Usage: This is also the receiver of the message. XML Tag: <Assgne> Occurrence: [1..1]

Element	Details
INDEX: 1.192 FIToFIPmtCxlReq +Assgnmt ++Assgne +++Agt	Name: Agent ISO Description: Identification of a financial institution. XML Tag: <Agt> Occurrence: [1..1]
INDEX: 1.193 FIToFIPmtCxlReq +Assgnmt ++Assgne +++Agt ++++FinInstnId	Name: Financial Institution Identification ISO Description: Unique and unambiguous identification of a financial institution, as assigned under an internationally recognised or proprietary identification scheme. XML Tag: <FinInstnId> Occurrence: [1..1]
INDEX: 1.195 FIToFIPmtCxlReq +Assgnmt ++Assgne +++Agt ++++FinInstnId +++++ClrSysMmbld	Name: Clearing System Member Identification ISO Description: Information used to identify a member within a clearing system. XML Tag: <ClrSysMmbld> Occurrence: [1..1]
INDEX: 1.199 FIToFIPmtCxlReq +Assgnmt ++Assgne +++Agt ++++FinInstnId +++++ClrSysMmbld +++++Mmbld	Name: Member Identification ISO Description: Identification of a member of a clearing system. Product Usage Time-out: The 9 character routing number of the sender of the timed-out message. Product Usage Return: The 9 character routing number of the Creditor FI. Product Usage RFP Expiry: The 9 character routing number of the Debtor FI. XML Tag: <Mmbld> Occurrence: [1..1] Format: 9 character Routing and Transit Number (alphabetic characters may be present) Length: 9 Rule(s): Member Identification validation must be 9 character valid Routing and Transit Number. Reason Code(s): Reject with Message Status Report (pacs.002) if : - Routing and Transit number is not supported in RTP (reason code 'RC04') - Routing and Transit number is not authorized to receive this specific message (reason code 'AG03')

Element	Details
	<ul style="list-style-type: none"> - agent is signed off (reason code '9910') - agent is suspended (reason code '9947') - receiver connection is not available (reason code '9912') <p>Example: 021200201</p>
<p>INDEX: 1.256</p> <p>FItoFIPmtCxlReq +Assgnmt ++CreDtTm</p>	<p>Name: Creation Date Time</p> <p>ISO Description: Date and time at which the assignment was created.</p> <p>Product Usage Time-out: The date and time the assignment was created.</p> <p>Product Usage Return: Same usage as above</p> <p>Product Usage RFP Expiry: Same usage as above</p> <p>XML Tag: <CreDtTm></p> <p>Occurrence: [1..1]</p> <p>Format: YYYY-MM-DDThh:mm:ss</p> <p>Length: 19</p> <p>Rule(s): Creation Date Time must be within 1 calendar day of the system's date/time.</p> <p>Reason Code(s): Reject with code 'DT04' in pacs.002 for failing validation.</p> <p>Note(s): The date is required to be set to Eastern Time (ET).</p> <p>Example: 2017-11-12T10:09:33</p>
<p>INDEX: 2.0</p> <p>FItoFIPmtCxlReq +Case</p>	<p>Name: Case</p> <p>ISO Description: Identifies the investigation case.</p> <p>XML Tag: <Case></p> <p>Occurrence: [1..1]</p>
<p>INDEX: 2.1</p> <p>FItoFIPmtCxlReq +Case ++Id</p>	<p>Name: Identification</p> <p>ISO Description: Uniquely identifies the case.</p> <p>Product Usage Time-out: Assigned by RTP to uniquely identify the System Time-out message.</p> <p>Product Usage Return: Must be equal to Assignment ID.</p> <p>Product Usage RFP Expiry: Must be equal to Assignment ID.</p>

Element	Details
	<p>XML Tag: <Id> Occurrence: [1..1] Length: 35 Note(s): Format specification see element Assignment/Id. Example: M2017111213100000001BROF00000000056</p>
<p>INDEX: 2.2 FIToFIPmtCxlReq +Case ++Cretr</p>	<p>Name: Creator ISO Description: Party that created the investigation case. Product Usage Time-out: Information of RTP who initiated the System Time-out message. Product Usage Return: The creator of the Request for Return of Funds message will only use the element Agent (Debtor FI). Product Usage RFP Expiry: The creator of the Request for Payment Expiry message will only use the element Agent to identify Creditor FI. XML Tag: <Cretr> Occurrence: [1..1] Rule(s): Only element Agent is allowed.</p>
<p>INDEX: 2.65 FIToFIPmtCxlReq +Case ++Cretr +++Agt</p>	<p>Name: Agent ISO Description: Identification of a financial institution. XML Tag: <Agt> Occurrence: [1..1]</p>
<p>INDEX: 2.66 FIToFIPmtCxlReq +Case ++Cretr +++Agt ++++FinInstnId</p>	<p>Name: Financial Institution Identification ISO Description: Unique and unambiguous identification of a financial institution, as assigned under an internationally recognised or proprietary identification scheme. XML Tag: <FinInstnId> Occurrence: [1..1]</p>
<p>INDEX: 2.68 FIToFIPmtCxlReq +Case ++Cretr +++Agt ++++FinInstnId</p>	<p>Name: Clearing System Member Identification ISO Description: Information used to identify a member within a clearing system. XML Tag: <ClrSysMmbId> Occurrence: [1..1]</p>

Element	Details
+++++ClrSysMmbld INDEX: 2.72 FIToFIPmtCxlReq +Case ++Cretr +++Agt ++++FinInstnld +++++ClrSysMmbld +++++Mmbld	<p>Name: Member Identification</p> <p>ISO Description: Identification of a member of a clearing system.</p> <p>Product Usage Time-out: The assigned 9 character Routing Number for RTP</p> <p>Product Usage Return: The Routing Number of the Debtor FI initiating the request.</p> <p>Product Usage RFP: The Routing Number of the Creditor FI initiating the request.</p> <p>Expiry:</p> <p>XML Tag: <Mmbld></p> <p>Occurrence: [1..1]</p> <p>Length: 9</p> <p>Rule(s): Member Identification must be valid 9 character Routing and Transit Number.</p> <p>Reason Code(s): Reject with Message Status Report (pacs.002) if:</p> <ul style="list-style-type: none"> - Routing and Transit number is not authorized to send this business message (reason code 'AG03') - agent is signed off (reason code '9934') - agent is suspended (reason code '9946') - the sender of the message is not authorized to submit message on behalf of this agent (reason code 'DSOH') <p>Example: 131000000</p>
INDEX: 4.0 FIToFIPmtCxlReq +Undrlyg	<p>Name: Underlying</p> <p>ISO Description: Identifies the payment instruction to be cancelled.</p> <p>Product Usage Time-out: Identifies the payment instruction that timed-out.</p> <p>Product Usage Return: Identifies the payment instruction from the original Credit Transfer (pacs.008).</p> <p>Product Usage RFP: Identifies the payment instruction from the original Request for Payment (pain.013).</p> <p>Expiry:</p> <p>XML Tag: <Undrlyg></p> <p>Occurrence: [1..1]</p>
INDEX: 4.1 FIToFIPmtCxlReq +Undrlyg ++OrgnlGrpInfAndCxl	<p>Name: Original Group Information And Cancellation</p> <p>ISO Description: Provides information on the original message, to which the cancellation refers.</p> <p>XML Tag: <OrgnlGrpInfAndCxl></p> <p>Occurrence: [1..1]</p>

Element	Details
INDEX: 4.133 FIToFIPmtCxlReq +Undrlyg ++OrgnlGrpInfAndCxl +++OrgnlMsgld	<p>Name: Original Message Identification</p> <p>ISO Description: Point to point reference, as assigned by the original instructing party, to unambiguously identify the original message.</p> <p>Product Usage Time-out: Message Identification from the original Credit Transfer (pacs.008), FI-to-FI Credit Transfer (pacs.009), or Request for Payment (pain.013) message.</p> <p>Product Usage: Message identification from the original Credit Transfer (pacs.008) message.</p> <p>Return:</p> <p>Product Usage RFP: Message identification from the original Request for Payment (pain.013) message.</p> <p>Expiry:</p> <p>XML Tag: <OrgnlMsgld></p> <p>Occurrence: [1..1]</p> <p>Format: Format: MYYYYMMDDbbbbbbbbbbBAAAnnnnnnnnnn</p> <p>Pos. 01-01 - Prefix 'M'</p> <p>Pos. 02-09 - File creation date in format YYYYMMDD</p> <p>Pos. 10-20 - Participant ID (11 characters)</p> <p>Pos. 21-21 - Message generation source ("B" if generated by a Participant)</p> <p>Pos. 22-24 - Discretionary bank field (3 digit alpha numeric that can be used to serialize, identify specific systems, etc.)</p> <p>Pos. 25-35 - Message serial number (11 numeric characters)</p> <p>Length: 35</p> <p>Example: M2017111202120020101BTRF0000000011</p>
INDEX: 4.134 FIToFIPmtCxlReq +Undrlyg ++OrgnlGrpInfAndCxl +++OrgnlMsgNmld	<p>Name: Original Message Name Identification</p> <p>ISO Description: Specifies the original message name identifier to which the message refers.</p> <p>Product Usage Time-out: Message Name Identification from the original Credit Transfer (pacs.008), FI-to-FI Credit Transfer (pacs.009), or Request for Payment (pain.013) message.</p> <p>Product Usage: Message Name Identification from the original Credit Transfer (pacs.008).</p> <p>Return:</p> <p>Product Usage RFP: Message Name Identification from the original Request for Payment (pain.013).</p> <p>Expiry:</p> <p>XML Tag: <OrgnlMsgNmld></p> <p>Occurrence: [1..1]</p> <p>Length: 35</p> <p>Rule(s): Must be pacs.008.001.08 for Credit Transfer or pain.013.001.07 for Request for Payment</p> <p>Reason Code(s): The RTP Network will reject with code '650' in Administration Advice message (admi.002) if not valid.</p>

Element	Details
	<p>Example: pacs.008.001.08</p> <p>Permitted Codes</p> <p>pacs.008.001.06 Credit Transfer</p> <p>pacs.008.001.08 Credit Transfer - V08</p> <p>pacs.009.001.08 FI to FI Credit Transfer - V08</p> <p>pain.013.001.07 Creditor Payment Activation Request (Request for Payment) - V07</p>
<p>INDEX: 4.135</p> <p>FItoFIPmtCxlReq +Undrlyg ++OrgnlGrpInfAndCxl +++OrgnlCreDtTm</p>	<p>Name: Original Creation Date Time</p> <p>ISO Description: Date and time at which the original message was created.</p> <p>Product Usage Time-out: Not being used in case of a system time-out.</p> <p>Product Usage Return: Creation Date Time from the original Credit Transfer (pacs.008) message.</p> <p>Product Usage RFP Expiry: Creation Date Time from the original Request for Payment (pain.013) message.</p> <p>XML Tag: <OrgnlCreDtTm></p> <p>Occurrence: [0..1]</p> <p>Format: YYYY-MM-DDThh:mm:ss</p> <p>Length: 19</p> <p>Reason Code(s): The RTP Network will reject with code '650' in Administration Advice message (admi.002) if not valid.</p> <p>Note(s): The date is required to be set to Eastern Time (ET).</p> <p>Example: 2017-11-12T10:05:00</p>
<p>INDEX: 4.206</p> <p>FItoFIPmtCxlReq +Undrlyg ++TxInf</p>	<p>Name: Transaction Information</p> <p>ISO Description: Provides information on the original transactions to which the cancellation request message refers.</p> <p>XML Tag: <TxInf></p> <p>Occurrence: [1..1]</p>
<p>INDEX: 4.342</p> <p>FItoFIPmtCxlReq +Undrlyg ++TxInf +++OrgnlInstrId</p>	<p>Name: Original Instruction Identification</p> <p>ISO Description: Unique identification, as assigned by the original instructing party for the original instructed party, to unambiguously identify the original instruction.</p> <p>Product Usage Time-out: The Instruction ID from the original Credit Transfer (pacs.008), FI-to-FI Credit Transfer (pacs.009) or Request for Payment (pain.013) message. In the case of a pain.013 message, this is the Payment Information Identification from the original pain.013.</p>

Element	Details
	<p>Product Usage The Instruction ID from the original Credit Transfer (pacs.008) message.</p> <p>Return:</p> <p>Product Usage RFP The Payment Information Identification from the original Request for Payment (pain.013) message.</p> <p>Expiry:</p> <p>XML Tag: <OrgnInstrId></p> <p>Occurrence: [1..1]</p> <p>Format: Expected Format: YYYYMMDDbbbbbbbbbbBAAAAnnnnnnnnnn</p> <p>Pos. 01-08 - File creation date in format YYYYMMDD Pos. 09-19 - Participant ID (11 characters) Pos. 20-20 - Message generation source ("B" if generated by a Participant) Pos. 21-24 - Discretionary bank field (4 digit alpha numeric that can be used to serialize, identify specific systems, etc.) Pos. 25-35 - Message serial number (11 numeric characters)</p> <p>Length: 35</p> <p>Note(s): This is the Identification from the pacs.008 / pain.013 assigned by the Debtor / Creditor FI to uniquely identify a single payment instruction within a pacs.008 / pain.013 throughout its existence within the system. This format is not validated by the system, it is an example format only</p> <p>Example: 2017111202120020101BSTRF00000000011</p>
<p>INDEX: 4.343</p> <p>FItoFIPmtCxlReq +Undrlyg ++TxInf +++OrgnlEndToEndId</p>	<p>Name: Original End To End Identification</p> <p>ISO Description: Unique identification, as assigned by the original initiating party, to unambiguously identify the original transaction.</p> <p>Product Usage Time-out: The End To End ID from the original Credit Transfer (pacs.008), FI-to-FI Credit Transfer (pacs.009), or Request for Payment (pain.013) message.</p> <p>Product Usage The End To End ID from the original Credit Transfer (pacs.008) instruction.</p> <p>Return:</p> <p>Product Usage RFP The End To End ID from the original Request for Payment (pain.013) instruction.</p> <p>Expiry:</p> <p>XML Tag: <OrgnlEndToEndId></p> <p>Occurrence: [0..1]</p> <p>Length: 35</p> <p>Note(s): This field should be only populated if there was and original End To End ID except if provided with 'NOREF'.</p> <p>Example: E2E-Ref001</p>
<p>INDEX: 4.344</p> <p>FItoFIPmtCxlReq +Undrlyg</p>	<p>Name: Original Transaction Identification</p> <p>ISO Description: Unique identification, as assigned by the original first instructing agent, to unambiguously identify the transaction.</p>

Element	Details
++TxInf +++OrgnTxId	<p>Product Usage Time-out: The unique identifier, assigned from the original Credit Transfer (pacs.008), FI-to-FI Credit Transfer (pacs.009), or Request for Payment (pain.013) message to unambiguously identify the transaction that is passed on unchanged throughout the entire interbank chain. This is the Transaction Identifier assigned by the original Debtor FI (pacs.008/pacs.009) or Original Payment Information Identification assigned by the original Creditor FI (pain.013) and is an mandatory field.</p> <p>Product Usage Return: The unique identifier, assigned by the first instructing agent (Debtor FI) to unambiguously identify the transaction that is passed on unchanged throughout the entire interbank chain. This is the transaction identifier assigned by the original Debtor FI (pacs.008) and is an mandatory field.</p> <p>Product Usage RFP Expiry: The unique identifier, assigned by the first instructing agent (Creditor FI) to unambiguously identify the transaction that is passed on unchanged throughout the entire interbank chain. It is based on the original Payment Information Identification from the pain.013.</p> <p>XML Tag: <OrgnTxId></p> <p>Occurrence: [1..1]</p> <p>Length: 35</p> <p>Note(s): If the Credit Transfer (pacs.008) message is based on a Request for Payment (pain.013) the original Payment Information Identification from the pain.013 must be populated in this field.</p> <p>Example: 2017111202120020101BSRFP00000000013</p>
INDEX: 4.345 FIToFIPmtCxlReq +Undrlyg ++TxInf +++OrgnUETR	<p>Name: Original UETR</p> <p>ISO Description: Universally unique identifier to provide the original end-to-end reference of a payment transaction.</p> <p>Product Usage: The UETR identifier is assigned by the instructing agent to link an RTP message to services or arrangements outside of the RTP network. If used, the same UETR should be passed on throughout the entire payment chain without being changed. The ability to include a UETR identifier in an RTP message does not mean that RTP messages can be used as part of a larger end-to-end transfer or as a cover payment. Readers should refer to the RTP Operating Rules to determine permissible uses of RTP messages.</p> <p>XML Tag: <OrgnUETR></p> <p>Occurrence: [0..1]</p> <p>RegEx: [a-f0-9]{8}-[a-f0-9]{4}-4[a-f0-9]{3}-[89ab][a-f0-9]{3}-[a-f0-9]{12}</p> <p>Example: eb6305c9-1f7f-49de-aed0-16487c27b42d</p>
INDEX: 4.346 FIToFIPmtCxlReq +Undrlyg ++TxInf +++OrgnClrSysRef	<p>Name: Original Clearing System Reference</p> <p>ISO Description: Unique reference, as assigned by the original clearing system, to unambiguously identify the original instruction.</p> <p>Product Usage Time-out: The Reconciliation Window from the original Credit Transfer (pacs.008), FI-to-FI Credit Transfer (pacs.009) instruction. In the case of a timed-out Request for Payment (pain.013) this value will be fixed to '001'.</p> <p>Product Usage Return: The Reconciliation Window from the original Credit Transfer (pacs.008) instruction.</p>

Element	Details
	<p>Product Usage RFP Since RFP message does not include Clearing System Reference, fix this value to '001'</p> <p>Expiry:</p> <p>XML Tag: <OrgnlClrSysRef></p> <p>Occurrence: [1..1]</p> <p>Length: 35</p> <p>Example: 1</p>
<p>INDEX: 4.347</p> <p>FItoFIPmtCxlReq +Undrlyg ++TxInf +++OrgnlIntrBkSttlmAmt</p>	<p>Name: Original Interbank Settlement Amount</p> <p>ISO Description: Amount of money moved between the instructing agent and the instructed agent, as provided in the original instruction.</p> <p>Product Usage Time-out: The Interbank Settlement Amount from the original Credit Transfer (pacs.008) or FI-to-FI Credit Transfer (pacs.009) instruction. In the case of a timed-out Request for Payment (pain.013) this will be the Instructed Amount</p> <p>Product Usage The Interbank Settlement Amount from the original Credit Transfer (pacs.008) message.</p> <p>Return:</p> <p>Product Usage RFP The Instructed Amount from the original Request for Payment (pain.013) message.</p> <p>Expiry:</p> <p>XML Tag: <OrgnlIntrBkSttlmAmt></p> <p>Occurrence: [1..1]</p> <p>Rule(s): The number of fractional digits (or minor unit of currency) must comply with ISO 4217. Note: The decimal separator is a dot.</p> <p>Example: 525.5</p> <p>Frac Digits: 2</p> <p>Total Digits: 18</p>
<p>INDEX: 4.348</p>	<p>Name: Currency</p> <p>ISO Description: A code allocated to a currency by a Maintenance Agency under an international identification scheme, as described in the latest edition of the international standard ISO 4217 "Codes for the representation of currencies and funds".</p> <p>XML Tag: <Ccy></p> <p>RegEx: [A-Z]{3,3}</p> <p>Length: 3</p> <p>Rule(s): The Currency Code must be registered, or have already been registered. Valid active or historic currency codes are registered with the ISO 4217 Maintenance Agency, consist of three (3) contiguous letters, and may be or not be withdrawn on the day the message containing the Currency is exchanged.</p> <p>Example: USD</p>

Element	Details
	<p>Permitted Codes</p> <p>USD US Dollar</p>
<p>INDEX: 4.349 FIToFIPmtCxlReq +Undrlyg ++TxInf +++OrgnlIntrBkSttlmDt</p>	<p>Name: Original Interbank Settlement Date</p> <p>ISO Description: Date, as provided in the original transaction, on which the amount of money ceases to be available to the agent that owes it and when the amount of money becomes available to the agent to which it is due.</p> <p>Product Usage Time-out: The Settlement date (pacs.008/pacs.009) or Requested Execution Date linked to this Time-out message. Takes the date element from the Reconciliation Window in which the payment was intended to settled (see note below).</p> <p>Product Usage Return: The Settlement date of the original Credit Transfer (pacs.008).</p> <p>Product Usage RFP Expiry: The Requested Execution Date from original Request for Payment (pain.013).</p> <p>XML Tag: <OrgnlIntrBkSttlmDt></p> <p>Occurrence: [1..1]</p> <p>Length: 10</p> <p>Note(s): This element is included in the System Time-Out message even though the original transaction did not settle.</p> <p>Example: 2017-11-12</p>
<p>INDEX: 4.478 FIToFIPmtCxlReq +Undrlyg ++TxInf +++CxlRsnInf</p>	<p>Name: Cancellation Reason Information</p> <p>ISO Description: Provides detailed information on the cancellation reason.</p> <p>XML Tag: <CxlRsnInf></p> <p>Occurrence: [1..1]</p>
<p>INDEX: 4.479 FIToFIPmtCxlReq +Undrlyg ++TxInf +++CxlRsnInf ++++Orgtr</p>	<p>Name: Originator</p> <p>ISO Description: Party that issues the cancellation request.</p> <p>Product Usage Return: Identification of the original initiator for the Request for Return of Funds (either Debtor or Debtor FI).</p> <p>Product Usage RFP Expiry: Identification of the original initiator for the RFP Expiry message (either Creditor or Creditor FI).</p> <p>XML Tag: <Orgtr></p> <p>Occurrence: [0..1]</p> <p>Note(s): Either Name or Participant Routing Number is present but not both.</p>
<p>INDEX: 4.480 FIToFIPmtCxlReq</p>	<p>Name: Name</p>

Element	Details
+Undrlyg ++TxInf +++CxlRsnInf ++++Orgtr +++++Nm	<p>ISO Description: Name by which a party is known and which is usually used to identify that party.</p> <p>Product Usage Official name of the Debtor as associated with the Request for Return of Funds message.</p> <p>Return:</p> <p>Product Usage RFP Official name of the Creditor as associated with the RFP Expiry message.</p> <p>Expiry:</p> <p>XML Tag: <Nm></p> <p>Occurrence: [0..1]</p> <p>Length: 140</p> <p>Example: Initiator Name</p>
INDEX: 4.503 FIToFIPmtCxlReq +Undrlyg ++TxInf +++CxlRsnInf ++++Orgtr +++++Id	<p>Name: Identification</p> <p>ISO Description: Unique and unambiguous identification of a party.</p> <p>Product Usage Time-out: This element is used on a conditional basis for Identification of any other specific identifier of the ultimate receiver.</p> <p>Product Usage Identification of the Debtor FI which initiated the Request for Return message.</p> <p>Return:</p> <p>Product Usage RFP Identification of the Creditor FI which initiated the Request for Payment Expiry message.</p> <p>Expiry:</p> <p>XML Tag: <Id></p> <p>Occurrence: [0..1]</p>
INDEX: 4.504 FIToFIPmtCxlReq +Undrlyg ++TxInf +++CxlRsnInf ++++Orgtr +++++Id +++++OrgId	<p>Name: Organisation Identification</p> <p>ISO Description: Unique and unambiguous way to identify an organisation.</p> <p>XML Tag: <OrgId></p> <p>Occurrence: [1..1]</p>
INDEX: 4.507 FIToFIPmtCxlReq +Undrlyg ++TxInf +++CxlRsnInf ++++Orgtr +++++Id	<p>Name: Other</p> <p>ISO Description: Unique identification of an organisation, as assigned by an institution, using an identification scheme.</p> <p>XML Tag: <Othr></p> <p>Occurrence: [1..1]</p>

Element	Details
++++++OrgId ++++++Othr INDEX: 4.508 FIToFIPmtCxlReq +Undrlyg ++TxInf +++CxlRsnInf ++++Orgtr +++++Id ++++++OrgId ++++++Othr ++++++Id	<p>Name: Identification</p> <p>ISO Description: Identification assigned by an institution.</p> <p>Product Usage Identification of the Debtor FI which initiated the Request for Return message.</p> <p>Return:</p> <p>Product Usage RFP Identification of the Creditor FI which initiated the Cancellation of Request for Payment message.</p> <p>Expiry:</p> <p>XML Tag: <Id></p> <p>Occurrence: [1..1]</p> <p>Format: 9 character Routing and Transit Number (alphabetic characters may be present)</p> <p>Length: 9</p> <p>Rule(s): Member Identification must be valid 9 character Routing and Transit Number.</p> <p>Reason Code(s): Reject with Message Status Report (pacs.002) if :</p> <ul style="list-style-type: none"> - Routing and Transit number is not supported in RTP (reason code 'RC04') - Routing and Transit number is not authorized to receive this specific message (reason code 'AG03') - agent is signed off (reason code '9910') - agent is suspended (reason code '9947') <p>Example: 131000000</p>
INDEX: 4.541 FIToFIPmtCxlReq +Undrlyg ++TxInf +++CxlRsnInf ++++Rsn	<p>Name: Reason</p> <p>ISO Description: Specifies the reason for the cancellation.</p> <p>Product Usage Time-out: As a result of a time-out, the code 'DS24' (Time-out) is used.</p> <p>Product Usage For the Request for Return of Funds message, the relevant return reason code must be used. One of 'Code' or</p> <p>Return: 'Proprietary' must be used.</p> <p>Product Usage RFP For the Request for Payment Expiry message, the relevant return reason code must be used. Only one of 'Code' must be used.</p> <p>Expiry:</p> <p>XML Tag: <Rsn></p> <p>Occurrence: [1..1]</p>
INDEX: 4.542 Choice: {Or FIToFIPmtCxlReq +Undrlyg	<p>Name: Code</p> <p>ISO Description: Reason for the cancellation request, in a coded form.</p> <p>Product Usage Time-out: The reason for the system time-out - code 'DS24' (Time-out)</p>

Element	Details
++TxInf +++CxlRsnInf ++++Rsn +++++Cd	<p>Product Usage Reason code for the Request for Return of Funds.</p> <p>Return:</p> <p>Product Usage RFP Reason code for the RFP Expiry message.</p> <p>Expiry:</p> <p>XML Tag: <Cd></p> <p>Occurrence: [1..1]</p> <p>Length: 4</p> <p>Note(s): Not all of the provided code might be relevant for the Request for Return of Funds. See the agreed Reason Codes for usage with camt.056 in the Appendix section. RTP will not restrict the existing available ISO codes. CUST could be a creditor wanting to pull back an RFP and sending a camt.056.</p> <p>Example: DUPL</p> <p>Permitted Codes</p> <p>AC03 InvalidCreditorAccountNumber - Requested by the customer due to mistake or error</p> <p>AM09 WrongAmount - Amount of the Credit Transfer or Request for Payment is not correct.</p> <p>CUST Requested by Customer - Cancellation requested by the Debtor due to Debtor's mistake or error.</p> <p>DS24 TimeOut - Reserved for use by RTP for System Time-Out messages</p> <p>DUPL DuplicatePayment - Debtor FI submitted a second unique Credit Transfer or Creditor FI submitted a second unique Request for Payment for a single customer request.</p> <p>FRAD FraudulentOrigin - Customer claims Credit Transfer or Request for Payment sent fraudulently.</p> <p>FRTR FinalResponse - Repeat attempt to prior non-response.</p> <p>TECH TechnicalProblem - Debtor FI experienced a technical issue that resulted in a misdirected payment</p> <p>UPAY UnduePayment - Payment has been made through another payment channel (for Request for Payment expiry) or the Participant is initiating an RFP warranty claim</p>
<p>INDEX: 4.543</p> <p>Choice: Or}</p> <p>FItoFIPmtCxlReq +Undrlyg ++TxInf +++CxlRsnInf ++++Rsn +++++Prtry</p>	<p>Name: Proprietary</p> <p>ISO Description: Reason for the cancellation request, in a proprietary form.</p> <p>Product Usage Proprietary reason code for the Request for Return of Funds used to provide indemnity to the receiving institution.</p> <p>Return:</p> <p>XML Tag: <Prtry></p> <p>Occurrence: [1..1]</p> <p>Length: 4</p> <p>Note(s): See the agreed Reason Codes for usage with camt.056 in the Appendix section. RTP will not restrict the information provided in this field.</p>

Element	Details
	<p>Permitted Codes</p> <ul style="list-style-type: none"> WIAM WrongAmount with Indemnity WICT RequestedByCustomer with indemnity WIDP DuplicatePayment with indemnity WIFD FraudulentOrigin with indemnity WIFT FinalResponse with indemnity WITH TechnicalProblem with indemnity
<p>INDEX: 4.544 FIToFIPmtCxlReq +Undrlyg ++TxInf +++CxlRsnInf ++++AddtlInf</p>	<p>Name: Additional Information</p> <p>ISO Description: Further details on the cancellation request reason.</p> <p>Product Usage This field is being used to provide additional information why the Request for Return of Funds was initiated.</p> <p>Return:</p> <p>Product Usage RFP This field is being used to provide additional information why the RFP Expiry message was initiated.</p> <p>Expiry:</p> <p>Product Usage RFP</p> <p>Warranty: In case of RFP warranty claim: The following codes maybe used to signify warranty component that was alleged to have been breached:</p> <ul style="list-style-type: none"> N: No Legitimate Purpose F: Part of Fraudulent Scheme to Induce Payment H: Harassing U: Otherwise Unlawful <p>See RFP Warranty Claims Procedures for more information</p> <p>XML Tag: <AddtlInf></p> <p>Occurrence: [0..1]</p> <p>Length: 105</p> <p>Example: More details why the Request was initiated.</p>

INDEX: 4.545 FIToFIPmtCxlReq +Undrlyg ++TxInf +++OrgnlTxRef	Name: Original Transaction Reference ISO Description: Key elements used to identify the original transaction that is being referred to. Product Usage Time-out: not used Product Usage Return: Provides Information about the Debtor and Creditor involved in the original the payment. Product Usage RFP Expiry: Provides Information about the Debtor and Creditor involved in the original the Request for Payment. XML Tag: <OrgnlTxRef> Occurrence: [0..1]
INDEX: 4.1775 FIToFIPmtCxlReq +Undrlyg ++TxInf +++OrgnlTxRef	Name: Debtor ISO Description: Party that owes an amount of money to the (ultimate) creditor. Product Usage Return: Debtor information from the original Credit Transfer. All elements that were provided in the original Credit Transfer should be included in the Request for Return of Funds. Product Usage RFP: Debtor information from the original Request for Payment. All elements that were provided in the original Request for

Element	Details
++++Dbtr	<p>Expiry: Payment should be included in the RFP Expiry.</p> <p>XML Tag: <Dbtr></p> <p>Occurrence: [0..1]</p>
INDEX: 4.1776 FIToFIPmtCxlReq +Undrlyg ++TxInf +++OrgnlTxRef ++++Dbtr +++++Pty	<p>Name: Party</p> <p>ISO Description: Identification of a person or an organisation.</p> <p>XML Tag: <Pty></p> <p>Occurrence: [1..1]</p>
INDEX: 4.1777 FIToFIPmtCxlReq +Undrlyg ++TxInf +++OrgnlTxRef ++++Dbtr +++++Pty +++++Nm	<p>Name: Name</p> <p>ISO Description: Name by which a party is known and which is usually used to identify that party.</p> <p>Product Usage The Debtor Name from the original Credit Transfer.</p> <p>Return:</p> <p>Product Usage RFP The Debtor Name from the original Request for Payment.</p> <p>Expiry:</p> <p>XML Tag: <Nm></p> <p>Occurrence: [1..1]</p> <p>Length: 140</p> <p>Example: Debtor Name</p>
INDEX: 4.1778 FIToFIPmtCxlReq +Undrlyg ++TxInf +++OrgnlTxRef ++++Dbtr +++++Pty +++++PstlAdr	<p>Name: Postal Address</p> <p>ISO Description: Information that locates and identifies a specific address, as defined by postal services.</p> <p>XML Tag: <PstlAdr></p> <p>Occurrence: [0..1]</p> <p>Rule(s): Only structured Address possible plus one Address Line available. If Postal Address is included, Street Name, Post Code, Town Name, Country Subdivision, and Country are required.</p>
INDEX: 4.1787 FIToFIPmtCxlReq +Undrlyg ++TxInf +++OrgnlTxRef ++++Dbtr	<p>Name: Street Name</p> <p>ISO Description: Name of a street or thoroughfare.</p> <p>XML Tag: <StrtNm></p> <p>Occurrence: [1..1]</p> <p>Length: 70</p>

Element	Details
+++++Pty +++++PstlAdr +++++StrtNm	Example: Park Lane
INDEX: 4.1788 FIToFIPmtCxlReq +Undrlyg ++TxInf +++OrgnlTxRef +++Dbtr +++++Pty +++++PstlAdr +++++BldgNb	Name: Building Number ISO Description: Number that identifies the position of a building on a street. XML Tag: <BldgNb> Occurrence: [0..1] Length: 16 Note(s): This is an optional field, even when Postal Address is present. Building number, when it is used, should be displayed to the end user directly ahead of Street Name. This field is not to be used as a second address line. Example: 45, Apt. 203
INDEX: 4.1793 FIToFIPmtCxlReq +Undrlyg ++TxInf +++OrgnlTxRef +++Dbtr +++++Pty +++++PstlAdr +++++PstCd	Name: Post Code ISO Description: Identifier consisting of a group of letters and/or numbers that is added to a postal address to assist the sorting of mail. XML Tag: <PstCd> Occurrence: [1..1] Length: 16 Example: NY 10016
INDEX: 4.1794 FIToFIPmtCxlReq +Undrlyg ++TxInf +++OrgnlTxRef +++Dbtr +++++Pty +++++PstlAdr +++++TwnNm	Name: Town Name ISO Description: Name of a built-up area, with defined boundaries, and a local government. XML Tag: <TwnNm> Occurrence: [1..1] Length: 35 Example: New York City
INDEX: 4.1797 FIToFIPmtCxlReq +Undrlyg ++TxInf +++OrgnlTxRef +++Dbtr	Name: Country Sub Division ISO Description: Identifies a subdivision of a country such as state, region, county. Product Usage Return: Identifies the state (could include full name or two character state abbreviation). Product Usage RFP: Identifies the state (could include full name or two character state abbreviation).

Element	Details
+++++Pty ++++++PstlAdr ++++++CtrySubDvsn	Expiry: XML Tag: <CtrySubDvsn> Occurrence: [1..1] Length: 35 Example: New York
INDEX: 4.1798 FIToFIPmtCxlReq +Undrlyg ++TxInf +++OrgnlTxRef ++++Dbtr +++++Pty ++++++PstlAdr ++++++Ctry	Name: Country ISO Description: Nation with its own government. XML Tag: <Ctry> Occurrence: [1..1] RegEx: [A-Z]{2,2} Length: 2 Rule(s): The code is checked against the list of country names obtained from the United Nations (ISO 3166, Alpha-2 code). Example: US
INDEX: 4.1799 FIToFIPmtCxlReq +Undrlyg ++TxInf +++OrgnlTxRef ++++Dbtr +++++Pty ++++++PstlAdr ++++++AdrLine	Name: Address Line ISO Description: Information that locates and identifies a specific address, as defined by postal services, presented in free format text. XML Tag: <AdrLine> Occurrence: [0..1] Length: 70 Note(s): Only one occurrence of this field is permitted and it is to be used as an 'Address Line 2'. When displaying an address to an end user, this field should appear directly after or below Street Name and directly before or above Town Name. Example: c/o The Clearing House
INDEX: 4.1800 FIToFIPmtCxlReq +Undrlyg ++TxInf +++OrgnlTxRef ++++Dbtr +++++Pty ++++++Id	Name: Identification ISO Description: Unique and unambiguous identification of a party. Product Usage Time-out: This element is used on a conditional basis for Identification of any other specific identifier of the ultimate receiver. Product Usage Return: Either element Private Identification / Date and Place of Birth (private) or Organisation Identification (business) are available. Product Usage RFP Expiry: Either element Private Identification / Date and Place of Birth (private) or Organisation Identification (business) are available. XML Tag: <Id> Occurrence: [0..1]

Element	Details
INDEX: 4.1801 Choice: {Or FIToFIPmtCxlReq +Undrlyg ++TxInf +++OrgnlTxRef ++++Dbtr +++++Pty ++++++Id +++++++OrgId	Name: Organisation Identification ISO Description: Unique and unambiguous way to identify an organisation. XML Tag: <OrgId> Occurrence: [1..1]
INDEX: 4.1803 FIToFIPmtCxlReq +Undrlyg ++TxInf +++OrgnlTxRef ++++Dbtr +++++Pty ++++++Id +++++++OrgId +++++++LEI	Name: LEI ISO Description: Legal entity identification as an alternate identification for a party. Product Usage Optional legal entity identifier when the referenced party is not a consumer. Return: Product Usage RFP Optional legal entity identifier when the referenced party is not a consumer. Expiry: XML Tag: <LEI> Occurrence: [1..1] RegEx: [A-Z0-9]{18,18}[0-9]{2,2} Length: 20 Example: 54930084UKLVMY22DS16
INDEX: 4.1810 Choice: Or} FIToFIPmtCxlReq +Undrlyg ++TxInf +++OrgnlTxRef ++++Dbtr +++++Pty ++++++Id +++++++PrvtId	Name: Private Identification ISO Description: Unique and unambiguous identification of a person, for example a passport. XML Tag: <PrvtId> Occurrence: [1..1]
INDEX: 4.1811 FIToFIPmtCxlReq +Undrlyg	Name: Date And Place Of Birth ISO Description: Date and place of birth of a person. XML Tag: <DtAndPlcOfBirth>

Element	Details
++TxInf +++OrgnlTxRef ++++Dbtr +++++Pty ++++++Id ++++++PrvtId ++++++DtAndPlcOfBirth	Occurrence: [1..1]
INDEX: 4.1812 FIToFIPmtCxlReq +Undrlyg ++TxInf +++OrgnlTxRef ++++Dbtr +++++Pty ++++++Id ++++++PrvtId ++++++DtAndPlcOfBirth ++++++BirthDt	Name: Birth Date ISO Description: Date on which a person is born. XML Tag: <BirthDt> Occurrence: [1..1] Format: YYYY-MM-DD Length: 10 Example: 1969-06-28
INDEX: 4.1814 FIToFIPmtCxlReq +Undrlyg ++TxInf +++OrgnlTxRef ++++Dbtr +++++Pty ++++++Id ++++++PrvtId ++++++DtAndPlcOfBirth ++++++CityOfBirth	Name: City Of Birth ISO Description: City where a person was born. XML Tag: <CityOfBirth> Occurrence: [1..1] Length: 35 Note(s): This field is a mandatory ISO field if Date and Place of Birth is utilized, but the content of the field will not be validated by the system. Example: Birth City
INDEX: 4.1815 FIToFIPmtCxlReq +Undrlyg ++TxInf +++OrgnlTxRef ++++Dbtr +++++Pty ++++++Id	Name: Country Of Birth ISO Description: Country where a person was born. XML Tag: <CtryOfBirth> Occurrence: [1..1] RegEx: [A-Z]{2,2} Length: 2

Element	Details
+++++++PrvtId +++++++DtAndPlcOfBirth +++++++CtryOfBirth	<p>Rule(s): The code is checked against the list of country names obtained from the United Nations (ISO 3166, Alpha-2 code).</p> <p>Example: US</p>
<p>INDEX: 4.2087</p> <p>FItoFIPmtCxlReq +Undrlyg ++TxInf +++OrgnlTxRef ++++Cdtr</p>	<p>Name: Creditor</p> <p>ISO Description: Party to which an amount of money is due.</p> <p>Product Usage: Creditor information from the original Credit Transfer. All elements that were provided in the original Credit Transfer</p> <p>Return: should be included in the Request for Return of Funds.</p> <p>Product Usage RFP: Creditor information from the original Request for Payment. All elements that were provided in the original Request for</p> <p>Expiry: Payment should be included in the RFP Expiration.</p> <p>XML Tag: <Cdtr></p> <p>Occurrence: [0..1]</p>
<p>INDEX: 4.2088</p> <p>FItoFIPmtCxlReq +Undrlyg ++TxInf +++OrgnlTxRef ++++Cdtr ++++Pty</p>	<p>Name: Party</p> <p>ISO Description: Identification of a person or an organisation.</p> <p>XML Tag: <Pty></p> <p>Occurrence: [1..1]</p>
<p>INDEX: 4.2089</p> <p>FItoFIPmtCxlReq +Undrlyg ++TxInf +++OrgnlTxRef ++++Cdtr ++++Pty ++++Nm</p>	<p>Name: Name</p> <p>ISO Description: Name by which a party is known and which is usually used to identify that party.</p> <p>Product Usage: Creditor Name from the original Credit Transfer.</p> <p>Return:</p> <p>Product Usage RFP: Creditor Name from the original Request for Payment.</p> <p>Expiry:</p> <p>XML Tag: <Nm></p> <p>Occurrence: [1..1]</p> <p>Length: 140</p> <p>Example: Creditor Name</p>
<p>INDEX: 4.2090</p> <p>FItoFIPmtCxlReq +Undrlyg ++TxInf +++OrgnlTxRef ++++Cdtr</p>	<p>Name: Postal Address</p> <p>ISO Description: Information that locates and identifies a specific address, as defined by postal services.</p> <p>XML Tag: <PstlAdr></p> <p>Occurrence: [0..1]</p> <p>Rule(s): Only structured Address possible plus one Address Line available. If Postal Address is included, Street Name, Post Code,</p>

Element	Details
+++++Pty +++++PstlAdr	Town Name, Country Subdivision, and Country are required.
INDEX: 4.2099 FIToFIPmtCxlReq +Undrlyg ++TxInf +++OrgnlTxRef ++++Cdtr +++++Pty +++++PstlAdr +++++StrtNm	<p>Name: Street Name</p> <p>ISO Description: Name of a street or thoroughfare.</p> <p>XML Tag: <StrtNm></p> <p>Occurrence: [1..1]</p> <p>Length: 70</p> <p>Example: Park Lane</p>
INDEX: 4.2100 FIToFIPmtCxlReq +Undrlyg ++TxInf +++OrgnlTxRef ++++Cdtr +++++Pty +++++PstlAdr +++++BldgNb	<p>Name: Building Number</p> <p>ISO Description: Number that identifies the position of a building on a street.</p> <p>XML Tag: <BldgNb></p> <p>Occurrence: [0..1]</p> <p>Length: 16</p> <p>Note(s): This is an optional field, even when Postal Address is present. Building number, when it is used, should be displayed to the end user directly ahead of Street Name. This field is not to be used as a second address line.</p> <p>Example: 45, Apt. 203</p>
INDEX: 4.2105 FIToFIPmtCxlReq +Undrlyg ++TxInf +++OrgnlTxRef ++++Cdtr +++++Pty +++++PstlAdr +++++PstCd	<p>Name: Post Code</p> <p>ISO Description: Identifier consisting of a group of letters and/or numbers that is added to a postal address to assist the sorting of mail.</p> <p>XML Tag: <PstCd></p> <p>Occurrence: [1..1]</p> <p>Length: 16</p> <p>Example: NY 10016</p>
INDEX: 4.2106 FIToFIPmtCxlReq +Undrlyg ++TxInf +++OrgnlTxRef ++++Cdtr +++++Pty	<p>Name: Town Name</p> <p>ISO Description: Name of a built-up area, with defined boundaries, and a local government.</p> <p>XML Tag: <TwnNm></p> <p>Occurrence: [1..1]</p> <p>Length: 35</p>

Element	Details
++++++PstlAdr ++++++TwnNm	Example: New York City
INDEX: 4.2109 FIToFIPmtCxlReq +Undrlyg ++TxInf +++OrgnlTxRef ++++Cdtr +++++Pty ++++++PstlAdr ++++++CtrySubDvsn	Name: Country Sub Division ISO Description: Identifies a subdivision of a country such as state, region, county. Product Usage: Identifies the state (could include full name or two character state abbreviation). Return: Product Usage RFP: Identifies the state (could include full name or two character state abbreviation). Expiry: XML Tag: <CtrySubDvsn> Occurrence: [1..1] Length: 35 Example: New York
INDEX: 4.2110 FIToFIPmtCxlReq +Undrlyg ++TxInf +++OrgnlTxRef ++++Cdtr +++++Pty ++++++PstlAdr ++++++Ctry	Name: Country ISO Description: Nation with its own government. XML Tag: <Ctry> Occurrence: [1..1] RegEx: [A-Z]{2,2} Length: 2 Rule(s): The code is checked against the list of country names obtained from the United Nations (ISO 3166, Alpha-2 code). Example: US
INDEX: 4.2111 FIToFIPmtCxlReq +Undrlyg ++TxInf +++OrgnlTxRef ++++Cdtr +++++Pty ++++++PstlAdr ++++++AdrLine	Name: Address Line ISO Description: Information that locates and identifies a specific address, as defined by postal services, presented in free format text. XML Tag: <AdrLine> Occurrence: [0..1] Length: 70 Note(s): Only one occurrence of this field is permitted and it is to be used as an "Address Line 2". When displaying an address to an end user, this field should appear directly after or below Street Name and directly before or above Town Name. Example: c/o The Clearing House
INDEX: 4.2112 FIToFIPmtCxlReq +Undrlyg ++TxInf	Name: Identification ISO Description: Unique and unambiguous identification of a party. Product Usage Time- This element is used on a conditional basis for Identification of any other specific identifier of the ultimate receiver.

Element	Details
+++OrgnlTxRef +++Cdtr +++Pty +++Id	<p>out:</p> <p>Product Usage Either element Private Identification / Date and Place of Birth (private) or Organisation Identification (business) are available.</p> <p>Return: available.</p> <p>Product Usage RFP Either element Private Identification / Date and Place of Birth (private) or Organisation Identification (business) are available.</p> <p>Expiry: available.</p> <p>XML Tag: <Id></p> <p>Occurrence: [0..1]</p>
INDEX: 4.2113 Choice: {Or FIToFIPmtCxlReq +Undrlyg ++TxInf +++OrgnlTxRef +++Cdtr +++Pty +++Id +++OrgId	<p>Name: Organisation Identification</p> <p>ISO Description: Unique and unambiguous way to identify an organisation.</p> <p>XML Tag: <OrgId></p> <p>Occurrence: [1..1]</p>
INDEX: 4.2115 FIToFIPmtCxlReq +Undrlyg ++TxInf +++OrgnlTxRef +++Cdtr +++Pty +++Id +++OrgId +++LEI	<p>Name: LEI</p> <p>ISO Description: Legal entity identification as an alternate identification for a party.</p> <p>Product Usage Optional legal entity identifier when the referenced party is not a consumer.</p> <p>Return:</p> <p>Product Usage RFP Optional legal entity identifier when the referenced party is not a consumer.</p> <p>Expiry:</p> <p>XML Tag: <LEI></p> <p>Occurrence: [1..1]</p> <p>RegEx: [A-Z0-9]{18,18}[0-9]{2,2}</p> <p>Length: 20</p> <p>Example: 54930084UKLVMY22DS16</p>
INDEX: 4.2122 Choice: Or} FIToFIPmtCxlReq +Undrlyg ++TxInf +++OrgnlTxRef	<p>Name: Private Identification</p> <p>ISO Description: Unique and unambiguous identification of a person, for example a passport.</p> <p>XML Tag: <PrvtId></p> <p>Occurrence: [1..1]</p>

Element	Details
+++Cdtr +++++Pty +++++Id +++++PrvtId INDEX: 4.2123 FIToFIPmtCxlReq +Undrlyg ++TxInf +++OrgnlTxRef +++Cdtr +++++Pty +++++Id +++++PrvtId +++++DtAndPlcOfBirth	<p>Name: Date And Place Of Birth</p> <p>ISO Description: Date and place of birth of a person.</p> <p>XML Tag: <DtAndPlcOfBirth></p> <p>Occurrence: [1..1]</p>
INDEX: 4.2124 FIToFIPmtCxlReq +Undrlyg ++TxInf +++OrgnlTxRef +++Cdtr +++++Pty +++++Id +++++PrvtId +++++DtAndPlcOfBirth +++++BirthDt	<p>Name: Birth Date</p> <p>ISO Description: Date on which a person is born.</p> <p>XML Tag: <BirthDt></p> <p>Occurrence: [1..1]</p> <p>Format: YYYY-MM-DD</p> <p>Length: 10</p> <p>Example: 1969-06-28</p>
INDEX: 4.2126 FIToFIPmtCxlReq +Undrlyg ++TxInf +++OrgnlTxRef +++Cdtr +++++Pty +++++Id +++++PrvtId +++++DtAndPlcOfBirth +++++CityOfBirth	<p>Name: City Of Birth</p> <p>ISO Description: City where a person was born.</p> <p>XML Tag: <CityOfBirth></p> <p>Occurrence: [1..1]</p> <p>Length: 35</p> <p>Note(s): This field is a mandatory ISO field if Date and Place of Birth is utilized, but the content of the field will not be validated by the system.</p> <p>Example: Birth City</p>

Element	Details
INDEX: 4.2127 FIToFIPmtCxlReq +Undrlyg ++TxInf +++OrgnlTxRef ++++Cdtr +++++Pty ++++++Id ++++++PrvtId ++++++DtAndPlcOfBirth ++++++CtryOfBirth	Name: Country Of Birth ISO Description: Country where a person was born. XML Tag: <CtryOfBirth> Occurrence: [1..1] RegEx: [A-Z]{2,2} Length: 2 Rule(s): The code is checked against the list of country names obtained from the United Nations (ISO 3166, Alpha-2 code). Example: US
INDEX: 4.2135 FIToFIPmtCxlReq +Undrlyg ++TxInf +++OrgnlTxRef ++++Cdtr +++++Pty ++++++CtctDtIs	Name: Contact Details ISO Description: Set of elements used to indicate how to contact the party. XML Tag: <CtctDtIs> Occurrence: [0..1]
INDEX: 4.2138 FIToFIPmtCxlReq +Undrlyg ++TxInf +++OrgnlTxRef ++++Cdtr +++++Pty ++++++CtctDtIs ++++++PhneNb	Name: Phone Number ISO Description: Collection of information that identifies a phone number, as defined by telecom services. Product Usage RFP This element is only used to provide contact information for the creditor. Expiry: XML Tag: <PhneNb> Occurrence: [0..1] Format: Format expression: \+[0-9]{1,3}-[0-9()+\-\-]{1,30} First position fixed value '+' followed up to 3 numeric positions followed by the fixed value '-'. After these values up to 30 numeric characters including the values '()+\-\-' and - RegEx: \+[0-9]{1,3}-[0-9()+\-\-]{1,30} Length: 35 Example: +1-555-123-4567 +1-5551234567

10.2 Response to Request for Return of Funds – camt.029.001.09

10.2.1 Scope

This message type is being used as the business response to a Request for Return of Funds (camt.056) message. The Response to Request for Return of Funds message indicates the outcome of the Creditor FI's investigation following a Request for Return of Funds message.

10.2.2 Message Structure Description

Index	XML Tag	Element Name	Occurr.	Length	M/O/C
	RsltOfInvstgtn	Resolution Of Investigation V09	[1..1]		M
1.0	Assgnmt	Assignment	[1..1]		M
1.1	Id	Identification	[1..1]	35	M
1.2	Assgnr	Assigner	[1..1]		M
1.65	Agt	Agent	[1..1]		M
1.66	FinInstnId	Financial Institution Identification	[1..1]		M
1.68	ClrSysMmbld	Clearing System Member Identification	[1..1]		M
1.72	Mmbld	Member Identification	[1..1]	9	M
1.129	Assgne	Assignee	[1..1]		M
1.192	Agt	Agent	[1..1]		M
1.193	FinInstnId	Financial Institution Identification	[1..1]		M
1.195	ClrSysMmbld	Clearing System Member Identification	[1..1]		M
1.199	Mmbld	Member Identification	[1..1]	9	M
1.256	CreDtTm	Creation Date Time	[1..1]	19	M
3.0	Sts	Status	[1..1]		M
3.1	Conf	Confirmation	[1..1]	4	M
4.0	CxlDtls	Cancellation Details	[1..1]		M
4.1	OrgnlGrpInfAndSts	Original Group Information And Status	[1..1]		M
4.3	RslvdCase	Resolved Case	[1..1]		M
4.4	Id	Identification	[1..1]	35	M
4.5	Cretr	Creator	[1..1]		M
4.68	Agt	Agent	[1..1]		M
4.69	FinInstnId	Financial Institution Identification	[1..1]		M
4.71	ClrSysMmbld	Clearing System Member Identification	[1..1]		M
4.75	Mmbld	Member Identification	[1..1]	9	M
4.133	OrgnlMsgId	Original Message Identification	[1..1]	35	M
4.134	OrgnlMsgNmId	Original Message Name Identification	[1..1]	35	M
4.135	OrgnlCreDtTm	Original Creation Date Time	[1..1]	19	M
4.139	CxlStsRsnInf	Cancellation Status Reason Information	[0..1]		C
4.202	Rsn	Reason	[1..1]		M
4.203	Cd	Code	[1..1]	4	M
4.2448	TxInfAndSts	Transaction Information And Status	[0..1]		C
4.2449	CxlStsId	Cancellation Status Identification	[0..1]	35	C
4.2588	OrgnlUETR	Original UETR	[0..1]	36	O
4.2657	RsltRltdInf	Resolution Related Information	[0..1]		O
4.2661	IntrBkSttlmAmt	Interbank Settlement Amount	[1..1]	18	O
4.2662	Ccy	Currency	[required]	3	M
4.2663	IntrBkSttlmDt	Interbank Settlement Date	[0..1]	10	O
4.2664	ClrChanl	Clearing Channel	[0..1]	4	O
4.2799	Chrgs	Charges	[0..1]		O
4.2800	Amt	Amount	[1..1]	18	M
4.2801	Ccy	Currency	[required]	3	M
4.2802	Agt	Agent	[1..1]		M
4.2803	FinInstnId	Financial Institution Identification	[1..1]		M
4.2805	ClrSysMmbld	Clearing System Member Identification	[1..1]		M
4.2809	Mmbld	Member Identification	[1..1]	9	M

10.2.3 Detail Message Field Description

Element	Details
RsltOfInvstgtn	<p>Name: Resolution Of Investigation V09</p> <p>ISO Description: Scope The ResolutionOfInvestigation message is sent by a case assignee to a case creator/case assigner. This message is used to inform of the resolution of a case, and optionally provides details about. - the corrective action undertaken by the case assignee - information on the return where applicable</p> <p>Product Usage: This message is used to provide the business response to a Request for Return of Funds message.</p> <p>XML Tag: <RsltOfInvstgtn></p> <p>Occurrence: [1..1]</p>
INDEX: 1.0 RsltOfInvstgtn +Assgnmt	<p>Name: Assignment</p> <p>ISO Description: Identifies the assignment of an investigation case from an assigner to an assignee. Usage: The assigner must be the sender of this confirmation and the assignee must be the receiver.</p> <p>XML Tag: <Assgnmt></p> <p>Occurrence: [1..1]</p>
INDEX: 1.1 RsltOfInvstgtn +Assgnmt ++Id	<p>Name: Identification</p> <p>ISO Description: Uniquely identifies the case assignment.</p> <p>Product Usage: Assigned by Instructing Agent (Creditor FI) to uniquely identify the message.</p> <p>XML Tag: <Id></p> <p>Occurrence: [1..1]</p> <p>Format: Format: MYYYYMMDDbbbbbbbbbbBAAAnnnnnnnnnnn</p> <p>Pos. 01-01 – Prefix ‘M’ Pos. 02-09 - File creation date in format YYYYYMMDD Pos. 10-20 - Participant ID (11 characters) Pos. 21-21 - Message generation source (“B” if generated by a Participant) Pos. 22-24 - Discretionary bank field (3 digit alpha numeric that can be used to serialize, identify specific systems, etc.) Pos. 25-35 - Message serial number (11 numeric characters)</p> <p>RegEx: M[0-9]{4}(((01 03 05 07 08 10 12)((0[1-9]) ([1-2][0-9]) (3[0-1]))) ((04 06 09 11)((0[1-9]) ([1-2][0-9]) 30)) ((02)((0[1-9]) ([1-2][0-9])))))[A-Z0-9]{11}.*</p> <p>Length: 35</p> <p>Rule(s): The Assignment Identification structure position 01 to 20 is validated for structural alignment according to the format specification. The Creation Date provided in the Assignment Identification must be in the date range +/- one day. The Participant ID provided in the Assignment Identification must be owned by the sender of the message.</p>

Element	Details
	<p>The Assignment Identification must be unique for a calendar day and is used to perform the duplicate message check.</p> <p>Reason Code(s): In case of structural failure the RTP Network will reject with code '650' in Administration Advice message (admi.002). Reject with Message Status Report (pacs.002) if validation</p> <ul style="list-style-type: none"> - of Creation Date fails (reason code 'DT04') - of Participation ownership fails (reason code 'DS0H') - against duplication check occur (reason code 'DUPL') <p>Example: M2017111202120020101BRRF0000000026</p>
<p>INDEX: 1.2 RsItOfInvstgtn +Assgnmt ++Assgnr</p>	<p>Name: Assigner</p> <p>ISO Description: Party who assigns the case. Usage: This is also the sender of the message.</p> <p>XML Tag: <Assgnr></p> <p>Occurrence: [1..1]</p>
<p>INDEX: 1.65 RsItOfInvstgtn +Assgnmt ++Assgnr +++Agt</p>	<p>Name: Agent</p> <p>ISO Description: Identification of a financial institution.</p> <p>XML Tag: <Agt></p> <p>Occurrence: [1..1]</p>
<p>INDEX: 1.66 RsItOfInvstgtn +Assgnmt ++Assgnr +++Agt ++++FinInstnId</p>	<p>Name: Financial Institution Identification</p> <p>ISO Description: Unique and unambiguous identification of a financial institution, as assigned under an internationally recognised or proprietary identification scheme.</p> <p>XML Tag: <FinInstnId></p> <p>Occurrence: [1..1]</p>
<p>INDEX: 1.68 RsItOfInvstgtn +Assgnmt ++Assgnr +++Agt ++++FinInstnId ++++ClrSysMmbld</p>	<p>Name: Clearing System Member Identification</p> <p>ISO Description: Information used to identify a member within a clearing system.</p> <p>XML Tag: <ClrSysMmbld></p> <p>Occurrence: [1..1]</p>
<p>INDEX: 1.72 RsItOfInvstgtn +Assgnmt ++Assgnr +++Agt</p>	<p>Name: Member Identification</p> <p>ISO Description: Identification of a member of a clearing system.</p> <p>Product Usage: The 9 character Routing and Transit Number of the FI initiating this response message. This is the original Assignee (Creditor FI) that is responding to the Request for Return of Funds message (camt.056).</p>

Element	Details
++++FinInstnld +++++ClrSysMmbld +++++Mmbld	<p>XML Tag: <Mmbld></p> <p>Occurrence: [1..1]</p> <p>Format: 9 character Routing and Transit Number (alphabetic characters may be present)</p> <p>Length: 9</p> <p>Rule(s): Member Identification validation must be 9 character Routing and Transit Number.</p> <p>Reason Code(s): The RTP Network will reject with code '650' in Administration Advice message (admi.002) if Routing and Transit number is not supported in RTP database.</p> <p>Reject with Message Status Report (pacs.002) if:</p> <ul style="list-style-type: none"> - Routing and Transit number is not authorized to send this business message (reason code 'AG03') - agent is signed off (reason code '9934') - agent is suspended (reason code '9946') - the sender of the message is not authorized to submit message on behalf of this agent (reason code 'DSOH') <p>Note(s): The system validates that the participant indicated in the Assignment ID (positions 10-20) owns the Routing and Transit Number contained within this field.</p> <p>Example: 021200201</p>
INDEX: 1.129 RsltOfInvstgtn +Assgnmt ++Assgne	<p>Name: Assignee</p> <p>ISO Description: Party to which the case is assigned. Usage: This is also the receiver of the message.</p> <p>XML Tag: <Assgne></p> <p>Occurrence: [1..1]</p>
INDEX: 1.192 RsltOfInvstgtn +Assgnmt ++Assgne +++Agt	<p>Name: Agent</p> <p>ISO Description: Identification of a financial institution.</p> <p>XML Tag: <Agt></p> <p>Occurrence: [1..1]</p>
INDEX: 1.193 RsltOfInvstgtn +Assgnmt ++Assgne +++Agt ++++FinInstnld	<p>Name: Financial Institution Identification</p> <p>ISO Description: Unique and unambiguous identification of a financial institution, as assigned under an internationally recognised or proprietary identification scheme.</p> <p>XML Tag: <FinInstnld></p> <p>Occurrence: [1..1]</p>
INDEX: 1.195 RsltOfInvstgtn	<p>Name: Clearing System Member Identification</p>

Element	Details
+Assgnmt ++Assgne +++Agt ++++FinInstnId +++++ClrSysMmbld	<p>ISO Description: Information used to identify a member within a clearing system.</p> <p>XML Tag: <ClrSysMmbld></p> <p>Occurrence: [1..1]</p>
INDEX: 1.199 RsltOfInvstgtn +Assgnmt ++Assgne +++Agt ++++FinInstnId +++++ClrSysMmbld +++++Mmbld	<p>Name: Member Identification</p> <p>ISO Description: Identification of a member of a clearing system.</p> <p>Product Usage: The 9 character Routing and Transit Number of the FI receiving this message. This is the original Assigner (Debtor FI) that originated the Request for Return of Funds message (camt.056).</p> <p>XML Tag: <Mmbld></p> <p>Occurrence: [1..1]</p> <p>Format: 9 character Routing and Transit Number (alphabetic characters may be present)</p> <p>Length: 9</p> <p>Rule(s): Member Identification must be a valid 9 character Routing and Transit Number.</p> <p>Reason Code(s): Reject with Message Status Report (pacs.002) if :</p> <ul style="list-style-type: none"> - Routing and Transit number is not supported in RTP (reason code 'RC03') - Routing and Transit number is not authorized to receive this specific message (reason code 'AG03') - agent is signed off (reason code '9910') - agent is suspended (reason code '9947') - receiver connection is not available (reason code '9912') <p>Example: 020010201</p>
INDEX: 1.256 RsltOfInvstgtn +Assgnmt ++CreDtTm	<p>Name: Creation Date Time</p> <p>ISO Description: Date and time at which the assignment was created.</p> <p>Product Usage: The date and time this response was created.</p> <p>XML Tag: <CreDtTm></p> <p>Occurrence: [1..1]</p> <p>Format: YYYY-MM-DDThh:mm:ss</p> <p>Length: 19</p> <p>Rule(s): Creation Date Time must be within 1 calendar day of the system's date/time.</p> <p>Reason Code(s): Reject with code 'DT04' in pacs.002 for failing validation.</p> <p>Note(s): The date is required to be set to Eastern Time (ET).</p> <p>Example: 2017-11-12T10:09:33</p>

Element	Details
INDEX: 3.0 RsltOfInvstgtn +Sts	<p>Name: Status</p> <p>ISO Description: Indicates the status of the investigation.</p> <p>XML Tag: <Sts></p> <p>Occurrence: [1..1]</p>
INDEX: 3.1 RsltOfInvstgtn +Sts ++Conf	<p>Name: Confirmation</p> <p>ISO Description: Specifies the status of the investigation, in a coded form.</p> <p>Product Usage: This field identifies the status of the Request for Return of Funds message. Possible statuses include:</p> <ul style="list-style-type: none"> - 'RJCR' – rejected (funds will not be returned) - 'IPAY' – the requested amount will be returned - 'PECR' – Partially Executed Cancellation Return: funds will be returned, but may not match the original amount. <p>RFP Warranty: See RFP Warranty Claims Procedures for more information.</p> <p>XML Tag: <Conf></p> <p>Occurrence: [1..1]</p> <p>Length: 4</p> <p>Rule(s): Only 'RJCR', 'IPAY' or 'PECR' is expected.</p> <p>Reason Code(s): The RTP Network will reject with code '650' in Administration Advice message (admi.002) if code is not 'RJCR', 'IPAY' or 'PECR'.</p> <p>Example: RJCR</p> <p>Permitted Codes</p> <p>IPAY PaymentInitiated</p> <p>PECR PartiallyExecutedCancellationRequest</p> <p>RJCR RejectedCancellationRequest</p>
INDEX: 4.0 RsltOfInvstgtn +CxlDtls	<p>Name: Cancellation Details</p> <p>ISO Description: Specifies the details of the underlying transactions being cancelled.</p> <p>XML Tag: <CxlDtls></p> <p>Occurrence: [1..1]</p>
INDEX: 4.1 RsltOfInvstgtn +CxlDtls ++OrgnlGrplnfAndSts	<p>Name: Original Group Information And Status</p> <p>ISO Description: Provides information on the original cancellation message, to which the resolution refers.</p> <p>XML Tag: <OrgnlGrplnfAndSts></p> <p>Occurrence: [1..1]</p>
INDEX: 4.3 RsltOfInvstgtn	<p>Name: Resolved Case</p>

Element	Details
+CxlDtIs ++OrgnlGrpInfAndSts +++RslvdCase	<p>ISO Description: Identifies the case.</p> <p>XML Tag: <RslvdCase></p> <p>Occurrence: [1..1]</p>
INDEX: 4.4 RsItOfInvstgtn +CxlDtIs ++OrgnlGrpInfAndSts +++RslvdCase ++++Id	<p>Name: Identification</p> <p>ISO Description: Uniquely identifies the case.</p> <p>Product Usage: The Case ID used in the original Request for Return of Funds (Equals the Assignment ID of the original camt.056 message).</p> <p>XML Tag: <Id></p> <p>Occurrence: [1..1]</p> <p>Format: Format: MYYYYMMDDbbbbbbbbbbBAAAnnnnnnnnnn Pos. 01-01 – Prefix ‘M’ Pos. 02-09 - File creation date in format YYYYYMMDD Pos. 10-20 - Participant ID (11 characters) Pos. 21-21 - Message generation source (“B” if generated by a Participant) Pos. 22-24 - Discretionary bank field (3 digit alpha numeric that can be used to serialize, identify specific systems, etc.) Pos. 25-35 - Message serial number (11 numeric characters)</p> <p>Length: 35</p> <p>Example: M2017111213100000001BROF00000000056</p>
INDEX: 4.5 RsItOfInvstgtn +CxlDtIs ++OrgnlGrpInfAndSts +++RslvdCase ++++Cretr	<p>Name: Creator</p> <p>ISO Description: Party that created the investigation case.</p> <p>Product Usage: The Creator of the original Request for Return of Funds (camt.056) message.</p> <p>XML Tag: <Cretr></p> <p>Occurrence: [1..1]</p> <p>Rule(s): Only element Agent is allowed.</p> <p>Note(s): Information from original Request message are copied into these elements.</p>
INDEX: 4.68 RsItOfInvstgtn +CxlDtIs ++OrgnlGrpInfAndSts +++RslvdCase ++++Cretr ++++Agt	<p>Name: Agent</p> <p>ISO Description: Identification of a financial institution.</p> <p>Product Usage: Original Agent information as provided in the original Request for Return of Funds (camt.056) message.</p> <p>XML Tag: <Agt></p> <p>Occurrence: [1..1]</p>

Element	Details
INDEX: 4.69 RsltOfInvstgtn +CxlDtIs ++OrgnlGrpInfAndSts +++RslvdCase ++++Cretr +++++Agt +++++FinInstnId	Name: Financial Institution Identification ISO Description: Unique and unambiguous identification of a financial institution, as assigned under an internationally recognised or proprietary identification scheme. XML Tag: <FinInstnId> Occurrence: [1..1]
INDEX: 4.71 RsltOfInvstgtn +CxlDtIs ++OrgnlGrpInfAndSts +++RslvdCase ++++Cretr +++++Agt +++++FinInstnId +++++ClrSysMmbld	Name: Clearing System Member Identification ISO Description: Information used to identify a member within a clearing system. XML Tag: <ClrSysMmbld> Occurrence: [1..1]
INDEX: 4.75 RsltOfInvstgtn +CxlDtIs ++OrgnlGrpInfAndSts +++RslvdCase ++++Cretr +++++Agt +++++FinInstnId +++++ClrSysMmbld +++++Mmbld	Name: Member Identification ISO Description: Identification of a member of a clearing system. Product Usage: The 9 character Routing and Transit number of the original Agent that initiated the Request for Return of Funds (camt.056) message. XML Tag: <Mmbld> Occurrence: [1..1] Length: 9 Example: 131000000
INDEX: 4.133 RsltOfInvstgtn +CxlDtIs ++OrgnlGrpInfAndSts +++OrgnlMsgId	Name: Original Message Identification ISO Description: Point to point reference, as assigned by the original instructing party, to unambiguously identify the original message. Product Usage: The Original Assignment Identification from the Request for Return of Funds message (camt.056). XML Tag: <OrgnlMsgId> Occurrence: [1..1] Format: Format: MYYYYMMDDbbbbbbbbbbBAAAnnnnnnnnnn Pos. 01-01 – Prefix ‘M’ Pos. 02-09 - File creation date in format YYYYYMMDD

Element	Details
	<p>Pos. 10-20 - Participant ID (11 characters) Pos. 21-21 - Message generation source ("B" if generated by a Participant) Pos. 22-24 - Discretionary bank field (3 digit alpha numeric that can be used to serialize, identify specific systems, etc.) Pos. 25-35 - Message serial number (11 numeric characters)</p> <p>Length: 35 Example: M2017111213100000001BROF00000000056</p>
<p>INDEX: 4.134 RsltOfInvstgtn +CxlDtIs ++OrgnlGrpInfAndSts +++OrgnlMsgNmId</p>	<p>Name: Original Message Name Identification</p> <p>ISO Description: Specifies the original message name identifier to which the message refers.</p> <p>Product Usage: Message Name Identification from the original Request for Return of Funds message (camt.056)</p> <p>XML Tag: <OrgnlMsgNmId></p> <p>Occurrence: [1..1] Length: 35 Rule(s): Must be camt.056.001.08 Example: camt.056.001.08</p> <p>Permitted Codes</p> <p>camt.056.001.05 Payment Cancellation (Request for Return of Funds or System Time-out) camt.056.001.08 Payment Cancellation (Request for Return of Funds or System Time-out) - V08</p>
<p>INDEX: 4.135 RsltOfInvstgtn +CxlDtIs ++OrgnlGrpInfAndSts +++OrgnlCreDtTm</p>	<p>Name: Original Creation Date Time</p> <p>ISO Description: Date and time at which the original message was created.</p> <p>Product Usage: The date of the original camt.056 message.</p> <p>XML Tag: <OrgnlCreDtTm></p> <p>Occurrence: [1..1] Format: YYYY-MM-DDThh:mm:ss Length: 19</p> <p>Reason Code(s): The RTP Network will reject with code '650' in Administration Advice message (admi.002) if not valid. Note(s): The date is required to be set to Eastern Time (ET). Example: 2017-11-12T10:05:00</p>
<p>INDEX: 4.139 RsltOfInvstgtn +CxlDtIs ++OrgnlGrpInfAndSts</p>	<p>Name: Cancellation Status Reason Information</p> <p>ISO Description: Provides detailed information on the cancellation status reason.</p> <p>Product Usage: This element is only used if the Status Confirmation is 'RJCR'.</p> <p>XML Tag: <CxlStsRsnInf></p>

Element	Details
+++CxlStsRsnInf INDEX: 4.202 RslnOfInvstgtn +CxlDtIs ++OrgnlGrpInfAndSts +++CxlStsRsnInf ++++Rsn	<p>Occurrence: [0..1]</p> <p>Name: Reason</p> <p>ISO Description: Specifies the reason for the status report.</p> <p>Product Usage: Specifies the reason for the negative Response to Request for Return of Funds.</p> <p>XML Tag: <Rsn></p> <p>Occurrence: [1..1]</p>
INDEX: 4.203 RslnOfInvstgtn +CxlDtIs ++OrgnlGrpInfAndSts +++CxlStsRsnInf ++++Rsn +++++Cd	<p>Name: Code</p> <p>ISO Description: Reason for the cancellation status, in a coded form.</p> <p>XML Tag: <Cd></p> <p>Occurrence: [1..1]</p> <p>Length: 4</p> <p>Note(s): See the agreed Reason Codes for usage with pacs.002 in the Appendix section. RTP will not restrict the existing available ISO codes.</p> <p>Example: CUST</p> <p>Permitted Codes</p> <ul style="list-style-type: none"> AC04 ClosedAccountNumber AM04 InsufficientFunds ARDT AlreadyReturned CUST CustomerDecision LEGL LegalDecision NOAS NoAnswerFromCustomer NOOR NoOriginalTransactionReceived
INDEX: 4.2448 RslnOfInvstgtn +CxlDtIs ++TxInfAndSts	<p>Name: Transaction Information And Status</p> <p>ISO Description: Provides details on the original transactions to which the cancellation request message refers.</p> <p>Product Usage: This element is used to provide additional information about the execution of an accepted or partially executed Request for Return of Funds (camt.056) message.</p> <p>XML Tag: <TxInfAndSts></p> <p>Occurrence: [0..1]</p>
INDEX: 4.2449 RslnOfInvstgtn +CxlDtIs	<p>Name: Cancellation Status Identification</p> <p>ISO Description: Unique and unambiguous identifier of a cancellation request status, as assigned by the assigner.</p>

Element	Details
++TxInfAndSts +++CxlStsId	<p>Usage: The cancellation status identification can be used for reconciliation or to link tasks relating to the cancellation request.</p> <p>Product Usage: This field is required if the Status is 'PECR' or if the Status is 'IPAY' and the funds are being returned through a payment channel other than RTP.</p> <p>XML Tag: <CxlStsId></p> <p>Occurrence: [0..1]</p> <p>Length: 35</p> <p>Note(s): When returning funds outside of RTP, the unique identifier of the transaction used to return the funds must be included in this field. ACH -- Trace Number FedWire -- IMAD CHIPS -- System Sequence Number (SSN)</p>
INDEX: 4.2588 RsltnOfInvstgtn +CxlDtIs ++TxInfAndSts +++OrgnlUETR	<p>Name: Original UETR</p> <p>ISO Description: Universally unique identifier to provide the original end-to-end reference of a payment transaction.</p> <p>Product Usage: The UETR identifier is assigned by the instructing agent to link an RTP message to services or arrangements outside of the RTP network. If used, the same UETR should be passed on throughout the entire payment chain without being changed. The ability to include a UETR identifier in an RTP message does not mean that RTP messages can be used as part of a larger end-to-end transfer or as a cover payment. Readers should refer to the RTP Operating Rules to determine permissible uses of RTP messages.</p> <p>XML Tag: <OrgnlUETR></p> <p>Occurrence: [0..1]</p> <p>Length: 36</p> <p>RegEx: [a-f0-9]{8}-[a-f0-9]{4}-4[a-f0-9]{3}-[89ab][a-f0-9]{3}-[a-f0-9]{12}</p> <p>Example: eb6305c9-1f7f-49de-aed0-16487c27b42d</p>
INDEX: 4.2657 RsltnOfInvstgtn +CxlDtIs ++TxInfAndSts +++RsltnRltdInf	<p>Name: Resolution Related Information</p> <p>ISO Description: Reference of a return or a reversal transaction that is initiated to fix the case under investigation as part of the resolution.</p> <p>XML Tag: <RsltnRltdInf></p> <p>Occurrence: [0..1]</p>
INDEX: 4.2661 RsltnOfInvstgtn +CxlDtIs ++TxInfAndSts +++RsltnRltdInf	<p>Name: Interbank Settlement Amount</p> <p>ISO Description: Amount of money moved between the instructing agent and the instructed agent.</p> <p>Product Usage: In case of a partial return of funds the returned amount is provided in this field.</p> <p>XML Tag: <IntrBkSttlmAmt></p>

Element	Details
++++IntrBkSttlmAmt	<p>Occurrence: [1..1]</p> <p>Rule(s): The number of fractional digits (or minor unit of currency) must comply with ISO 4217. Note: The decimal separator is a dot.</p> <p>Note(s): RTP does not confirm if the amount provided is less than, equal to, or greater than the original requested amount. Additionally, RTP does not confirm if the amount returned via RTP credit transfer is equal to the amount provided in this field.</p> <p>Example: 6284534</p> <p>Frac Digits: 2</p> <p>Total Digits: 18</p>
INDEX: 4.2662	<p>Name: Currency</p> <p>ISO Description: A code allocated to a currency by a Maintenance Agency under an international identification scheme, as described in the latest edition of the international standard ISO 4217 "Codes for the representation of currencies and funds".</p> <p>XML Tag: <Ccy></p> <p>RegEx: [A-Z]{3,3}</p> <p>Length: 3</p> <p>Rule(s): The Currency Code must be registered, or have already been registered. Valid active or historic currency codes are registered with the ISO 4217 Maintenance Agency, consist of three (3) contiguous letters, and may be or not be withdrawn on the day the message containing the Currency is exchanged.</p> <p>Example: USD</p>
Permitted Codes	
<p>USD US Dollar</p>	
INDEX: 4.2663 RsltnOfInvstgtn +CxlDtls ++TxInfAndSts +++RsltnRltdInf ++++IntrBkSttlmDt	<p>Name: Interbank Settlement Date</p> <p>ISO Description: Date on which the amount of money ceases to be available to the agent that owes it and when the amount of money becomes available to the agent to which it is due.</p> <p>Product Usage: Indication of the date on which the return is intended to be settled.</p> <p>XML Tag: <IntrBkSttlmDt></p> <p>Occurrence: [0..1]</p> <p>Format: YYYY-MM-DD</p> <p>Length: 10</p>
INDEX: 4.2664 RsltnOfInvstgtn +CxlDtls	<p>Name: Clearing Channel</p> <p>ISO Description: Specifies the clearing channel to be used to process the payment instruction.</p>

Element	Details
++TxInfAndSts +++RsltRltdInf ++++ClrChanI	<p>Product Usage: Indication of the channel on which the return will be processed. If the return is going to be processed via an RTP Credit Transfer, this element should not be included.</p> <p>XML Tag: <ClrChanI></p> <p>Occurrence: [0..1]</p> <p>Length: 4</p> <p>Note(s): MPNS - for ACH payment RTGS - for FedWire RTNS - for CHIPS</p> <p>Example: RTGS</p>
	<p>Permitted Codes</p> <p>MPNS MassPaymentNetSystem</p> <p>RTGS RealTimeGrossSettlementSystem</p> <p>RTNS RealTimeNetSettlementSystem</p>
INDEX: 4.2799 RsltOfInvstgtn +CxIDtls ++TxInfAndSts +++RsltRltdInf ++++Chrgs	<p>Name: Charges</p> <p>ISO Description: Provides information on the charges to be paid by the charge bearer(s) related to the payment transaction.</p> <p>Product Usage: Indication of the indication if a participant charged fees to Debtor for initiating the return.</p> <p>XML Tag: <Chrgs></p> <p>Occurrence: [0..1]</p>
INDEX: 4.2800 RsltOfInvstgtn +CxIDtls ++TxInfAndSts +++RsltRltdInf ++++Chrgs +++++Amt	<p>Name: Amount</p> <p>ISO Description: Transaction charges to be paid by the charge bearer.</p> <p>Product Usage: Information about the fees that have been applied by the Participant returning the funds from the returned amount.</p> <p>XML Tag: <Amt></p> <p>Occurrence: [1..1]</p> <p>Rule(s): The number of fractional digits (or minor unit of currency) must comply with ISO 4217. Note: The decimal separator is a dot.</p> <p>Example: 6284534</p> <p>Frac Digits: 2</p> <p>Total Digits: 18</p>
INDEX: 4.2801	<p>Name: Currency</p> <p>ISO Description: A code allocated to a currency by a Maintenance Agency under an international identification scheme, as described in the latest edition of the international standard ISO 4217 "Codes for the representation of currencies and funds".</p>

Element	Details
	<p>XML Tag: <Ccy></p> <p>RegEx: [A-Z]{3,3}</p> <p>Length: 3</p> <p>Rule(s): The Currency Code must be registered, or have already been registered. Valid active or historic currency codes are registered with the ISO 4217 Maintenance Agency, consist of three (3) contiguous letters, and may be or not be withdrawn on the day the message containing the Currency is exchanged.</p> <p>Example: USD</p>
	<p>Permitted Codes</p> <p>USD US Dollar</p>
<p>INDEX: 4.2802</p> <p>RsltOfInvstgtn +CxlDtIs ++TxInfAndSts +++RsltRltdInf ++++Chrgs ++++Agt</p>	<p>Name: Agent</p> <p>ISO Description: Agent that takes the transaction charges or to which the transaction charges are due.</p> <p>XML Tag: <Agt></p> <p>Occurrence: [1..1]</p>
<p>INDEX: 4.2803</p> <p>RsltOfInvstgtn +CxlDtIs ++TxInfAndSts +++RsltRltdInf ++++Chrgs ++++Agt +++++FinInstnId</p>	<p>Name: Financial Institution Identification</p> <p>ISO Description: Unique and unambiguous identification of a financial institution, as assigned under an internationally recognised or proprietary identification scheme.</p> <p>XML Tag: <FinInstnId></p> <p>Occurrence: [1..1]</p>
<p>INDEX: 4.2805</p> <p>RsltOfInvstgtn +CxlDtIs ++TxInfAndSts +++RsltRltdInf ++++Chrgs ++++Agt +++++FinInstnId ++++++ClrSysMmbld</p>	<p>Name: Clearing System Member Identification</p> <p>ISO Description: Information used to identify a member within a clearing system.</p> <p>XML Tag: <ClrSysMmbld></p> <p>Occurrence: [1..1]</p>
<p>INDEX: 4.2809</p> <p>RsltOfInvstgtn</p>	<p>Name: Member Identification</p>

Element	Details
+CxlDtIs ++TxInfAndSts +++RsltnRltdInf ++++Chrgs +++++Agt ++++++FinInstnId +++++++ClrSysMmbld +++++++Mmbld	ISO Description: Identification of a member of a clearing system. Product Usage: Routing and Transit Number of the Participant who charged or collected a fee related to the return. XML Tag: <Mmbld> Occurrence: [1..1] Length: 9

11 MESSAGE STRUCTURE SPECIFICATION REQUEST FOR INFORMATION

11.1 Request for Information – camt.026.001.07

This chapter defines the standard product message formats used by the RTP system for sending and receiving a Request for Information message (camt.026) and the associated Response to Request for Information (camt.028) message, between RTP and Participants using the System.

This chapter covers the following:

- The message structure of the camt.026 and the camt.028 used in RTP
- The required data types and usage rules of the data fields in these messages

11.1.1 Scope

The Request for Information (camt.026) message is used to request additional details related to a Credit Transfer (pacs.008) or a Request for Payment (pain.013) that has been received.

The Request for Information (camt.026) is always responded to with a Message Status Report (pacs.002) indicating whether or not the request is able to be displayed to the intended recipient. The Response to Request for Information (camt.028) is used to provide the information requested in the original message.

Information can be requested by an end-user or by an RTP Participant institution. Requests that are sent by end users must always be presented to the other end-user. Requests that are sent by an RTP Participant must be presented to an employee of the other RTP Participant involved in the original message.

		Message Recipient	
		End User	RTP Participant
Message Sender	End User	For Credit Transfer or Request For Payment	Not Permitted
	RTP Participant	Not permitted	For Credit Transfer or Request for Payment

11.1.2 Message Structure Description

Index	XML Tag	Element Name	Occurr.	Length	M/O/C
	UblToApply	Unable To Apply V07	[1..1]		M
1.0	Assgnmt	Assignment	[1..1]		M
1.1	Id	Identification	[1..1]	35	M
1.2	Assgnr	Assigner	[1..1]		M
1.65	Agt	Agent	[1..1]		M
1.66	FinInstnId	Financial Institution Identification	[1..1]		M
1.68	ClrSysMmbld	Clearing System Member Identification	[1..1]		M
1.72	Mmbld	Member Identification	[1..1]	9	M
1.129	Assgne	Assignee	[1..1]		M
1.192	Agt	Agent	[1..1]		M
1.193	FinInstnId	Financial Institution Identification	[1..1]		M
1.195	ClrSysMmbld	Clearing System Member Identification	[1..1]		M
1.199	Mmbld	Member Identification	[1..1]	9	M
1.256	CreDtTm	Creation Date Time	[1..1]	19	M
2.0	Case	Case	[1..1]		M
2.1	Id	Identification	[1..1]	35	M
2.2	Cretr	Creator	[1..1]		M
2.3	{Or} Pty	Party	[1..1]		C
2.4	Nm	Name	[1..1]	140	M
2.65	Or} Agt	Agent	[1..1]		C
2.66	FinInstnId	Financial Institution Identification	[1..1]		M
2.68	ClrSysMmbld	Clearing System Member Identification	[1..1]		M
2.72	Mmbld	Member Identification	[1..1]	9	M
3.0	Undrlyg	Underlying	[1..1]		M
3.1	{Or} Initn	Initiation	[1..1]		C
3.2	OrgnlGrpInf	Original Group Information	[1..1]		M
3.3	OrgnlMsgId	Original Message Identification	[1..1]	35	M
3.4	OrgnlMsgNmId	Original Message Name Identification	[1..1]	35	M
3.5	OrgnlCreDtTm	Original Creation Date Time	[1..1]	19	M
3.7	OrgnlPmtInfId	Original Payment Information Identification	[1..1]	35	M
3.9	OrgnlEndToEndId	Original End To End Identification	[0..1]	35	O
3.10	OrgnlUETR	Original UETR	[0..1]	36	O
3.11	OrgnlInstdAmt	Original Instructed Amount	[1..1]	18	M
3.12	Ccy	Currency	[required]	3	M
3.13	ReqdExctnDt	Requested Execution Date	[1..1]		M
3.14	{Or} Dt	Date	[1..1]	10	M
3.15	Or} DtTm	Date Time	[1..1]	19	M
3.1835	Or} IntrBk	Interbank	[1..1]		C
3.1836	OrgnlGrpInf	Original Group Information	[1..1]		M
3.1837	OrgnlMsgId	Original Message Identification	[1..1]	35	M
3.1838	OrgnlMsgNmId	Original Message Name Identification	[1..1]	35	M
3.1839	OrgnlCreDtTm	Original Creation Date Time	[1..1]	19	M
3.1841	OrgnlInstrId	Original Instruction Identification	[1..1]	35	M
3.1842	OrgnlEndToEndId	Original End To End Identification	[0..1]	35	O
3.1843	OrgnlTxId	Original Transaction Identification	[1..1]	35	M
3.1844	OrgnlUETR	Original UETR	[0..1]		O
3.1845	OrgnlIntrBkSttlmAmt	Original Interbank Settlement Amount	[1..1]	18	M

Index	XML Tag	Element Name	Occurr.	Length	M/O/C
3.1846	Ccy	Currency	[required]	3	M
3.1847	OrgnlIntrBkSttlmDt	Original Interbank Settlement Date	[1..1]	10	M
4.0	Justfn	Justification	[1..1]		M
4.2	MssngOrIncrctInf	Missing Or Incorrect Information	[1..1]		M
4.4	MssngInf	Missing Information	[0..10]		C
4.5	Cd	Code	[1..1]	4	M
4.6	AddtlMssngInf	Additional Missing Information	[0..1]	140	C
4.7	IncrctInf	Incorrect Information	[0..10]		C
4.8	Cd	Code	[1..1]	4	M
4.9	AddtlIncrctInf	Additional Incorrect Information	[0..1]	140	C

11.1.3 Detail Message Field Description

Element	Details
UblToApply	<p>Name: Unable To Apply V07</p> <p>Product Usage: This message is used as a Request for Information (RFI).</p> <p>XML Tag: <UblToApply></p> <p>Occurrence: [1..1]</p>
<p>INDEX: 1.0</p> <p>UblToApply +Assgnmt</p>	<p>Name: Assignment</p> <p>ISO Description: Identifies the assignment of an investigation case from an assigner to an assignee. Usage: The assigner must be the sender of this confirmation and the assignee must be the receiver.</p> <p>XML Tag: <Assgnmt></p> <p>Occurrence: [1..1]</p>
<p>INDEX: 1.1</p> <p>UblToApply +Assgnmt ++Id</p>	<p>Name: Identification</p> <p>ISO Description: Uniquely identifies the case assignment.</p> <p>Product Usage: Assigned by sending Participant to uniquely identify the message. The uniqueness of a Request for Information is determined by the Assignment Identification and is based on the format below. RTP will use the Assignment ID to perform a check for a duplicate transaction within the duplicate checking period and as a reference to the payment instruction in other non-payment messages (i.e. Response to Request for Information).</p> <p>XML Tag: <Id></p> <p>Occurrence: [1..1]</p> <p>Format: Expected Format: MYYYYMMDDbbbbbbbbbbBAAAnnnnnnnnnnn Pos. 01-01 – Prefix ‘M’ Pos. 02-09 – File creation date in format YYYYMMDD Pos. 10-20 – Participant ID (11 characters) Pos. 21-21 – Message generation source (“B” if generated by a Participant) Pos. 22-24 – Discretionary bank field (3 digit alpha numeric that can be used to serialize, identify specific systems, etc.) Pos. 25-35 – Message serial number (11 numeric characters)</p> <p>RegEx: M[0-9]{4}(((01 03 05 07 08 10 12)((0[1-9]) ([1-2][0-9]) (3[0-1])) ((04 06 09 11)((0[1-9]) ([1-2][0-9]) 30)) ((02)((0[1-9]) ([1-2][0-9])))))[A-Z0-9]{11}.*</p> <p>Length: 35</p> <p>Rule(s): The first 20 characters of Assignment Identification (positions 01-20) are validated for structural alignment in accordance with the format specification. Business validations for the Assignment Identification include: - Embedded date (positions 02-09) must be within 1 calendar day of the system date. - Embedded Participant ID (positions 10-20) must be owned by the sender of the message. The Assignment Identification must be unique for a calendar day and is used to perform the duplicate message check.</p>

Element	Details
	<p>Reason Code(s): Reject with Message Status Report (pacs.002) if:</p> <ul style="list-style-type: none"> - Assignment Identification matches a previously completed transaction (DUPL); - Embedded date is not within 1 calendar day of the system date (DT04) - Participant ID is not owned by the Instructing Agent (DS0H) <p>In case for structural validation failure, the RTP Network will reject with code '650' in Administration Advice message (admi.002).</p> <p>Example: M2017111202120020101BRFI0000000001</p>
<p>INDEX: 1.2 UblToApply +Assgnmt ++Assgnr</p>	<p>Name: Assigner</p> <p>ISO Description: Party who assigns the case. Usage: This is also the sender of the message.</p> <p>Product Usage: Sending (Creditor) FI requesting further information from the Debtor FI.</p> <p>XML Tag: <Assgnr></p> <p>Occurrence: [1..1]</p>
<p>INDEX: 1.65 UblToApply +Assgnmt ++Assgnr +++Agt</p>	<p>Name: Agent</p> <p>ISO Description: Identification of a financial institution.</p> <p>XML Tag: <Agt></p> <p>Occurrence: [1..1]</p>
<p>INDEX: 1.66 UblToApply +Assgnmt ++Assgnr +++Agt ++++FinInstnId</p>	<p>Name: Financial Institution Identification</p> <p>ISO Description: Unique and unambiguous identification of a financial institution, as assigned under an internationally recognised or proprietary identification scheme.</p> <p>XML Tag: <FinInstnId></p> <p>Occurrence: [1..1]</p>
<p>INDEX: 1.68 UblToApply +Assgnmt ++Assgnr +++Agt ++++FinInstnId ++++ClrSysMmbld</p>	<p>Name: Clearing System Member Identification</p> <p>ISO Description: Information used to identify a member within a clearing system.</p> <p>XML Tag: <ClrSysMmbld></p> <p>Occurrence: [1..1]</p>
<p>INDEX: 1.72 UblToApply +Assgnmt</p>	<p>Name: Member Identification</p> <p>ISO Description: Identification of a member of a clearing system.</p>

Element	Details
++Assgnr +++Agt ++++FinInstnId +++++ClrSysMmbld +++++Mmbld	<p>Product Usage: The 9 character Routing and Transit Number of the FI initiating the Request for Information message.</p> <p>XML Tag: <Mmbld></p> <p>Occurrence: [1..1]</p> <p>Format: 9 character Routing and Transit Number (alphabetic characters may be present)</p> <p>Length: 9</p> <p>Rule(s): Member Identification must be a valid 9 character Routing and Transit Number.</p> <p>Reason Code(s): The RTP Network will reject with code '650' in Administration Advice message (admi.002) if Routing and Transit number is included in RTP.</p> <p>Reject with Message Status Report (pacs.002) if:</p> <ul style="list-style-type: none"> - Routing and Transit number is not authorized to send this business message (reason code 'AG03') - agent is signed off (reason code '9934') - agent is suspended (reason code '9946') - the sender of the message is not authorized to submit message on behalf of this agent (reason code 'DS0H') <p>Note(s): The system validates that the participant indicated in the Assignment ID (positions 10-20) owns the Routing and Transit Number contained within this field.</p> <p>Example: 021200201</p>
INDEX: 1.129 UblToApply +Assgnmt ++Assgne	<p>Name: Assignee</p> <p>ISO Description: Party to which the case is assigned. Usage: This is also the receiver of the message.</p> <p>Product Usage: Participant to whom the Request for Information message has been sent.</p> <p>XML Tag: <Assgne></p> <p>Occurrence: [1..1]</p>
INDEX: 1.192 UblToApply +Assgnmt ++Assgne +++Agt	<p>Name: Agent</p> <p>ISO Description: Identification of a financial institution.</p> <p>XML Tag: <Agt></p> <p>Occurrence: [1..1]</p>
INDEX: 1.193 UblToApply +Assgnmt ++Assgne +++Agt	<p>Name: Financial Institution Identification</p> <p>ISO Description: Unique and unambiguous identification of a financial institution, as assigned under an internationally recognised or proprietary identification scheme.</p> <p>XML Tag: <FinInstnId></p> <p>Occurrence: [1..1]</p>

Element	Details
++++FinInstnId INDEX: 1.195 UblToApply +Assgnmt ++Assgne +++Agt ++++FinInstnId +++++ClrSysMmbld	<p>Name: Clearing System Member Identification</p> <p>ISO Description: Information used to identify a member within a clearing system.</p> <p>XML Tag: <ClrSysMmbld></p> <p>Occurrence: [1..1]</p>
INDEX: 1.199 UblToApply +Assgnmt ++Assgne +++Agt ++++FinInstnId +++++ClrSysMmbld +++++Mmbld	<p>Name: Member Identification</p> <p>ISO Description: Identification of a member of a clearing system.</p> <p>Product Usage: The 9 character Routing and Transit Number of the FI receiving the Request for Information message.</p> <p>XML Tag: <Mmbld></p> <p>Occurrence: [1..1]</p> <p>Format: 9 character Routing and Transit Number (alphabetic characters may be present)</p> <p>Length: 9</p> <p>Rule(s): Member Identification must be a valid 9 character Routing and Transit Number.</p> <p>Reason Code(s): Reject with Message Status Report (pacs.002) if:</p> <ul style="list-style-type: none"> - Routing and Transit number is not supported in RTP (reason code 'RC04') - Routing and Transit number is not authorized to receive this specific message (reason code 'AG03') - agent is signed off (reason code '9910') - agent is suspended (reason code '9947') - receiver connection is not available (reason code '9912') <p>Example: 021200201</p>
INDEX: 1.256 UblToApply +Assgnmt ++CreDtTm	<p>Name: Creation Date Time</p> <p>ISO Description: Date and time at which the assignment was created.</p> <p>Product Usage: The date and time the assignment was created.</p> <p>XML Tag: <CreDtTm></p> <p>Occurrence: [1..1]</p> <p>Format: YYYY-MM-DDThh:mm:ss</p> <p>Length: 19</p> <p>Rule(s): Creation Date Time must be within 1 calendar day of the system's date/time.</p> <p>Reason Code(s): Reject with code 'DT04' in pacs.002 for failing validation.</p>

Element	Details
	<p>Note(s): The date is required to be set to Eastern Time (ET). Example: 2017-11-12T10:09:33</p>
<p>INDEX: 2.0 UblToApply +Case</p>	<p>Name: Case ISO Description: Identifies the investigation case. XML Tag: <Case> Occurrence: [1..1]</p>
<p>INDEX: 2.1 UblToApply +Case ++Id</p>	<p>Name: Identification ISO Description: Uniquely identifies the case. Product Usage: Case ID must be equal to Assignment ID. In RTP, only one Case is permitted per Assignment. XML Tag: <Id> Occurrence: [1..1] Length: 35 Rule(s): This must be equal to the Assignment ID. Example: M2017111202120020101BRFI000000000101</p>
<p>INDEX: 2.2 UblToApply +Case ++Cretr</p>	<p>Name: Creator ISO Description: Party that created the investigation case. Product Usage: Identifier of the sender of the RFI, either an end-user's name or an RTP Participant's nine-digit routing number. Both Party Name and Agent ... Member ID may not be present in the same message. XML Tag: <Cretr> Occurrence: [1..1] Note(s): This field is used to identify the sender of the RFI as an end-user or an RTP Participant.</p>
<p>INDEX: 2.3 Choice: {Or UblToApply +Case ++Cretr +++Pty</p>	<p>Name: Party ISO Description: Identification of a person or an organisation. XML Tag: <Pty> Occurrence: [1..1] Note(s): Party name is only used when the initiator of the RFI is an end-user.</p>
<p>INDEX: 2.4 UblToApply +Case ++Cretr +++Pty</p>	<p>Name: Name ISO Description: Name by which a party is known and which is usually used to identify that party. Product Usage: Official name of the end-user that is requesting additional information. XML Tag: <Nm></p>

Element	Details
++++Nm	<p>Occurrence: [1..1] Length: 140</p>
<p>INDEX: 2.65 Choice: Or} UblToApply +Case ++Cretr +++Agt</p>	<p>Name: Agent ISO Description: Identification of a financial institution. XML Tag: <Agt> Occurrence: [1..1] Note(s): Agent is only used when the initiator of the RFI is an RTP Participant requesting information from another RTP Participant.</p>
<p>INDEX: 2.66 UblToApply +Case ++Cretr +++Agt ++++FinInstnId</p>	<p>Name: Financial Institution Identification ISO Description: Unique and unambiguous identification of a financial institution, as assigned under an internationally recognised or proprietary identification scheme. XML Tag: <FinInstnId> Occurrence: [1..1]</p>
<p>INDEX: 2.68 UblToApply +Case ++Cretr +++Agt ++++FinInstnId +++++ClrSysMmbld</p>	<p>Name: Clearing System Member Identification ISO Description: Information used to identify a member within a clearing system. XML Tag: <ClrSysMmbld> Occurrence: [1..1]</p>
<p>INDEX: 2.72 UblToApply +Case ++Cretr +++Agt ++++FinInstnId +++++ClrSysMmbld ++++++Mmbld</p>	<p>Name: Member Identification ISO Description: Identification of a member of a clearing system. Product Usage: Used in RTP Participant initiated scenarios to provide the 9 character Routing and Transit number of the RTP Participant provided from the original Request for Information (camt.026) message. XML Tag: <Mmbld> Occurrence: [1..1] Format: 9 character Routing and Transit Number (alphabetic characters may be present) Length: 9 Example: 021200201</p>
<p>INDEX: 3.0 UblToApply</p>	<p>Name: Underlying ISO Description: References the payment instruction or statement entry that a party is unable to execute or unable to reconcile.</p>

Element	Details
+Undrlyg	<p>Product Usage: Information about the underlying message for which this Request for Information is created. RFI sender will include either the Initiation element for an RFI related to a Request for Payment (pain.013) or the Interbank element for an RFI related to a Credit Transfer (pacs.008). Both Initiation and Interbank may not be present in the same request.</p> <p>XML Tag: <Undrlyg></p> <p>Occurrence: [1..1]</p>
INDEX: 3.1 Choice: {Or UblToApply +Undrlyg ++Initn	<p>Name: Initiation</p> <p>ISO Description: Set of elements used to reference the details of the original payment initiation.</p> <p>XML Tag: <Initn></p> <p>Occurrence: [1..1]</p>
INDEX: 3.2 UblToApply +Undrlyg ++Initn +++OrgnlGrpInf	<p>Name: Original Group Information</p> <p>ISO Description: Set of elements used to provide information on the original message.</p> <p>XML Tag: <OrgnlGrpInf></p> <p>Occurrence: [1..1]</p>
INDEX: 3.3 UblToApply +Undrlyg ++Initn +++OrgnlGrpInf ++++OrgnlMsgId	<p>Name: Original Message Identification</p> <p>ISO Description: Point to point reference, as assigned by the original instructing party, to unambiguously identify the original message.</p> <p>Product Usage: Message identification from the original Request for Payment (pain.013) message that is being referenced.</p> <p>XML Tag: <OrgnlMsgId></p> <p>Occurrence: [1..1]</p> <p>Format: Expected format: MYYYYMMDDbbbbbbbbbbBAAAnnnnnnnnnn Pos. 01-01 – Prefix ‘M’ Pos. 02-09 – File creation date in format YYYYMMDD Pos. 10-20 – Participant ID (11 characters) Pos. 21-21 – Message generation source (“B” if generated by a Participant) Pos. 22-24 – Discretionary bank field (3 digit alpha numeric that can be used to serialize, identify specific systems, etc.) Pos. 25-35 – Message serial number (11 numeric characters)</p> <p>Length: 35</p> <p>Example: M2017111202120020101BTRF0000000011</p>
INDEX: 3.4 UblToApply +Undrlyg ++Initn	<p>Name: Original Message Name Identification</p> <p>ISO Description: Specifies the original message name identifier to which the message refers.</p> <p>Product Usage: Specifies the type of the original message, to which this Request for Information message is being used.</p>

Element	Details
+++OrgnlGrpInf ++++OrgnlMsgNmId	<p> XML Tag: <OrgnlMsgNmId> Occurrence: [1..1] Length: 35 Rule(s): Expected value is pain.013.001.07 (for Request for Payment) Reason Code(s): The RTP Network will reject with code '650' in Administration Advice message (admi.002) if Original Message Name Identification is not valid. Example: pain.013.001.07 </p> <p>Permitted Codes</p> <p>pain.013.001.07 Creditor Payment Activation Request (Request for Payment) – V07</p>
<p>INDEX: 3.5</p> UblToApply +Undrlyg ++Initn +++OrgnlGrpInf ++++OrgnlCreDtTm	<p> Name: Original Creation Date Time ISO Description: Date and time at which the original message was created. Product Usage: Reference to the Creation Date and Time of the original Request for Payment (pain.013) message. XML Tag: <OrgnlCreDtTm> Occurrence: [1..1] Format: YYYY-MM-DDThh:mm:ss Length: 19 Reason Code(s): The RTP Network will reject with code '650' in Administration Advice message (admi.002) if not a valid date. Note(s): The date is required to be set to Eastern Time (ET). Example: 2017-11-12T10:05:00 </p>
<p>INDEX: 3.7</p> UblToApply +Undrlyg ++Initn +++OrgnlPmtInfId	<p> Name: Original Payment Information Identification ISO Description: Unique identification, as assigned by the original sending party, to unambiguously identify the original payment information group. Product Usage: The Payment Information Identification of the Request for Payment (pain.013) message for which this Request for Information message is being sent. XML Tag: <OrgnlPmtInfId> Occurrence: [1..1] Format: Expected format: YYYYMMDDbbbbbbbbbbBAAAAnnnnnnnnnnn Pos. 01-08 – File creation date in format YYYYMMDD Pos. 09-19 – Participant ID (11 characters) Pos. 20-20 – Message generation source (“B” if generated by a Participant) Pos. 21-24 – Discretionary bank field (4 digit alpha numeric that can be used to serialize, identify specific systems, etc.) Pos. 25-35 – Message serial number (11 numeric characters) </p>

Element	Details
	<p>Length: 35</p> <p>Note(s): The Payment Information ID from the pain.013 is assigned by the Creditor FI to uniquely identify the Request for Payment instruction within a pain.013. This value is carried forward in future messages related to the request (i.e. Credit Transfer, Request for Information, etc.).</p> <p>Example: 2017111202120020101BSRFP00000000013</p>
<p>INDEX: 3.9</p> <p>UblToApply +Undrlyg ++Initn +++OrgnlEndToEndId</p>	<p>Name: Original End To End Identification</p> <p>ISO Description: Unique identification, as assigned by the original initiating party, to unambiguously identify the original transaction.</p> <p>Product Usage: The End To End ID from the pain.013 instruction for which this message is being sent.</p> <p>XML Tag: <OrgnlEndToEndId></p> <p>Occurrence: [0..1]</p> <p>Length: 35</p> <p>Example: E2E-Ref001</p>
<p>INDEX: 3.10</p> <p>UblToApply +Undrlyg ++Initn +++OrgnlUETR</p>	<p>Name: Original UETR</p> <p>ISO Description: Universally unique identifier to provide the original end-to-end reference of a payment transaction.</p> <p>Product Usage: The UETR identifier is assigned by the instructing agent to link an RTP message to services or arrangements outside of the RTP network. If used, the same UETR should be passed on throughout the entire payment chain without being changed. The ability to include a UETR identifier in an RTP message does not mean that RTP messages can be used as part of a larger end-to-end transfer or as a cover payment. Readers should refer to the RTP Operating Rules to determine permissible uses of RTP messages.</p> <p>XML Tag: <OrgnlUETR></p> <p>Occurrence: [0..1]</p> <p>Length: 36</p> <p>RegEx: [a-f0-9]{8}-[a-f0-9]{4}-4[a-f0-9]{3}-[89ab][a-f0-9]{3}-[a-f0-9]{12}</p> <p>Example: eb6305c9-1f7f-49de-aed0-16487c27b42d</p>
<p>INDEX: 3.11</p> <p>UblToApply +Undrlyg ++Initn +++OrgnlInstdAmt</p>	<p>Name: Original Instructed Amount</p> <p>ISO Description: Amount of money, as provided in the original transaction, to be moved between the debtor and the creditor, before deduction of charges, expressed in the currency, as ordered by the original initiating party.</p> <p>Product Usage: The Original Instructed Amount from the original Request for Payment (pain.013) message.</p> <p>XML Tag: <OrgnlInstdAmt></p> <p>Occurrence: [1..1]</p> <p>Rule(s): The number of fractional digits (or minor unit of currency) must comply with ISO 4217. Note: The decimal separator is a dot.</p> <p>Reason Code(s): case for structural validation failure, the RTP Network will reject with code '650' in Administration Advice message</p>

Element	Details
	<p>(admi.002) if:</p> <ul style="list-style-type: none"> - The value of the payment amount is less than or equal to zero - The value of the payment is greater than supported by the ISO definition for the maximum number of digits (total 18 digit) - The currency code is not valid (i.e. not USD) - The number of decimal digits is greater than the specified number of digits as defined by the ISO4217 definition <p>Example: 520.15</p> <p>Frac Digits: 2</p> <p>Total Digits: 18</p>
INDEX: 3.12	<p>Name: Currency</p> <p>ISO Description: A code allocated to a currency by a Maintenance Agency under an international identification scheme, as described in the latest edition of the international standard ISO 4217 "Codes for the representation of currencies and funds".</p> <p>XML Tag: <Ccy></p> <p>RegEx: [A-Z]{3,3}</p> <p>Length: 3</p> <p>Rule(s): Currency must be a currency that is supported by RTP (US Dollar).</p> <p>Reason Code(s): The RTP Network will reject with code '650' in Administration Advice message (admi.002) if the currency code is not supported by RTP.</p> <p>Example: USD</p> <p>Permitted Codes</p> <p>USD US Dollar</p>
INDEX: 3.13 UblToApply +Undrlyg ++Initn +++ReqdExctnDt	<p>Name: Requested Execution Date</p> <p>ISO Description: Date at which the initiating party requests the clearing agent to process the payment. Usage: This is the date on which the debtor's account is to be debited. If payment by cheque, the date when the cheque must be generated by the bank.</p> <p>Product Usage: The Requested Execution Date from the original Request for Payment message. The sender of the RFI should include either the Date or Date Time field, whichever was passed in the initial request.</p> <p>XML Tag: <ReqdExctnDt></p> <p>Occurrence: [1..1]</p> <p>Note(s): If only Date is provided the time would be signified as 23:59:59.</p>
INDEX: 3.14 Choice: {Or	<p>Name: Date</p> <p>ISO Description: Specified date.</p>

Element	Details
UblToApply +Undrlyg ++Initn +++ReqdExctnDt ++++Dt	<p>Product Usage: Requested date from the original Request for Payment (pain.013) message.</p> <p>XML Tag: <Dt></p> <p>Occurrence: [1..1]</p> <p>Format: YYYY-MM-DD</p> <p>Length: 10</p> <p>Rule(s): Must be a valid processing date.</p> <p>Reason Code(s): The RTP Network will reject with code '650' in Administration Advice message (admi.002).</p> <p>Example: 2017-11-12</p>
INDEX: 3.15 Choice: Or} UblToApply +Undrlyg ++Initn +++ReqdExctnDt ++++DtTm	<p>Name: Date Time</p> <p>ISO Description: Specified date and time.</p> <p>Product Usage: Requested date and time from the original Request for Payment (pain.013) message.</p> <p>XML Tag: <DtTm></p> <p>Occurrence: [1..1]</p> <p>Format: YYYY-MM-DDThh:mm:ss</p> <p>Length: 19</p> <p>Rule(s): Must be a valid processing date.</p> <p>Reason Code(s): The RTP Network will reject with code '650' in Administration Advice message (admi.002).</p> <p>Example: 2017-11-12T16:00:00</p>
INDEX: 3.1835 Choice: Or} UblToApply +Undrlyg ++IntrBk	<p>Name: Interbank</p> <p>ISO Description: Set of elements used to reference the details of the original interbank payment transaction.</p> <p>XML Tag: <IntrBk></p> <p>Occurrence: [1..1]</p>
INDEX: 3.1836 UblToApply +Undrlyg ++IntrBk +++OrgnlGrpInf	<p>Name: Original Group Information</p> <p>ISO Description: Set of elements used to provide information on the original message.</p> <p>XML Tag: <OrgnlGrpInf></p> <p>Occurrence: [1..1]</p>
INDEX: 3.1837 UblToApply +Undrlyg ++IntrBk	<p>Name: Original Message Identification</p> <p>ISO Description: Point to point reference, as assigned by the original instructing party, to unambiguously identify the original message.</p> <p>Product Usage: Message identification from the original Credit Transfer (pacs.008) message that is being referenced.</p>

Element	Details
+++OrgnlGrpInf ++++OrgnlMsgId	<p>XML Tag: <OrgnlMsgId></p> <p>Occurrence: [1..1]</p> <p>Format: Expected format: MYYYYMMDDbbbbbbbbbbBAAAnnnnnnnnnn Pos. 01-01 – Prefix ‘M’ Pos. 02-09 - File creation date in format YYYYYMMDD Pos. 10-20 - Participant ID (11 characters) Pos. 21-21 - Message generation source (“B” if generated by a Participant) Pos. 22-24 - Discretionary bank field (3 digit alpha numeric that can be used to serialize, identify specific systems, etc.) Pos. 25-35 - Message serial number (11 numeric characters)</p> <p>Length: 35</p> <p>Note(s): This format is not validated by the system, it is an example format only</p> <p>Example: M2017111202120020101BTRF0000000011</p>
INDEX: 3.1838 UblToApply +Undrlyg ++IntrBk +++OrgnlGrpInf ++++OrgnlMsgNmId	<p>Name: Original Message Name Identification</p> <p>ISO Description: Specifies the original message name identifier to which the message refers.</p> <p>Product Usage: Specifies the type of the original message, to which this Request for Information message is being used.</p> <p>XML Tag: <OrgnlMsgNmId></p> <p>Occurrence: [1..1]</p> <p>Length: 35</p> <p>Rule(s): Expected value is pacs.008.001.08 or pacs.008.001.06 (for credit transfer)</p> <p>Reason Code(s): The RTP Network will reject with code ‘650’ in Administration Advice message (admi.002) if Original Message Name Identification is not valid.</p> <p>Example: pacs.008.001.08</p> <p>Permitted Codes</p> <p>pacs.008.001.06 Credit Transfer</p> <p>pacs.008.001.08 Credit Transfer - V08</p>
INDEX: 3.1839 UblToApply +Undrlyg ++IntrBk +++OrgnlGrpInf ++++OrgnlCreDtTm	<p>Name: Original Creation Date Time</p> <p>ISO Description: Date and time at which the original message was created.</p> <p>Product Usage: This Creation Date and Time from the original Credit Transfer (pacs.008) message.</p> <p>XML Tag: <OrgnlCreDtTm></p> <p>Occurrence: [1..1]</p> <p>Format: YYYY-MM-DDThh:mm:ss</p>

Element	Details
	<p>Length: 19</p> <p>Reason Code(s): The RTP Network will reject with code '650' in Administration Advice message (admi.002) if not a valid date.</p> <p>Note(s): The date is required to be set to Eastern Time (ET).</p> <p>Example: 2017-11-12T10:05:00</p>
<p>INDEX: 3.1841</p> <p>UblToApply +Undrlyg ++IntrBk +++OrgnlInstrId</p>	<p>Name: Original Instruction Identification</p> <p>ISO Description: Unique identification, as assigned by the original instructing party for the original instructed party, to unambiguously identify the original instruction.</p> <p>Product Usage: The Instruction Identification of the Credit Transfer (pacs.008) message for which this Request for Information message is being sent.</p> <p>XML Tag: <OrgnlInstrId></p> <p>Occurrence: [1..1]</p> <p>Format: Expected format: YYYYMMDDbbbbbbbbbbBAAAAnnnnnnnnn Pos. 01-08 - File creation date in format YYYYMMDD Pos. 09-19 - Participant ID (11 characters) Pos. 20-20 - Message generation source ("B" if generated by a Participant) Pos. 21-24 - Discretionary bank field (4 digit alpha numeric that can be used to serialize, identify specific systems, etc.) Pos. 25-35 - Message serial number (11 numeric characters)</p> <p>Length: 35</p> <p>Note(s): This is the Identification from the pacs.008 assigned by the Debtor FI to uniquely identify a single payment instruction within a pacs.008 throughout its existence within the system.</p> <p>Example: 2017111202120020101BSTRF00000000011</p>
<p>INDEX: 3.1842</p> <p>UblToApply +Undrlyg ++IntrBk +++OrgnlEndToEndId</p>	<p>Name: Original End To End Identification</p> <p>ISO Description: Unique identification, as assigned by the original initiating party, to unambiguously identify the original transaction.</p> <p>Product Usage: The End To End ID from the original Credit Transfer (pacs.008) for which this message is being sent.</p> <p>XML Tag: <OrgnlEndToEndId></p> <p>Occurrence: [0..1]</p> <p>Length: 35</p> <p>Example: E2E-Ref001</p>
<p>INDEX: 3.1843</p> <p>UblToApply +Undrlyg ++IntrBk</p>	<p>Name: Original Transaction Identification</p> <p>ISO Description: Unique identification, as assigned by the original first instructing agent, to unambiguously identify the transaction.</p> <p>Product Usage: The transaction identifier from the original Credit Transfer (pacs.008) message.</p> <p>XML Tag: <OrgnlTxId></p>

Element	Details
+++OrgnlTxld	<p>Occurrence: [1..1]</p> <p>Length: 35</p> <p>Note(s): If the Credit Transfer (pacs.008) message is based on a Request for Payment (pain.013), the original Payment Identification from the pain.013 must be populated in this field.</p> <p>Example: 2017111202120020101BSRFP00000000013</p>
<p>INDEX: 3.1844</p> <p>UblToApply +Undrlyg ++IntrBk +++OrgnlUETR</p>	<p>Name: Original UETR</p> <p>ISO Description: Universally unique identifier to provide the original end-to-end reference of a payment transaction.</p> <p>Product Usage: The UETR identifier is assigned by the instructing agent to link an RTP message to services or arrangements outside of the RTP network. If used, the same UETR should be passed on throughout the entire payment chain without being changed. The ability to include a UETR identifier in an RTP message does not mean that RTP messages can be used as part of a larger end-to-end transfer or as a cover payment. Readers should refer to the RTP Operating Rules to determine permissible uses of RTP messages.</p> <p>XML Tag: <OrgnlUETR></p> <p>Occurrence: [0..1]</p> <p>RegEx: [a-f0-9]{8}-[a-f0-9]{4}-4[a-f0-9]{3}-[89ab][a-f0-9]{3}-[a-f0-9]{12}</p> <p>Example: eb6305c9-1f7f-49de-aed0-16487c27b42d</p>
<p>INDEX: 3.1845</p> <p>UblToApply +Undrlyg ++IntrBk +++OrgnlIntrBkSttlmAmt</p>	<p>Name: Original Interbank Settlement Amount</p> <p>ISO Description: Amount of money moved between the instructing agent and the instructed agent, as provided in the original instruction.</p> <p>Product Usage: The Interbank Settlement Amount from the original Credit Transfer (pacs.008) message.</p> <p>XML Tag: <OrgnlIntrBkSttlmAmt></p> <p>Occurrence: [1..1]</p> <p>Rule(s): The number of fractional digits (or minor unit of currency) must comply with ISO 4217. Note: The decimal separator is a dot.</p> <p>Reason Code(s): In case for structural validation failure, the RTP Network will reject with code '650' in Administration Advice message (admi.002) if:</p> <ul style="list-style-type: none"> - The value of the payment amount is less than or equal to zero - The value of the payment is greater than supported by the ISO definition for the maximum number of digits (total 18 digit) - The currency code is not valid (i.e. not USD) - The number of decimal digits is greater than the specified number of digits as defined by the ISO4217 definition <p>Note(s): RTP is only supporting USD and the maximum decimal digits allowed are two.</p> <p>Example: 520.15</p> <p>Frac Digits: 2</p>

Element	Details
INDEX: 3.1846	<p>Total Digits: 18</p> <p>Name: Currency</p> <p>ISO Description: A code allocated to a currency by a Maintenance Agency under an international identification scheme, as described in the latest edition of the international standard ISO 4217 "Codes for the representation of currencies and funds".</p> <p>XML Tag: <Ccy></p> <p>RegEx: [A-Z]{3,3}</p> <p>Length: 3</p> <p>Rule(s): Currency must be a currency that is supported by RTP (US Dollar).</p> <p>Reason Code(s): The RTP Network will reject with code '650' in Administration Advice message (admi.002) if the currency code is not supported by RTP.</p> <p>Example: USD</p> <p>Permitted Codes</p> <p>USD US Dollar</p>
INDEX: 3.1847 UblToApply +Undrlyg ++IntrBk +++OrgnlIntrBkSttlmDt	<p>Name: Original Interbank Settlement Date</p> <p>ISO Description: Date, as provided in the original transaction, on which the amount of money ceases to be available to the agent that owes it and when the amount of money becomes available to the agent to which it is due.</p> <p>Product Usage: The original Reconciliation Window of the Credit Transfer (pacs.008) message, as assigned by RTP.</p> <p>XML Tag: <OrgnlIntrBkSttlmDt></p> <p>Occurrence: [1..1]</p> <p>Length: 10</p> <p>Example: 2017-11-12</p>
INDEX: 4.0 UblToApply +Justfn	<p>Name: Justification</p> <p>ISO Description: Explains the reason why the case creator is unable to apply the instruction.</p> <p>Product Usage: This element is being used to identify why the sender is requesting more information.</p> <p>XML Tag: <Justfn></p> <p>Occurrence: [1..1]</p>
INDEX: 4.2 UblToApply +Justfn ++MssngOrIncrctInf	<p>Name: Missing Or Incorrect Information</p> <p>ISO Description: Set of elements used to indicate which information is missing or incorrect.</p> <p>XML Tag: <MssngOrIncrctInf></p> <p>Occurrence: [1..1]</p> <p>Note(s): If the Request for Information message is being used to obtain information that was missing from the original message,</p>

Element	Details
	<p>then the element MissingInformation is used. If the Request for Information message is being used to obtain information that was incorrect in the original message, then the element IncorrectInformation is used.</p> <p>For both elements there is the option to provide up to 140 characters of additional detailed information with each occurrence.</p>
<p>INDEX: 4.4 UblToApply +Justfn ++MssngOrIncrctInf +++MssngInf</p>	<p>Name: Missing Information ISO Description: Indicates the missing information. XML Tag: <MssngInf> Occurrence: [0..10] Rule(s): If Code is equal to NARR (Narrative), then AdditionalMissingInformation must be present. If any other code is used, AdditionalMissingInformation is optional.</p>
<p>INDEX: 4.5 UblToApply +Justfn ++MssngOrIncrctInf +++MssngInf ++++Cd</p>	<p>Name: Code ISO Description: Specifies the missing information in a coded form. XML Tag: <Cd> Occurrence: [1..1] Length: 4 Example: MS01</p>
	<p>Permitted Codes</p> <p>MS01 MissingRemittanceInformation NARR Narrative</p>
<p>INDEX: 4.6 UblToApply +Justfn ++MssngOrIncrctInf +++MssngInf ++++AddtlMssngInf</p>	<p>Name: Additional Missing Information ISO Description: Further details about the missing information. Product Usage: This field is mandatory with the code NARR and being used to provide additional information. XML Tag: <AddtlMssngInf> Occurrence: [0..1] Length: 140 Example: Additional Information for Missing Information</p>
<p>INDEX: 4.7 UblToApply +Justfn ++MssngOrIncrctInf</p>	<p>Name: Incorrect Information ISO Description: Indicates, in a coded form, the incorrect information. XML Tag: <IncrctInf></p>

Element	Details
+++IncrctInf	<p>Occurrence: [0..10]</p> <p>Rule(s): If Code is equal to NARR (Narrative), then AdditionalIncorrectInformation must be present. If any other code is used, AdditinalIncorrectInformation is optional.</p>
<p>INDEX: 4.8</p> <p>UblToApply +Justfn ++MssngOrIncrctInf +++IncrctInf ++++Cd</p>	<p>Name: Code</p> <p>ISO Description: Specifies the missing information in a coded form.</p> <p>XML Tag: <Cd></p> <p>Occurrence: [1..1]</p> <p>Length: 4</p> <p>Example: IN01</p> <p>Permitted Codes</p> <ul style="list-style-type: none"> IN01 IncorrectRelatedReference IN04 IncorrectRequestedExecutionDate IN06 IncorrectInterbankSettlementAmount IN15 IncorrectRemittanceInformation IN19 IncorrectInstructionForCreditorAgent IN38 IncorrectDebtorAddress IN39 IncorrectCreditorAddress MM20 MismatchCreditorNameAccount MM21 MismatchDebtorNameAccount NARR Narrative
<p>INDEX: 4.9</p> <p>UblToApply +Justfn ++MssngOrIncrctInf +++IncrctInf ++++AddtlIncrctInf</p>	<p>Name: Additional Incorrect Information</p> <p>ISO Description: Further details about the incorrect information.</p> <p>Product Usage: This field is mandatory with the code NARR and being used to provide additional information.</p> <p>XML Tag: <AddtlIncrctInf></p> <p>Occurrence: [0..1]</p> <p>Length: 140</p> <p>Example: Additional Information for Inforrect Information</p>

11.2 Response to Request for Information – camt.028.001.09

11.2.1 Scope

The Response to the Request for Information (camt.028) message is sent either:

- by the Debtor to the Creditor (pacs.008),
- by the Creditor to the Debtor (pain.013),
- by the Debtor FI to the Creditor FI (pacs.008), or
- by the Creditor FI to the Debtor FI (pain.013).

The message is used by the sender to provide the requested additional information in the form of an amendment to the original Request for Payment or Credit Transfer using the structured elements, or directly in response to the original request using the unstructured remittance information field available in the camt.028 message.

If multiple codes were included in the original Request for Information message, multiple answers for these different codes may be provided in multiple occurrences of the Unstructured remittance information field by referencing the relevant code starting and ending with '/' followed by the relevant information (e.g. /MS01/).

XML Example with code /MS01/ and /IN01/:

```
<Inf>
  <RmtInf>
    <Ustrd>/MS01/remittance info was provided via email on 18/07/2018</Ustrd>
    <Ustrd>/IN01/4711_12_2018</Ustrd>
  </RmtInf>
</Inf>
```

Note: If the end-user or the Participant cannot provide additional information, a negative Response to Request for Information can be sent by including the value '/RJCT/' in the 'Remittance Information / Unstructured' field.

XML Example with code /RJCT/:

```
<Inf>
  <RmtInf>
    <Ustrd>/RJCT/Information not available</Ustrd>
  </RmtInf>
</Inf>
```

11.2.2 Message Structure Description

Index	XML Tag	Element Name	Occurr.	Length	M/O/C
	AddtlPmtInf	Additional Payment Information V09	[1..1]		M
1.0	Assgnmt	Assignment	[1..1]		M
1.1	Id	Identification	[1..1]	35	M
1.2	Assgnr	Assigner	[1..1]		M
1.65	Agt	Agent	[1..1]		M
1.66	FinInstnId	Financial Institution Identification	[1..1]		M
1.68	ClrSysMmbld	Clearing System Member Identification	[1..1]		M
1.72	Mmbld	Member Identification	[1..1]	9	M
1.129	Assgne	Assignee	[1..1]		M
1.192	Agt	Agent	[1..1]		M
1.193	FinInstnId	Financial Institution Identification	[1..1]		M
1.195	ClrSysMmbld	Clearing System Member Identification	[1..1]		M
1.199	Mmbld	Member Identification	[1..1]	9	M
1.256	CreDtTm	Creation Date Time	[1..1]	19	M
2.0	Case	Case	[1..1]		M
2.1	Id	Identification	[1..1]	35	M
2.2	Cretr	Creator	[1..1]		M
2.3	{Or} Pty	Party	[1..1]		C
2.4	Nm	Name	[1..1]	140	M
2.65	Or} Agt	Agent	[1..1]		C
2.66	FinInstnId	Financial Institution Identification	[1..1]		M
2.68	ClrSysMmbld	Clearing System Member Identification	[1..1]		M
2.72	Mmbld	Member Identification	[1..1]	9	M
3.0	Undrlyg	Underlying	[1..1]		M
3.1	{Or} Initn	Initiation	[1..1]		C
3.2	OrgnlGrpInf	Original Group Information	[1..1]		M
3.3	OrgnlMsgId	Original Message Identification	[1..1]	35	M
3.4	OrgnlMsgNmId	Original Message Name Identification	[1..1]	35	M
3.7	OrgnlPmtInfId	Original Payment Information Identification	[1..1]	35	M
3.9	OrgnlEndToEndId	Original End To End Identification	[0..1]	35	O
3.10	OrgnlUETR	Original UETR	[0..1]	36	O
3.11	OrgnlInstdAmt	Original Instructed Amount	[1..1]	18	M
3.12	Ccy	Currency	[required]	3	M
3.13	ReqdExctnDt	Requested Execution Date	[0..1]		M
3.14	{Or} Dt	Date	[1..1]	10	C
3.15	Or} DtTm	Date Time	[1..1]	19	C
3.1835	Or} IntrBk	Interbank	[1..1]		C
3.1836	OrgnlGrpInf	Original Group Information	[1..1]		M
3.1837	OrgnlMsgId	Original Message Identification	[1..1]	35	M
3.1838	OrgnlMsgNmId	Original Message Name Identification	[1..1]	35	M
3.1841	OrgnlInstrId	Original Instruction Identification	[1..1]	35	M
3.1842	OrgnlEndToEndId	Original End To End Identification	[0..1]	35	O
3.1843	OrgnlTxId	Original Transaction Identification	[1..1]	35	M
3.1844	OrgnlUETR	Original UETR	[0..1]		O
3.1845	OrgnlIntrBkSttlmAmt	Original Interbank Settlement Amount	[1..1]	18	M
3.1846	Ccy	Currency	[required]	3	M
3.1847	OrgnlIntrBkSttlmDt	Original Interbank Settlement Date	[1..1]	10	M

Index	XML Tag	Element Name	Occurr.	Length	M/O/C
4.0	Inf	Information	[1..1]		M
4.1	InstrId	Instruction Identification	[0..1]	35	O
4.2	EndToEndId	End To End Identification	[0..1]	35	O
4.3	Txid	Transaction Identification	[0..1]	35	O
4.32	UltmtDbtr	Ultimate Debtor	[0..1]		O
4.33	Nm	Name	[0..1]	140	O
4.34	PstlAdr	Postal Address	[0..1]		O
4.43	StrtNm	Street Name	[1..1]	70	M
4.44	BldgNb	Building Number	[0..1]	16	O
4.49	PstCd	Post Code	[1..1]	16	M
4.50	TwnNm	Town Name	[1..1]	35	M
4.53	CtrySubDvsn	Country Sub Division	[1..1]	35	M
4.54	Ctry	Country	[1..1]	2	M
4.55	AdrLine	Address Line	[0..1]	70	O
4.56	Id	Identification	[0..1]		C
4.57	{Or	OrgId	Organisation Identification	[1..1]	C
4.59	LEI	LEI	[0..1]	20	C
4.60	Othr	Other	[0..5]		O
4.61	Id	Identification	[1..1]	35	M
4.62	SchmeNm	Scheme Name	[0..1]		O
4.64	Prtry	Proprietary	[1..1]	35	M
4.66	Or}	PrvtId	Private Identification	[1..1]	C
4.67	DtAndPlcOfBirth	Date And Place Of Birth	[0..1]		O
4.68	BirthDt	Birth Date	[1..1]	10	M
4.70	CityOfBirth	City Of Birth	[1..1]	35	M
4.71	CtryOfBirth	Country Of Birth	[1..1]	2	M
4.72	Othr	Other	[0..5]		O
4.73	Id	Identification	[1..1]	35	M
4.74	SchmeNm	Scheme Name	[0..1]		O
4.76	Prtry	Proprietary	[1..1]	35	M
4.94	Dbtr	Debtor	[0..1]		O
4.95	Nm	Name	[0..1]	140	O
4.96	PstlAdr	Postal Address	[0..1]		O
4.105	StrtNm	Street Name	[1..1]	70	M
4.106	BldgNb	Building Number	[0..1]	16	O
4.111	PstCd	Post Code	[1..1]	16	M
4.112	TwnNm	Town Name	[1..1]	35	M
4.115	CtrySubDvsn	Country Sub Division	[1..1]	35	M
4.116	Ctry	Country	[1..1]	2	M
4.117	AdrLine	Address Line	[0..1]	70	O
4.118	Id	Identification	[0..1]		C
4.119	{Or	OrgId	Organisation Identification	[1..1]	C
4.121	LEI	LEI	[1..1]	20	M
4.128	Or}	PrvtId	Private Identification	[1..1]	C
4.129	DtAndPlcOfBirth	Date And Place Of Birth	[1..1]		M
4.130	BirthDt	Birth Date	[1..1]	10	M

Index	XML Tag	Element Name	Occurr.	Length	M/O/C
4.132	CityOfBirth	City Of Birth	[1..1]	35	M
4.133	CtryOfBirth	Country Of Birth	[1..1]	2	M
4.863	Cdtr	Creditor	[0..1]		O
4.864	Nm	Name	[0..1]	140	O
4.865	PstlAdr	Postal Address	[0..1]		O
4.874	StrtNm	Street Name	[1..1]	70	M
4.875	BldgNb	Building Number	[0..1]	16	O
4.880	PstCd	Post Code	[1..1]	16	M
4.881	TwNnm	Town Name	[1..1]	35	M
4.884	CtrySubDvsn	Country Sub Division	[1..1]	35	M
4.885	Ctry	Country	[1..1]	2	M
4.886	AdrLine	Address Line	[0..1]	70	O
4.887	Id	Identification	[0..1]		C
4.888	{Or	OrgId	Organisation Identification	[1..1]	C
4.890	LEI	LEI	[1..1]	20	M
4.897	Or}	PrvtId	Private Identification	[1..1]	C
4.898	DtAndPlcOfBirth	Date And Place Of Birth	[1..1]		M
4.899	BirthDt	Birth Date	[1..1]	10	M
4.901	CityOfBirth	City Of Birth	[1..1]	35	M
4.902	CtryOfBirth	Country Of Birth	[1..1]	2	M
4.910	CtctDtls	Contact Details	[0..1]		O
4.913	PhneNb	Phone Number	[0..1]	35	O
4.944	UltmtCdtr	Ultimate Creditor	[0..1]		O
4.945	Nm	Name	[0..1]	140	O
4.946	PstlAdr	Postal Address	[0..1]		O
4.955	StrtNm	Street Name	[1..1]	70	M
4.956	BldgNb	Building Number	[0..1]	16	O
4.961	PstCd	Post Code	[1..1]	16	M
4.962	TwNnm	Town Name	[1..1]	35	M
4.965	CtrySubDvsn	Country Sub Division	[1..1]	35	M
4.966	Ctry	Country	[1..1]	2	M
4.967	AdrLine	Address Line	[0..1]	70	O
4.968	Id	Identification	[0..1]		C
4.969	{Or	OrgId	Organisation Identification	[1..1]	C
4.971	LEI	LEI	[0..1]	20	C
4.972	Othr	Other	[0..5]		O
4.973	Id	Identification	[1..1]	35	M
4.974	SchmeNm	Scheme Name	[0..1]		O
4.976	Prtry	Proprietary	[1..1]	35	M
4.978	Or}	PrvtId	Private Identification	[1..1]	C
4.979	DtAndPlcOfBirth	Date And Place Of Birth	[0..1]		O
4.980	BirthDt	Birth Date	[1..1]	10	M
4.982	CityOfBirth	City Of Birth	[1..1]	35	M
4.983	CtryOfBirth	Country Of Birth	[1..1]	2	M
4.984	Othr	Other	[0..5]		O
4.985	Id	Identification	[1..1]	35	M

Index	XML Tag	Element Name	Occurr.	Length	M/O/C
4.986	SchmeNm	Scheme Name	[0..1]		O
4.988	Prtry	Proprietary	[1..1]	35	M
4.1265	RmtInf	Remittance Information	[0..1]		C
4.1266	Ustrd	Unstructured	[0..20]	140	O
4.1267	Strd	Structured	[0..1]		O
4.1311	RfrdDocAmt	Referred Document Amount	[0..1]		O
4.1314	DscntApldAmt	Discount Applied Amount	[0..3]		O
4.1315	Tp	Type	[1..1]		M
4.1317	Prtry	Proprietary	[1..1]	4	M
4.1318	Amt	Amount	[1..1]	18	M
4.1319	Ccy	Currency	[required]	3	M

11.2.3 Detail Message Field Description

Element	Details
AddtlPmtInf	<p>Name: Additional Payment Information V09</p> <p>ISO Description: The Additional Payment Information message is sent by an account servicing institution to an account owner. This message is used to provide additional or corrected information on a payment instruction or statement entry, in order to allow reconciliation.</p> <p>Product Usage: This message is only sent in response to a Request for Information message (camt.026).</p> <p>XML Tag: <AddtlPmtInf></p> <p>Occurrence: [1..1]</p>
INDEX: 1.0 AddtlPmtInf +Assgnmt	<p>Name: Assignment</p> <p>ISO Description: Represents the assignment of a case to a party.</p> <p>XML Tag: <Assgnmt></p> <p>Occurrence: [1..1]</p>
INDEX: 1.1 AddtlPmtInf +Assgnmt ++Id	<p>Name: Identification</p> <p>ISO Description: Uniquely identifies the case assignment.</p> <p>Product Usage: Assigned by sender of the message to uniquely identify the Response to the Request for Information message. The uniqueness of a Response to Request for Information is determined by the Assignment Identification and is based on the format below. RTP will use the Assignment ID to perform a check for a duplicate transaction within the duplicate checking period.</p> <p>XML Tag: <Id></p> <p>Occurrence: [1..1]</p> <p>Format: Expected Format: MYYYYMMDDbbbbbbbbbbBAAAnnnnnnnnnnn Pos. 01-01 – Prefix ‘M’ Pos. 02-09 - File creation date in format YYYYMMDD Pos. 10-20 - Participant ID (11 characters) Pos. 21-21 - Message generation source (“B” if generated by a Participant) Pos. 22-24 - Discretionary bank field (3 digit alpha numeric that can be used to serialize, identify specific systems, etc.) Pos. 25-35 - Message serial number (11 numeric characters)</p> <p>RegEx: M[0-9]{4}(((01 03 05 07 08 10 12)((0[1-9]) ([1-2][0-9]) (3[0-1]))) ((04 06 09 11)((0[1-9]) ([1-2][0-9]) 30)) ((02)((0[1-9]) ([1-2][0-9])))))[A-Z0-9]{11}.*</p> <p>Length: 35</p> <p>Rule(s): The first 20 characters of Message Identification (positions 01-20) are validated for structural alignment in accordance with the format specification. Business validations for the Assignment Identification include: - Embedded date (positions 02-09) must be within 1 calendar day of the system</p>

Element	Details
	<p>- Embedded Participant ID (positions 10-20) must be owned by the Instructing Agent.</p> <p>Reason Code(s): Reject with Message Status Report (pacs.002) if:</p> <ul style="list-style-type: none"> - Assignment Identification matches a previously completed transaction (DUPL); - Embedded date is not within 1 calendar day of the system date (DT04) - Participant ID is not owned by the Instructing Agent (DS0H) <p>In case for structural validation failure, the RTP Network will reject with code '650' in Administration Advice message (admi.002).</p> <p>Example: M2017111212345678901BRFI00000000001</p>
<p>INDEX: 1.2 AddtlPmtInf +Assgnmt ++Assgnr</p>	<p>Name: Assigner</p> <p>ISO Description: Party who assigns the case. Usage: This is also the sender of the message.</p> <p>Product Usage: Sender of the message (same FI member ID as provided in Assignee of the original Request for Information (camt.026) message).</p> <p>XML Tag: <Assgnr></p> <p>Occurrence: [1..1]</p>
<p>INDEX: 1.65 AddtlPmtInf +Assgnmt ++Assgnr +++Agt</p>	<p>Name: Agent</p> <p>ISO Description: Identification of a financial institution.</p> <p>XML Tag: <Agt></p> <p>Occurrence: [1..1]</p>
<p>INDEX: 1.66 AddtlPmtInf +Assgnmt ++Assgnr +++Agt ++++FinInstnId</p>	<p>Name: Financial Institution Identification</p> <p>ISO Description: Unique and unambiguous identification of a financial institution, as assigned under an internationally recognised or proprietary identification scheme.</p> <p>XML Tag: <FinInstnId></p> <p>Occurrence: [1..1]</p>
<p>INDEX: 1.68 AddtlPmtInf +Assgnmt ++Assgnr +++Agt ++++FinInstnId ++++ClrSysMmbld</p>	<p>Name: Clearing System Member Identification</p> <p>ISO Description: Information used to identify a member within a clearing system.</p> <p>XML Tag: <ClrSysMmbld></p> <p>Occurrence: [1..1]</p>

Element	Details
INDEX: 1.172 AddtlPmtInf +Assgnmt ++Assgnr +++Agt ++++FinInstnId +++++ClrSysMmbld +++++Mmbld	<p>Name: Member Identification</p> <p>ISO Description: Identification of a member of a clearing system.</p> <p>Product Usage: The 9 character Routing and Transit Number of the Participant sending this Response to RFI.</p> <p>XML Tag: <Mmbld></p> <p>Occurrence: [1..1]</p> <p>Format: 9 character Routing and Transit Number (alphabetic characters may be present)</p> <p>Length: 9</p> <p>Rule(s): Member Identification must be a valid 9 character Routing and Transit Number.</p> <p>Reason Code(s): The RTP Network will reject with code '650' in Administration Advice message (admi.002) if Routing and Transit number does not exist in RTP.</p> <p>Reject with Message Status Report (pacs.002) if:</p> <ul style="list-style-type: none"> - Sender is not authorized to send this business message (reason code 'AG03') - Agent is signed off (reason code '9934') - Agent is suspended (reason code '9946') - The sender of the message is not authorized to submit message on behalf of this agent (reason code 'DS0H') <p>Note(s): The system validates that the participant indicated in the Assignment ID (positions 10-20) owns the Routing and Transit Number contained within this field.</p> <p>Example: 131000000</p>
INDEX: 1.129 AddtlPmtInf +Assgnmt ++Assgne	<p>Name: Assignee</p> <p>ISO Description: Party to which the case is assigned. Usage: This is also the receiver of the message.</p> <p>Product Usage: Identifier of the Participant that originated the Request for Information message (same FI as provided in Assigner of the Request for Information (camt.026) message).</p> <p>XML Tag: <Assgne></p> <p>Occurrence: [1..1]</p>
INDEX: 1.192 AddtlPmtInf +Assgnmt ++Assgne +++Agt	<p>Name: Agent</p> <p>ISO Description: Identification of a financial institution.</p> <p>XML Tag: <Agt></p> <p>Occurrence: [1..1]</p>
INDEX: 1.193 AddtlPmtInf	<p>Name: Financial Institution Identification</p> <p>ISO Description: Unique and unambiguous identification of a financial institution, as assigned under an internationally recognised or</p>

Element	Details
+Assgnmt ++Assgne +++Agt ++++FinInstnId	proprietary identification scheme. XML Tag: <FinInstnId> Occurrence: [1..1]
INDEX: 1.195 AddtlPmtInf +Assgnmt ++Assgne +++Agt ++++FinInstnId +++++ClrSysMmbld	Name: Clearing System Member Identification ISO Description: Information used to identify a member within a clearing system. XML Tag: <ClrSysMmbld> Occurrence: [1..1]
INDEX: 1.199 AddtlPmtInf +Assgnmt ++Assgne +++Agt ++++FinInstnId +++++ClrSysMmbld +++++Mmbld	Name: Member Identification ISO Description: Identification of a member of a clearing system. Product Usage: The 9 character Routing and Transit Number of the Original Assigner from the Request for Information message. XML Tag: <Mmbld> Occurrence: [1..1] Format: 9 character Routing and Transit Number (alphabetic characters may be present) Length: 9 Rule(s): Member Identification must be a valid 9 character Routing and Transit Number. Reason Code(s): Reject with Message Status Report (pacs.002) if : - Routing and Transit number is not supported in RTP (reason code 'RC03') - Routing and Transit number is not authorized to receive this business message (reason code 'AG03') - agent is signed off (reason code '9910') - agent is suspended (reason code '9947') - receiver connection is not available (reason code '9912') Example: 021200201
INDEX: 1.256 AddtlPmtInf +Assgnmt ++CreDtTm	Name: Creation Date Time ISO Description: Date and time at which the assignment was created. Product Usage: The date and time the camt.028 was created. XML Tag: <CreDtTm> Occurrence: [1..1] Format: YYYY-MM-DDThh:mm:ss Length: 19

Element	Details
	<p>Rule(s): Creation Date Time must be within 1 calendar day of the system's date/time.</p> <p>Reason Code(s): Reject with code 'DT04' in pacs.002 for failing validation.</p> <p>Note(s): The date is required to be set to Eastern Time (ET).</p> <p>Example: 2017-11-12T10:09:33</p>
<p>INDEX: 2.0 AddtlPmtInf +Case</p>	<p>Name: Case</p> <p>ISO Description: Provides further details to identify an investigation case.</p> <p>XML Tag: <Case></p> <p>Occurrence: [1..1]</p>
<p>INDEX: 2.1 AddtlPmtInf +Case ++Id</p>	<p>Name: Identification</p> <p>ISO Description: Uniquely identifies the case.</p> <p>Product Usage: The original Case Identification used in the Request for Information Message (Equals the Assignment ID of the original camt.026 message).</p> <p>XML Tag: <Id></p> <p>Occurrence: [1..1]</p> <p>Length: 35</p> <p>Note(s): This is to identify the original message</p> <p>Example: M2017111202120020101BRFI0000000001</p>
<p>INDEX: 2.2 AddtlPmtInf +Case ++Cretr</p>	<p>Name: Creator</p> <p>ISO Description: Party that created the investigation case.</p> <p>Product Usage: Information provided in the original Request for Information (camt.026) message (either the end-user in Party / Name or the RTP Participant in Agent / ... / Member ID).</p> <p>XML Tag: <Cretr></p> <p>Occurrence: [1..1]</p> <p>Rule(s): Either element Party / Name or Agent / Financial Institution Identification is allowed.</p> <p>Note(s): Information provided in the original Request for Information (camt.026) message are copied into these elements.</p>
<p>INDEX: 2.3 Choice: {Or AddtlPmtInf +Case ++Cretr +++Pty</p>	<p>Name: Party</p> <p>ISO Description: Identification of a person or an organisation.</p> <p>Product Usage: Original Party information as provided in the original Request for Information (camt.026) message.</p> <p>XML Tag: <Pty></p> <p>Occurrence: [1..1]</p>

Element	Details
INDEX: 2.4 AddtlPmtInf +Case ++Cretr +++Pty ++++Nm	Name: Name ISO Description: Name by which a party is known and which is usually used to identify that party. Product Usage: Used in end-user initiated scenarios to provide the name of the sender of the original Request for Information (camt.026) message. XML Tag: <Nm> Occurrence: [1..1] Length: 140 Example: Creator Name
INDEX: 2.65 Choice: Or} AddtlPmtInf +Case ++Cretr +++Agt	Name: Agent ISO Description: Identification of a financial institution. Product Usage: Original Agent information as provided in the original Request for Information (camt.026) message. XML Tag: <Agt> Occurrence: [1..1]
INDEX: 2.66 AddtlPmtInf +Case ++Cretr +++Agt ++++FinInstnId	Name: Financial Institution Identification ISO Description: Unique and unambiguous identification of a financial institution, as assigned under an internationally recognised or proprietary identification scheme. XML Tag: <FinInstnId> Occurrence: [1..1]
INDEX: 2.68 AddtlPmtInf +Case ++Cretr +++Agt ++++FinInstnId +++++ClrSysMmbld	Name: Clearing System Member Identification ISO Description: Information used to identify a member within a clearing system. XML Tag: <ClrSysMmbld> Occurrence: [1..1]
INDEX: 2.72 AddtlPmtInf +Case ++Cretr +++Agt ++++FinInstnId +++++ClrSysMmbld	Name: Member Identification ISO Description: Identification of a member of a clearing system. Product Usage: Used in RTP Participant initiated scenarios to provide the 9 character Routing and Transit number of the RTP Participant provided from the original Request for Information (camt.026) message. XML Tag: <Mmbld> Occurrence: [1..1]

Element	Details
+++++Mmblid	<p>Length: 9</p> <p>Example: 021200201</p>
INDEX: 3.0 AddtlPmtInf +Undrlyg	<p>Name: Underlying</p> <p>ISO Description: Provides details of the underlying transaction, on which the investigation is processed.</p> <p>Product Usage: Information about the underlying message for which this Response to the Request for Information is created. If the RFI is linked to a Request for Payment (pain.013) the element Initiation is used. If the RFI is linked to a Credit Transfer (pacs.008), the Interbank element is used.</p> <p>XML Tag: <Undrlyg></p> <p>Occurrence: [1..1]</p>
INDEX: 3.1 Choice: {Or AddtlPmtInf +Undrlyg ++Initn	<p>Name: Initiation</p> <p>ISO Description: Set of elements used to reference the details of the original payment initiation.</p> <p>Product Usage: All the information included in the original Request for Information's 'Initiation' fields are copied into these fields.</p> <p>XML Tag: <Initn></p> <p>Occurrence: [1..1]</p>
INDEX: 3.2 AddtlPmtInf +Undrlyg ++Initn +++OrgnlGrpInf	<p>Name: Original Group Information</p> <p>ISO Description: Set of elements used to provide information on the original message.</p> <p>XML Tag: <OrgnlGrpInf></p> <p>Occurrence: [1..1]</p>
INDEX: 3.3 AddtlPmtInf +Undrlyg ++Initn +++OrgnlGrpInf ++++OrgnlMsgId	<p>Name: Original Message Identification</p> <p>ISO Description: Point to point reference, as assigned by the original instructing party, to unambiguously identify the original message.</p> <p>Product Usage: Message identification from the original Request for Payment (pain.013) message.</p> <p>XML Tag: <OrgnlMsgId></p> <p>Occurrence: [1..1]</p> <p>Length: 35</p> <p>Example: M2017111202120020101BRFP00000000013</p>
INDEX: 3.4 AddtlPmtInf +Undrlyg ++Initn +++OrgnlGrpInf ++++OrgnlMsgNmId	<p>Name: Original Message Name Identification</p> <p>ISO Description: Specifies the original message name identifier to which the message refers.</p> <p>Product Usage: Specifies the type of the original message (pain.013), to which this Response for the Request for Information message is being used.</p> <p>XML Tag: <OrgnlMsgNmId></p>

Element	Details
	<p>Occurrence: [1..1] Length: 35 Rule(s): Expected value is pain.013.001.07 (for Request for Payment). Reason Code(s): The RTP Network will reject with code '650' in Administration Advice message (admi.002) if Original Message Name Identification is not valid. Example: pain.013.001.07</p> <p>Permitted Codes</p> <p>pain.013.001.07 Creditor Payment Activation Request (Request for Payment) - V07</p>
<p>INDEX: 3.7 AddtlPmtInf +Undrlyg ++Initn +++OrgnlPmtInflId</p>	<p>Name: Original Payment Information Identification ISO Description: Unique identification, as assigned by the original sending party, to unambiguously identify the original payment information group. Product Usage: The Payment Information Identification of the original pain.013. XML Tag: <OrgnlPmtInflId> Occurrence: [1..1] Length: 35 Example: 2017111202120020101BSRFP00000000013</p>
<p>INDEX: 3.9 AddtlPmtInf +Undrlyg ++Initn +++OrgnlEndToEndId</p>	<p>Name: Original End To End Identification ISO Description: Unique identification, as assigned by the original initiating party, to unambiguously identify the original transaction. Product Usage: The End To End ID from the original instruction in the pain.013. XML Tag: <OrgnlEndToEndId> Occurrence: [0..1] Length: 35 Example: E2E-Ref001</p>
<p>INDEX: 3.10 AddtlPmtInf +Undrlyg ++Initn +++OrgnlUETR</p>	<p>Name: Original UETR ISO Description: Universally unique identifier to provide the original end-to-end reference of a payment transaction. Product Usage: The UETR identifier is assigned by the instructing agent to link an RTP message to services or arrangements outside of the RTP network. If used, the same UETR should be passed on throughout the entire payment chain without being changed. The ability to include a UETR identifier in an RTP message does not mean that RTP messages can be used as part of a larger end-to-end transfer or as a cover payment. Readers should refer to the RTP Operating Rules to determine permissible uses of RTP messages. XML Tag: <OrgnlUETR></p>

Element	Details
	<p>Occurrence: [0..1]</p> <p>RegEx: [a-f0-9]{8}-[a-f0-9]{4}-4[a-f0-9]{3}-[89ab][a-f0-9]{3}-[a-f0-9]{12}</p> <p>Example: eb6305c9-1f7f-49de-aed0-16487c27b42d</p>
<p>INDEX: 3.11</p> <p>AddtlPmtInf +Undrlyg ++Initn +++OrgnlInstdAmt</p>	<p>Name: Original Instructed Amount</p> <p>ISO Description: Amount of money, as provided in the original transaction, to be moved between the debtor and the creditor, before deduction of charges, expressed in the currency, as ordered by the original initiating party.</p> <p>Product Usage: The Instructed Amount from the original Request for Payment. Attribute is the currency code of amount.</p> <p>XML Tag: <OrgnlInstdAmt></p> <p>Occurrence: [1..1]</p> <p>Rule(s): The number of fractional digits (or minor unit of currency) must comply with ISO 4217. Note: The decimal separator is a dot.</p> <p>Note(s): RTP only supports USD and the maximum decimal digits are two.</p> <p>Example: 310.5</p> <p>Frac Digits: 2</p> <p>Total Digits: 18</p>
<p>INDEX: 3.12</p>	<p>Name: Currency</p> <p>ISO Description: A code allocated to a currency by a Maintenance Agency under an international identification scheme, as described in the latest edition of the international standard ISO 4217 "Codes for the representation of currencies and funds".</p> <p>XML Tag: <Ccy></p> <p>RegEx: [A-Z]{3,3}</p> <p>Length: 3</p> <p>Rule(s): Currency must be a currency that is supported by RTP (US Dollar).</p> <p>Reason Code(s): The RTP Network will reject with code '650' in Administration Advice message (admi.002) if the currency code is not supported by RTP.</p> <p>Example: USD</p>
	<p>Permitted Codes</p> <p>USD US Dollar</p>
<p>INDEX: 3.13</p> <p>AddtlPmtInf +Undrlyg ++Initn</p>	<p>Name: Requested Execution Date</p> <p>ISO Description: Date at which the initiating party requests the clearing agent to process the payment. Usage: This is the date on which the debtor's account is to be debited. If payment by cheque, the date when the cheque</p>

Element	Details
+++ReqdExctnDt	<p>must be generated by the bank.</p> <p>Product Usage: Requested Execution Date from the original Request for Payment (pain.013). Either Date or Date and Time must be provided.</p> <p>XML Tag: <ReqdExctnDt></p> <p>Occurrence: [0..1]</p> <p>Note(s): If only Date is provided the time would be signified as 23:59:59.</p>
INDEX: 3.14 Choice: {Or AddtlPmtInf +Undrlyg ++Initn +++ReqdExctnDt ++++Dt	<p>Name: Date</p> <p>ISO Description: Specified date.</p> <p>Product Usage: The original Execution Date of the Request for Payment (pain.013) message.</p> <p>XML Tag: <Dt></p> <p>Occurrence: [1..1]</p> <p>Format: YYYY-MM-DD</p> <p>Length: 10</p> <p>Example: 2017-11-12</p>
INDEX: 3.15 Choice: Or} AddtlPmtInf +Undrlyg ++Initn +++ReqdExctnDt ++++DtTm	<p>Name: Date Time</p> <p>ISO Description: Specified date and time.</p> <p>Product Usage: The original Execution Date and Time of the Request for Payment (pain.013) message.</p> <p>XML Tag: <DtTm></p> <p>Occurrence: [1..1]</p> <p>Format: YYYY-MM-DDThh:mm:ss</p> <p>Length: 19</p> <p>Example: 2017-11-12T16:00:00</p>
INDEX: 3.1835 Choice: Or} AddtlPmtInf +Undrlyg ++IntrBk	<p>Name: Interbank</p> <p>ISO Description: Set of elements used to reference the details of the original interbank payment transaction.</p> <p>Product Usage: All reference information for a Credit Transfer (pacs.008) included in the original Request for Information (camt.026) message are copied into the Interbank elements.</p> <p>XML Tag: <IntrBk></p> <p>Occurrence: [1..1]</p>
INDEX: 3.1836 AddtlPmtInf +Undrlyg	<p>Name: Original Group Information</p> <p>ISO Description: Set of elements used to provide information on the original message.</p>

Element	Details
++IntrBk +++OrgnlGrpInf	XML Tag: <OrgnlGrpInf> Occurrence: [1..1]
INDEX: 3.1837 AddtlPmtInf +Undrlyg ++IntrBk +++OrgnlGrpInf ++++OrgnlMsgId	Name: Original Message Identification ISO Description: Point to point reference, as assigned by the original instructing party, to unambiguously identify the original message. Product Usage: Message identification from the original Credit Transfer (pacs.008) message. XML Tag: <OrgnlMsgId> Occurrence: [1..1] Length: 35 Example: M2017111202120020101BTRF00000000011
INDEX: 3.1838 AddtlPmtInf +Undrlyg ++IntrBk +++OrgnlGrpInf ++++OrgnlMsgNmId	Name: Original Message Name Identification ISO Description: Specifies the original message name identifier to which the message refers. Product Usage: Specifies the type of the original message (pacs.008), to which this Response for the Request for Information message is being used. XML Tag: <OrgnlMsgNmId> Occurrence: [1..1] Length: 35 Rule(s): Expected value is pacs.008.001.08 (for credit transfer). Reason Code(s): The RTP Network will reject with code '650' in Administration Advice message (admi.002) if Original Message Name Identification is not valid. Example: pacs.008.001.08
Permitted Codes	
	pacs.008.001.06 Credit Transfer pacs.008.001.08 Credit Transfer - V08
INDEX: 3.1841 AddtlPmtInf +Undrlyg ++IntrBk +++OrgnlInstrId	Name: Original Instruction Identification ISO Description: Unique identification, as assigned by the original instructing party for the original instructed party, to unambiguously identify the original instruction. Product Usage: The Instruction Identification of the original pacs.008. XML Tag: <OrgnlInstrId> Occurrence: [1..1] Length: 35

Element	Details
INDEX: 3.1842 AddtlPmtInf +Undrlyg ++IntrBk +++OrgnlEndToEndId	<p>Example: 2017111202120020101BSTRF00000000011</p> <p>Name: Original End To End Identification</p> <p>ISO Description: Unique identification, as assigned by the original initiating party, to unambiguously identify the original transaction.</p> <p>Product Usage: The End To End ID from the original instruction in the pacs.008.</p> <p>XML Tag: <OrgnlEndToEndId></p> <p>Occurrence: [0..1]</p> <p>Length: 35</p> <p>Example: E2E-Ref001</p>
INDEX: 3.1843 AddtlPmtInf +Undrlyg ++IntrBk +++OrgnlTxld	<p>Name: Original Transaction Identification</p> <p>ISO Description: Unique identification, as assigned by the original first instructing agent, to unambiguously identify the transaction.</p> <p>Product Usage: The transaction identifier from the original Credit Transfer (pacs.008) message.</p> <p>XML Tag: <OrgnlTxld></p> <p>Occurrence: [1..1]</p> <p>Length: 35</p> <p>Example: 2017111202120020101BSRFP00000000013</p>
INDEX: 3.1844 AddtlPmtInf +Undrlyg ++IntrBk +++OrgnlUETR	<p>Name: Original UETR</p> <p>ISO Description: Universally unique identifier to provide the original end-to-end reference of a payment transaction.</p> <p>Product Usage: The UETR identifier is assigned by the instructing agent to link an RTP message to services or arrangements outside of the RTP network. If used, the same UETR should be passed on throughout the entire payment chain without being changed. The ability to include a UETR identifier in an RTP message does not mean that RTP messages can be used as part of a larger end-to-end transfer or as a cover payment. Readers should refer to the RTP Operating Rules to determine permissible uses of RTP messages.</p> <p>XML Tag: <OrgnlUETR></p> <p>Occurrence: [0..1]</p> <p>RegEx: [a-f0-9]{8}-[a-f0-9]{4}-4[a-f0-9]{3}-[89ab][a-f0-9]{3}-[a-f0-9]{12}</p> <p>Example: eb6305c9-1f7f-49de-aed0-16487c27b42d</p>
INDEX: 3.1845 AddtlPmtInf +Undrlyg ++IntrBk +++OrgnlIntrBkSttlmAmt	<p>Name: Original Interbank Settlement Amount</p> <p>ISO Description: Amount of money moved between the instructing agent and the instructed agent, as provided in the original instruction.</p> <p>Product Usage: The Interbank Settlement Amount from the original Credit Transfer (pacs.008) message.</p> <p>XML Tag: <OrgnlIntrBkSttlmAmt></p> <p>Occurrence: [1..1]</p>

Element	Details
	<p>Rule(s): The number of fractional digits (or minor unit of currency) must comply with ISO 4217. Note: The decimal separator is a dot.</p> <p>Example: 520.15</p> <p>Frac Digits: 2</p> <p>Total Digits: 18</p>
<p>INDEX: 3.1846</p>	<p>Name: Currency</p> <p>ISO Description: A code allocated to a currency by a Maintenance Agency under an international identification scheme, as described in the latest edition of the international standard ISO 4217 "Codes for the representation of currencies and funds".</p> <p>XML Tag: <Ccy></p> <p>RegEx: [A-Z]{3}</p> <p>Length: 3</p> <p>Rule(s): Currency must be a currency that is supported by RTP (US Dollar).</p> <p>Reason Code(s): The RTP Network will reject with code '650' in Administration Advice message (admi.002) if the currency code is not supported by RTP.</p> <p>Example: USD</p> <p>Permitted Codes</p> <p>USD US Dollar</p>
<p>INDEX: 3.1847</p> <p>AddtlPmtInf +Undrlyg ++IntrBk +++OrgnlIntrBkSttlmDt</p>	<p>Name: Original Interbank Settlement Date</p> <p>ISO Description: Date, as provided in the original transaction, on which the amount of money ceases to be available to the agent that owes it and when the amount of money becomes available to the agent to which it is due.</p> <p>Product Usage: The original Reconciliation Window Date of the Credit Transfer (pacs.008) message, as assigned by RTP.</p> <p>XML Tag: <OrgnlIntrBkSttlmDt></p> <p>Occurrence: [1..1]</p> <p>Format: YYYY-MM-DD</p> <p>Length: 10</p> <p>Example: 2017-11-12</p>
<p>INDEX: 4.0</p> <p>AddtlPmtInf +Inf</p>	<p>Name: Information</p> <p>ISO Description: Provides further additional details on the underlying payment instruction that cannot be transferred in a regular statement message.</p> <p>Product Usage: These elements are used to supply the additional or corrected data, in accordance with the received Request for Information (camt.026) message. Only the elements where any additional/updated information needs to be provided</p>

Element	Details
	<p>and which will therefore be different from the original Credit Transfer (pacs.008) message should be included.</p> <p>XML Tag: <Inf></p> <p>Occurrence: [1..1]</p> <p>Note(s): All elements which are used in this message are marked as optional. Detailed information about the usage of fields are documented under the relevant original Credit Transfer (pacs.008) and Request for Payment (pain.013) messages. No specific field format documentation is provided in this section.</p>
<p>INDEX: 4.1</p> <p>AddtlPmtInf +Inf ++InstrId</p>	<p>Name: Instruction Identification</p> <p>ISO Description: Unique identification, as assigned by an instructing party for an instructed party, to unambiguously identify the instruction.</p> <p>Usage: The instruction identification is a point to point reference that can be used between the instructing party and the instructed party to refer to the individual instruction. It can be included in several messages related to the instruction.</p> <p>XML Tag: <InstrId></p> <p>Occurrence: [0..1]</p> <p>Length: 35</p> <p>Example: 2017111202120020101BSTRF00000000211</p>
<p>INDEX: 4.2</p> <p>AddtlPmtInf +Inf ++EndToEndId</p>	<p>Name: End To End Identification</p> <p>ISO Description: Unique identification, as assigned by the initiating party, to unambiguously identify the transaction. This identification is passed on, unchanged, throughout the entire end-to-end chain.</p> <p>Usage: The end-to-end identification can be used for reconciliation or to link tasks relating to the transaction. It can be included in several messages related to the transaction.</p> <p>Usage: In case there are technical limitations to pass on multiple references, the end-to-end identification must be passed on throughout the entire end-to-end chain.</p> <p>XML Tag: <EndToEndId></p> <p>Occurrence: [0..1]</p> <p>Length: 35</p> <p>Example: E2E-Ref002</p>
<p>INDEX: 4.3</p> <p>AddtlPmtInf +Inf ++TxId</p>	<p>Name: Transaction Identification</p> <p>ISO Description: Unique identification, as assigned by the first instructing agent, to unambiguously identify the transaction that is passed on, unchanged, throughout the entire interbank chain.</p> <p>Usage: The transaction identification can be used for reconciliation, tracking or to link tasks relating to the transaction on the interbank level.</p>

Element	Details
	<p>Usage: The instructing agent has to make sure that the transaction identification is unique for a pre-agreed period.</p> <p>XML Tag: <TxId></p> <p>Occurrence: [0..1]</p> <p>Length: 35</p> <p>Example: 2017111202120020101BSRFP00000000213</p>
<p>INDEX: 4.32</p> <p>AddtIPmtInf +Inf ++UltmtDbtr</p>	<p>Name: Ultimate Debtor</p> <p>ISO Description: Ultimate party that owes an amount of money to the (ultimate) creditor.</p> <p>Product Usage: Ultimate Debtor is only permitted when Local Instrument is set to "INTERMEDIARY" or "Zelle" or "IXB". See guidelines for the use cases for a description of how Ultimate Debtor is used.</p> <p>XML Tag: <UltmtDbtr></p> <p>Occurrence: [0..1]</p>
<p>INDEX: 4.33</p> <p>AddtIPmtInf +Inf ++UltmtDbtr +++Nm</p>	<p>Name: Name</p> <p>ISO Description: Name by which a party is known and which is usually used to identify that party.</p> <p>XML Tag: <Nm></p> <p>Occurrence: [0..1]</p> <p>Length: 140</p>
<p>INDEX: 4.34</p> <p>AddtIPmtInf +Inf ++UltmtDbtr +++PstlAdr</p>	<p>Name: Postal Address</p> <p>ISO Description: Information that locates and identifies a specific address, as defined by postal services.</p> <p>XML Tag: <PstlAdr></p> <p>Occurrence: [0..1]</p> <p>Rule(s): Only structured Address possible plus one Address Line available. If Postal Address is included, Street Name, Post Code, Town Name, Country Subdivision, and Country are required.</p>
<p>INDEX: 4.43</p> <p>AddtIPmtInf +Inf ++UltmtDbtr +++PstlAdr ++++StrtNm</p>	<p>Name: Street Name</p> <p>ISO Description: Name of a street or thoroughfare.</p> <p>XML Tag: <StrtNm></p> <p>Occurrence: [1..1]</p> <p>Length: 70</p> <p>Example: Park Lane</p>
<p>INDEX: 4.44</p> <p>AddtIPmtInf +Inf</p>	<p>Name: Building Number</p> <p>ISO Description: Number that identifies the position of a building on a street.</p>

Element	Details
++UltmtDbtr +++PstlAdr ++++BldgNb	<p>XML Tag: <BldgNb></p> <p>Occurrence: [0..1]</p> <p>Length: 16</p> <p>Note(s): This is an optional field, even when Postal Address is present. Building number, when it is used, should be displayed to the end user directly ahead of Street Name. This field is not to be used as a second address line.</p> <p>Example: 45</p>
INDEX: 4.49 AddtlPmtInf +Inf ++UltmtDbtr +++PstlAdr ++++PstCd	<p>Name: Post Code</p> <p>ISO Description: Identifier consisting of a group of letters and/or numbers that is added to a postal address to assist the sorting of mail.</p> <p>XML Tag: <PstCd></p> <p>Occurrence: [1..1]</p> <p>Length: 16</p> <p>Example: 10016</p>
INDEX: 4.50 AddtlPmtInf +Inf ++UltmtDbtr +++PstlAdr ++++TwnNm	<p>Name: Town Name</p> <p>ISO Description: Name of a built-up area, with defined boundaries, and a local government.</p> <p>XML Tag: <TwnNm></p> <p>Occurrence: [1..1]</p> <p>Length: 35</p> <p>Example: New York City</p>
INDEX: 4.53 AddtlPmtInf +Inf ++UltmtDbtr +++PstlAdr ++++CtrySubDvsn	<p>Name: Country Sub Division</p> <p>ISO Description: Identifies a subdivision of a country such as state, region, county.</p> <p>Product Usage: Identifies the state (could include full name or two character state abbreviation).</p> <p>XML Tag: <CtrySubDvsn></p> <p>Occurrence: [1..1]</p> <p>Length: 35</p> <p>Example: New York</p>
INDEX: 4.54 AddtlPmtInf +Inf ++UltmtDbtr +++PstlAdr ++++Ctry	<p>Name: Country</p> <p>ISO Description: Nation with its own government.</p> <p>XML Tag: <Ctry></p> <p>Occurrence: [1..1]</p> <p>RegEx: [A-Z]{2,}</p>

Element	Details
	<p>Length: 2</p> <p>Rule(s): The code is checked against the list of country names obtained from the United Nations (ISO 3166, Alpha-2 code).</p> <p>Example: US</p>
<p>INDEX: 4.55</p> <p>AddtlPmtInf +Inf ++UltmtDbtr +++PstlAdr ++++AdrLine</p>	<p>Name: Address Line</p> <p>ISO Description: Information that locates and identifies a specific address, as defined by postal services, presented in free format text.</p> <p>XML Tag: <AdrLine></p> <p>Occurrence: [0..1]</p> <p>Length: 70</p> <p>Note(s): Only one occurrence of this field is permitted and it is to be used as an "Address Line 2". When displaying an address to an end user, this field should appear directly after or below Street Name and directly before or above Town Name.</p> <p>Example: c/o The Clearing House</p>
<p>INDEX: 4.56</p> <p>AddtlPmtInf +Inf ++UltmtDbtr +++Id</p>	<p>Name: Identification</p> <p>ISO Description: Unique and unambiguous identification of a party.</p> <p>Product Usage: This element is used on a conditional basis for Identification of any other specific identifier of the ultimate sender.</p> <p>XML Tag: <Id></p> <p>Occurrence: [0..1]</p> <p>Note(s): Either one element PrivateIdentification / Other or OrganisationIdentification / LEI is being used.</p>
<p>INDEX: 4.57</p> <p>Choice: {Or</p> <p>AddtlPmtInf +Inf ++UltmtDbtr +++Id ++++OrgId</p>	<p>Name: Organisation Identification</p> <p>ISO Description: Unique and unambiguous way to identify an organisation.</p> <p>XML Tag: <OrgId></p> <p>Occurrence: [1..1]</p>
<p>INDEX: 4.59</p> <p>AddtlPmtInf +Inf ++UltmtDbtr +++Id ++++OrgId +++++LEI</p>	<p>Name: LEI</p> <p>ISO Description: Legal entity identification as an alternate identification for a party.</p> <p>Product Usage: Optional legal entity identifier when the referenced party is not a consumer.</p> <p>XML Tag: <LEI></p> <p>Occurrence: [0..1]</p> <p>RegEx: [A-Z0-9]{18,18}[0-9]{2,2}</p> <p>Length: 20</p>

Element	Details
INDEX: 4.60 AddtlPmtInf +Inf ++UltmtDbtr +++Id ++++OrgId +++++Othr	<p>Example: 54930084UKLVMY22DS16</p> <p>Name: Other</p> <p>ISO Description: Unique identification of an organisation, as assigned by an institution, using an identification scheme.</p> <p>Product Usage: In the case of a Business Ultimate Debtor, the first two instances of Identification may be populated to carry over the Receiver of the RRFI Bank information (e.g., BIC and IBAN) when Sending an IXB RTP Response to a Request for Information to an international party. For RTP payments that are part of an IXB transfer, see IXB documentation.</p> <p>XML Tag: <Othr></p> <p>Occurrence: [0..5]</p>
INDEX: 4.61 AddtlPmtInf +Inf ++UltmtDbtr +++Id ++++OrgId +++++Othr ++++++Id	<p>Name: Identification</p> <p>ISO Description: Identification assigned by an institution.</p> <p>Product Usage: Specific Identifier for the Ultimate Debtor within the Debtor's system of record (e.g. username, account name/ID, email address, etc.).</p> <p>XML Tag: <Id></p> <p>Occurrence: [1..1]</p> <p>Length: 35</p>
INDEX: 4.62 AddtlPmtInf +Inf ++UltmtDbtr +++Id ++++OrgId +++++Othr ++++++SchmeNm	<p>Name: Scheme Name</p> <p>ISO Description: Name of the identification scheme.</p> <p>Product Usage: Used for additional information when the message is for IXB use cases. For RTP payments that are part of an IXB transfer, see IXB documentation.</p> <p>XML Tag: <SchmeNm></p> <p>Occurrence: [0..1]</p>
INDEX: 4.64 AddtlPmtInf +Inf ++UltmtDbtr +++Id ++++OrgId +++++Othr ++++++SchmeNm ++++++Prtry	<p>Name: Proprietary</p> <p>ISO Description: Name of the identification scheme, in a free text form.</p> <p>Product Usage: When 'Identification' is populated for IXB use cases, then the 'Proprietary' field should be populated to identify the Identification as either a BIC or an IBAN. For RTP payments that are part of an IXB transfer, see IXB documentation.</p> <p>XML Tag: <Prtry></p> <p>Occurrence: [1..1]</p> <p>Length: 35</p>
INDEX: 4.66	

Element	Details
Choice: Or} AddtlPmtInf +Inf ++UltmtDbtr +++Id ++++PrvtId	Name: Private Identification ISO Description: Unique and unambiguous identification of a person, for example a passport. XML Tag: <PrvtId> Occurrence: [1..1]
INDEX: 4.67 AddtlPmtInf +Inf ++UltmtDbtr +++Id ++++PrvtId +++++DtAndPlcOfBirth	Name: Date And Place Of Birth ISO Description: Date and place of birth of a person. XML Tag: <DtAndPlcOfBirth> Occurrence: [0..1]
INDEX: 4.68 AddtlPmtInf +Inf ++UltmtDbtr +++Id ++++PrvtId +++++DtAndPlcOfBirth +++++BirthDt	Name: Birth Date ISO Description: Date on which a person is born. XML Tag: <BirthDt> Occurrence: [1..1] Format: YYYY-MM-DD Length: 10 Example: 1969-06-28
INDEX: 4.70 AddtlPmtInf +Inf ++UltmtDbtr +++Id ++++PrvtId +++++DtAndPlcOfBirth +++++CityOfBirth	Name: City Of Birth ISO Description: City where a person was born. XML Tag: <CityOfBirth> Occurrence: [1..1] Length: 35 Note(s): This field is a mandatory ISO field if Date and Place of Birth is utilized, but the content of the field will not be validated by the system. Example: Birth City
INDEX: 4.71 AddtlPmtInf +Inf ++UltmtDbtr +++Id	Name: Country Of Birth ISO Description: Country where a person was born. XML Tag: <CtryOfBirth> Occurrence: [1..1]

Element	Details
++++PrvtId +++++DtAndPlcOfBirth +++++CtryOfBirth	RegEx: [A-Z]{2,2} Length: 2 Rule(s): The code is checked against the list of country names obtained from the United Nations (ISO 3166, Alpha-2 code). Example: US
INDEX: 4.72 AddtlPmtInf +Inf ++UltmtDbtr +++Id ++++PrvtId +++++Othr	Name: Other ISO Description: Unique identification of a person, as assigned by an institution, using an identification scheme. Product Usage: In the case of a Consumer/Person Ultimate Debtor, the first two instances of Identification may be populated to carry over the Receiver of the RRFI Bank information (e.g., BIC and IBAN) when Sending an IXB RTP Response to a Request for Information to an international party. For RTP payments that are part of an IXB transfer, see IXB documentation. XML Tag: <Othr> Occurrence: [0..5]
INDEX: 4.73 AddtlPmtInf +Inf ++UltmtDbtr +++Id ++++PrvtId +++++Othr +++++Id	Name: Identification ISO Description: Unique and unambiguous identification of a person. Product Usage: Specific Identifier for the Ultimate Debtor within the Debtor's system of record (e.g. username, account name/ID, email address, etc.) XML Tag: <Id> Occurrence: [1..1] Length: 35 Example: MaxMustermann_1705
INDEX: 4.74 AddtlPmtInf +Inf ++UltmtDbtr +++Id ++++PrvtId +++++Othr +++++SchmeNm	Name: Scheme Name ISO Description: Name of the identification scheme. Product Usage: Used for additional information when the message is for IXB use cases. For RTP payments that are part of an IXB transfer, see IXB documentation. XML Tag: <SchmeNm> Occurrence: [0..1]
INDEX: 4.76 AddtlPmtInf +Inf ++UltmtDbtr +++Id	Name: Proprietary ISO Description: Name of the identification scheme, in a free text form. Product Usage: When 'Identification' is populated for IXB use cases, then the 'Proprietary' field should be populated to identify the Identification as either a BIC or an IBAN. For RTP payments that are part of an IXB transfer, see IXB documentation.

Element	Details
++++PrvtId ++++Othr +++++SchmeNm ++++++Prtry	XML Tag: <Prtry> Occurrence: [1..1] Length: 35
INDEX: 4.94 AddtlPmtInf +Inf ++Dbtr	Name: Debtor ISO Description: Party that owes an amount of money to the (ultimate) creditor. Product Usage: The party (Sender) that instructs its Financial Institution to pay the Creditor / Receiver. XML Tag: <Dbtr> Occurrence: [0..1]
INDEX: 4.95 AddtlPmtInf +Inf ++Dbtr +++Nm	Name: Name ISO Description: Name by which a party is known and which is usually used to identify that party. XML Tag: <Nm> Occurrence: [0..1] Length: 140 Example: Name of Debtor
INDEX: 4.96 AddtlPmtInf +Inf ++Dbtr +++PstlAdr	Name: Postal Address ISO Description: Information that locates and identifies a specific address, as defined by postal services. XML Tag: <PstlAdr> Occurrence: [0..1] Rule(s): Only structured Address possible plus one Address Line available. If Postal Address is included, Street Name, Post Code, Town Name, Country Subdivision, and Country are required.
INDEX: 4.105 AddtlPmtInf +Inf ++Dbtr +++PstlAdr ++++StrtNm	Name: Street Name ISO Description: Name of a street or thoroughfare. XML Tag: <StrtNm> Occurrence: [1..1] Length: 70 Example: Park Lane
INDEX: 4.106 AddtlPmtInf +Inf ++Dbtr	Name: Building Number ISO Description: Number that identifies the position of a building on a street. XML Tag: <BldgNb> Occurrence: [0..1]

Element	Details
+++PstlAdr ++++BldgNb	<p>Length: 16</p> <p>Note(s): This is an optional field, even when Postal Address is present. Building number, when it is used, should be displayed to the end user directly ahead of Street Name. This field is not to be used as a second address line.</p> <p>Example: 45</p>
INDEX: 4.111 AddtlPmtInf +Inf ++Dbtr +++PstlAdr ++++PstCd	<p>Name: Post Code</p> <p>ISO Description: Identifier consisting of a group of letters and/or numbers that is added to a postal address to assist the sorting of mail.</p> <p>XML Tag: <PstCd></p> <p>Occurrence: [1..1]</p> <p>Length: 16</p> <p>Example: 10016</p>
INDEX: 4.112 AddtlPmtInf +Inf ++Dbtr +++PstlAdr ++++TwnNm	<p>Name: Town Name</p> <p>ISO Description: Name of a built-up area, with defined boundaries, and a local government.</p> <p>XML Tag: <TwnNm></p> <p>Occurrence: [1..1]</p> <p>Length: 35</p> <p>Example: New York City</p>
INDEX: 4.115 AddtlPmtInf +Inf ++Dbtr +++PstlAdr ++++CtrySubDvsn	<p>Name: Country Sub Division</p> <p>ISO Description: Identifies a subdivision of a country such as state, region, county.</p> <p>Product Usage: Identifies the state (could include full name or two character state abbreviation).</p> <p>XML Tag: <CtrySubDvsn></p> <p>Occurrence: [1..1]</p> <p>Length: 35</p> <p>Example: New York</p>
INDEX: 4.116 AddtlPmtInf +Inf ++Dbtr +++PstlAdr ++++Ctry	<p>Name: Country</p> <p>ISO Description: Nation with its own government.</p> <p>XML Tag: <Ctry></p> <p>Occurrence: [1..1]</p> <p>RegEx: [A-Z]{2,2}</p> <p>Length: 2</p> <p>Rule(s): The code is checked against the list of country names obtained from the United Nations (ISO 3166, Alpha-2 code).</p>

Element	Details
INDEX: 4.117 AddtlPmtInf +Inf ++Dbtr +++PstlAdr ++++AdrLine	<p>Example: US</p> <p>Name: Address Line</p> <p>ISO Description: Information that locates and identifies a specific address, as defined by postal services, presented in free format text.</p> <p>XML Tag: <AdrLine></p> <p>Occurrence: [0..1]</p> <p>Length: 70</p> <p>Note(s): Only one occurrence of this field is permitted and it is to be used as an "Address Line 2". When displaying an address to an end user, this field should appear directly after or below Street Name and directly before or above Town Name.</p> <p>Example: c/o The Clearing House</p>
INDEX: 4.118 AddtlPmtInf +Inf ++Dbtr +++Id	<p>Name: Identification</p> <p>ISO Description: Unique and unambiguous identification of a party.</p> <p>Product Usage: This element is used on a conditional basis for Identification of any other specific identifier of the sender.</p> <p>XML Tag: <Id></p> <p>Occurrence: [0..1]</p> <p>Note(s): Either one element PrivateIdentification / Other or OrganisationIdentification / LEI is being used.</p>
INDEX: 4.119 Choice: {Or AddtlPmtInf +Inf ++Dbtr +++Id ++++OrgId	<p>Name: Organisation Identification</p> <p>ISO Description: Unique and unambiguous way to identify an organisation.</p> <p>XML Tag: <OrgId></p> <p>Occurrence: [1..1]</p>
INDEX: 4.121 AddtlPmtInf +Inf ++Dbtr +++Id ++++OrgId +++++LEI	<p>Name: LEI</p> <p>ISO Description: Legal entity identification as an alternate identification for a party.</p> <p>Product Usage: Optional legal entity identifier when the referenced party is not a consumer.</p> <p>XML Tag: <LEI></p> <p>Occurrence: [1..1]</p> <p>RegEx: [A-Z0-9]{18,18}[0-9]{2,2}</p> <p>Length: 20</p> <p>Example: 54930084UKLVMY22DS16</p>
INDEX: 4.128	<p>Name: Private Identification</p>

Element	Details
Choice: Or} AddtlPmtInf +Inf ++Dbtr +++Id ++++PrvtId	ISO Description: Unique and unambiguous identification of a person, for example a passport. XML Tag: <PrvtId> Occurrence: [1..1]
INDEX: 4.129 AddtlPmtInf +Inf ++Dbtr +++Id ++++PrvtId +++++DtAndPlcOfBirth	Name: Date And Place Of Birth ISO Description: Date and place of birth of a person. XML Tag: <DtAndPlcOfBirth> Occurrence: [1..1]
INDEX: 4.130 AddtlPmtInf +Inf ++Dbtr +++Id ++++PrvtId +++++DtAndPlcOfBirth ++++++BirthDt	Name: Birth Date ISO Description: Date on which a person is born. XML Tag: <BirthDt> Occurrence: [1..1] Format: YYYY-MM-DD Length: 10 Example: 1969-06-28
INDEX: 4.132 AddtlPmtInf +Inf ++Dbtr +++Id ++++PrvtId +++++DtAndPlcOfBirth ++++++CityOfBirth	Name: City Of Birth ISO Description: City where a person was born. XML Tag: <CityOfBirth> Occurrence: [1..1] Length: 35 Note(s): This field is a mandatory ISO field if Date and Place of Birth is utilized, but the content of the field will not be validated by the system. Example: Birth City
INDEX: 4.133 AddtlPmtInf +Inf ++Dbtr +++Id	Name: Country Of Birth ISO Description: Country where a person was born. XML Tag: <CtryOfBirth> Occurrence: [1..1]

Element	Details
++++PrvtId ++++DtAndPlcOfBirth +++++CtryOfBirth	<p>RegEx: [A-Z]{2,2}</p> <p>Length: 2</p> <p>Rule(s): The code is checked against the list of country names obtained from the United Nations (ISO 3166, Alpha-2 code).</p> <p>Example: US</p>
INDEX: 4.863 AddtlPmtInf +Inf ++Cdtr	<p>Name: Creditor</p> <p>ISO Description: Party to which an amount of money is due.</p> <p>Product Usage: The party (Receiver) that receives payment from the Debtor / Sender.</p> <p>XML Tag: <Cdtr></p> <p>Occurrence: [0..1]</p>
INDEX: 4.864 AddtlPmtInf +Inf ++Cdtr +++Nm	<p>Name: Name</p> <p>ISO Description: Name by which a party is known and which is usually used to identify that party.</p> <p>XML Tag: <Nm></p> <p>Occurrence: [0..1]</p> <p>Length: 140</p> <p>Example: Name of Creditor</p>
INDEX: 4.865 AddtlPmtInf +Inf ++Cdtr +++PstlAdr	<p>Name: Postal Address</p> <p>ISO Description: Information that locates and identifies a specific address, as defined by postal services.</p> <p>XML Tag: <PstlAdr></p> <p>Occurrence: [0..1]</p> <p>Rule(s): Only structured Address possible plus one Address Line available. If Postal Address is included, Street Name, Post Code, Town Name, Country Subdivision, and Country are required.</p>
INDEX: 4.874 AddtlPmtInf +Inf ++Cdtr +++PstlAdr ++++StrtNm	<p>Name: Street Name</p> <p>ISO Description: Name of a street or thoroughfare.</p> <p>XML Tag: <StrtNm></p> <p>Occurrence: [1..1]</p> <p>Length: 70</p> <p>Example: Park Lane</p>
INDEX: 4.875 AddtlPmtInf +Inf ++Cdtr	<p>Name: Building Number</p> <p>ISO Description: Number that identifies the position of a building on a street.</p> <p>XML Tag: <BldgNb></p>

Element	Details
+++PstlAdr ++++BldgNb	<p>Occurrence: [0..1]</p> <p>Length: 16</p> <p>Note(s): This is an optional field, even when Postal Address is present. Building number, when it is used, should be displayed to the end user directly ahead of Street Name. This field is not to be used as a second address line.</p> <p>Example: 45</p>
INDEX: 4.880 AddtlPmtInf +Inf ++Cdtr +++PstlAdr ++++PstCd	<p>Name: Post Code</p> <p>ISO Description: Identifier consisting of a group of letters and/or numbers that is added to a postal address to assist the sorting of mail.</p> <p>XML Tag: <PstCd></p> <p>Occurrence: [1..1]</p> <p>Length: 16</p> <p>Example: 10016</p>
INDEX: 4.881 AddtlPmtInf +Inf ++Cdtr +++PstlAdr ++++TwnNm	<p>Name: Town Name</p> <p>ISO Description: Name of a built-up area, with defined boundaries, and a local government.</p> <p>XML Tag: <TwnNm></p> <p>Occurrence: [1..1]</p> <p>Length: 35</p> <p>Example: New York City</p>
INDEX: 4.884 AddtlPmtInf +Inf ++Cdtr +++PstlAdr ++++CtrySubDvsn	<p>Name: Country Sub Division</p> <p>ISO Description: Identifies a subdivision of a country such as state, region, county.</p> <p>Product Usage: Identifies the state (could include full name or two character state abbreviation).</p> <p>XML Tag: <CtrySubDvsn></p> <p>Occurrence: [1..1]</p> <p>Length: 35</p> <p>Example: New York</p>
INDEX: 4.885 AddtlPmtInf +Inf ++Cdtr +++PstlAdr ++++Ctry	<p>Name: Country</p> <p>ISO Description: Nation with its own government.</p> <p>XML Tag: <Ctry></p> <p>Occurrence: [1..1]</p> <p>RegEx: [A-Z]{2,2}</p> <p>Length: 2</p>

Element	Details
<p>INDEX: 4.886</p> <p>AddtlPmtInf +Inf ++Cdtr +++PstlAdr ++++AdrLine</p>	<p>Rule(s): The code is checked against the list of country names obtained from the United Nations (ISO 3166, Alpha-2 code).</p> <p>Example: US</p> <p>Name: Address Line</p> <p>ISO Description: Information that locates and identifies a specific address, as defined by postal services, presented in free format text.</p> <p>XML Tag: <AdrLine></p> <p>Occurrence: [0..1]</p> <p>Length: 70</p> <p>Note(s): Only one occurrence of this field is permitted and it is to be used as an "Address Line 2". When displaying an address to an end user, this field should appear directly after or below Street Name and directly before or above Town Name.</p> <p>Example: c/o The Clearing House</p>
<p>INDEX: 4.887</p> <p>AddtlPmtInf +Inf ++Cdtr +++Id</p>	<p>Name: Identification</p> <p>ISO Description: Unique and unambiguous identification of a party.</p> <p>Product Usage: This element is used on a conditional basis for Identification of any other specific identifier of the receiver.</p> <p>XML Tag: <Id></p> <p>Occurrence: [0..1]</p> <p>Note(s): Either one element PrivateIdentification / Other or OrganisationIdentification / LEI is being used.</p>
<p>INDEX: 4.888</p> <p>Choice: {Or</p> <p>AddtlPmtInf +Inf ++Cdtr +++Id ++++OrgId</p>	<p>Name: Organisation Identification</p> <p>ISO Description: Unique and unambiguous way to identify an organisation.</p> <p>XML Tag: <OrgId></p> <p>Occurrence: [1..1]</p>
<p>INDEX: 4.890</p> <p>AddtlPmtInf +Inf ++Cdtr +++Id ++++OrgId ++++LEI</p>	<p>Name: LEI</p> <p>ISO Description: Legal entity identification as an alternate identification for a party.</p> <p>Product Usage: Optional legal entity identifier when the referenced party is not a consumer.</p> <p>XML Tag: <LEI></p> <p>Occurrence: [1..1]</p> <p>RegEx: [A-Z0-9]{18,18}[0-9]{2,2}</p> <p>Length: 20</p> <p>Example: 54930084UKLVMY22DS16</p>

Element	Details
INDEX: 4.897 Choice: Or} AddtlPmtInf +Inf ++Cdtr +++Id ++++PrvtId	Name: Private Identification ISO Description: Unique and unambiguous identification of a person, for example a passport. XML Tag: <PrvtId> Occurrence: [1..1]
INDEX: 4.898 AddtlPmtInf +Inf ++Cdtr +++Id ++++PrvtId +++++DtAndPlcOfBirth	Name: Date And Place Of Birth ISO Description: Date and place of birth of a person. XML Tag: <DtAndPlcOfBirth> Occurrence: [1..1]
INDEX: 4.899 AddtlPmtInf +Inf ++Cdtr +++Id ++++PrvtId +++++DtAndPlcOfBirth +++++BirthDt	Name: Birth Date ISO Description: Date on which a person is born. XML Tag: <BirthDt> Occurrence: [1..1] Format: YYYY-MM-DD Length: 10 Example: 1969-06-28
INDEX: 4.901 AddtlPmtInf +Inf ++Cdtr +++Id ++++PrvtId +++++DtAndPlcOfBirth +++++CityOfBirth	Name: City Of Birth ISO Description: City where a person was born. XML Tag: <CityOfBirth> Occurrence: [1..1] Length: 35 Note(s): This field is a mandatory ISO field if Date and Place of Birth is utilized, but the content of the field will not be validated by the system. Example: Birth City
INDEX: 4.902 AddtlPmtInf +Inf ++Cdtr	Name: Country Of Birth ISO Description: Country where a person was born. XML Tag: <CtryOfBirth>

Element	Details
+++Id ++++PrvtId +++++DtAndPlcOfBirth +++++CtryOfBirth	<p>Occurrence: [1..1]</p> <p>RegEx: [A-Z]{2,2}</p> <p>Length: 2</p> <p>Rule(s): The code is checked against the list of country names obtained from the United Nations (ISO 3166, Alpha-2 code).</p> <p>Example: US</p>
INDEX: 4.910 AddtlPmtInf +Inf ++Cdtr +++CtctDtls	<p>Name: Contact Details</p> <p>ISO Description: Set of elements used to indicate how to contact the party.</p> <p>XML Tag: <CtctDtls></p> <p>Occurrence: [0..1]</p>
INDEX: 4.913 AddtlPmtInf +Inf ++Cdtr +++CtctDtls ++++PhneNb	<p>Name: Phone Number</p> <p>ISO Description: Collection of information that identifies a phone number, as defined by telecom services.</p> <p>Product Usage: This element is only used to provide contact information for the creditor.</p> <p>XML Tag: <PhneNb></p> <p>Occurrence: [0..1]</p> <p>Format: Format expression: \+[0-9]{1,3}-[0-9()+\-]{1,30} First position fixed value '+' followed up to 3 numeric positions followed by the fixed value '-'. After these values up to 30 numeric characters including the values '()' and '-'</p> <p>RegEx: \+[0-9]{1,3}-[0-9()+\-]{1,30}</p> <p>Length: 35</p> <p>Example: +1-555-123-4567 +1-5551234567</p>
INDEX: 4.944 AddtlPmtInf +Inf ++UltmtCdtr	<p>Name: Ultimate Creditor</p> <p>ISO Description: Ultimate party to which an amount of money is due.</p> <p>Product Usage: Ultimate Creditor may only be used when Local Instrument / Proprietary code is set to 'INTERMEDIARY', 'ZELLE' Or 'IXB'. See guidelines for the use cases for a description of how Ultimate Creditor is used.</p> <p>XML Tag: <UltmtCdtr></p> <p>Occurrence: [0..1]</p>
INDEX: 4.945 AddtlPmtInf +Inf ++UltmtCdtr	<p>Name: Name</p> <p>ISO Description: Name by which a party is known and which is usually used to identify that party.</p> <p>XML Tag: <Nm></p>

Element	Details
+++Nm	<p>Occurrence: [0..1] Length: 140</p>
INDEX: 4.946 AddtlPmtInf +Inf ++UltmtCdtr +++PstlAdr	<p>Name: Postal Address</p> <p>ISO Description: Information that locates and identifies a specific address, as defined by postal services.</p> <p>XML Tag: <PstlAdr></p> <p>Occurrence: [0..1]</p> <p>Rule(s): Only structured Address possible plus one Address Line available. If Postal Address is included, Street Name, Post Code, Town Name, Country Subdivision, and Country are required.</p>
INDEX: 4.955 AddtlPmtInf +Inf ++UltmtCdtr +++PstlAdr ++++StrtNm	<p>Name: Street Name</p> <p>ISO Description: Name of a street or thoroughfare.</p> <p>XML Tag: <StrtNm></p> <p>Occurrence: [1..1]</p> <p>Length: 70</p> <p>Example: Park Lane</p>
INDEX: 4.956 AddtlPmtInf +Inf ++UltmtCdtr +++PstlAdr ++++BldgNb	<p>Name: Building Number</p> <p>ISO Description: Number that identifies the position of a building on a street.</p> <p>XML Tag: <BldgNb></p> <p>Occurrence: [0..1]</p> <p>Length: 16</p> <p>Note(s): This is an optional field, even when Postal Address is present. Building number, when it is used, should be displayed to the end user directly ahead of Street Name. This field is not to be used as a second address line.</p> <p>Example: 45</p>
INDEX: 4.961 AddtlPmtInf +Inf ++UltmtCdtr +++PstlAdr ++++PstCd	<p>Name: Post Code</p> <p>ISO Description: Identifier consisting of a group of letters and/or numbers that is added to a postal address to assist the sorting of mail.</p> <p>XML Tag: <PstCd></p> <p>Occurrence: [1..1]</p> <p>Length: 16</p> <p>Example: 10016</p>
INDEX: 4.962 AddtlPmtInf +Inf	<p>Name: Town Name</p> <p>ISO Description: Name of a built-up area, with defined boundaries, and a local government.</p>

Element	Details
++UltmtCdtr +++PstlAdr ++++TwnNm	XML Tag: <TwnNm> Occurrence: [1..1] Length: 35 Example: New York City
INDEX: 4.965 AddtlPmtInf +Inf ++UltmtCdtr +++PstlAdr ++++CtrySubDvsn	Name: Country Sub Division ISO Description: Identifies a subdivision of a country such as state, region, county. Product Usage: Identifies the state (could include full name or two character state abbreviation). XML Tag: <CtrySubDvsn> Occurrence: [1..1] Length: 35 Example: New York
INDEX: 4.966 AddtlPmtInf +Inf ++UltmtCdtr +++PstlAdr ++++Ctry	Name: Country ISO Description: Nation with its own government. XML Tag: <Ctry> Occurrence: [1..1] RegEx: [A-Z]{2,2} Length: 2 Rule(s): The code is checked against the list of country names obtained from the United Nations (ISO 3166, Alpha-2 code). Example: US
INDEX: 4.967 AddtlPmtInf +Inf ++UltmtCdtr +++PstlAdr ++++AdrLine	Name: Address Line ISO Description: Information that locates and identifies a specific address, as defined by postal services, presented in free format text. XML Tag: <AdrLine> Occurrence: [0..1] Length: 70 Note(s): Only one occurrence of this field is permitted and it is to be used as an "Address Line 2". When displaying an address to an end user, this field should appear directly after or below Street Name and directly before or above Town Name. Example: c/o The Clearing House
INDEX: 4.968 AddtlPmtInf +Inf ++UltmtCdtr	Name: Identification ISO Description: Unique and unambiguous identification of a party. Product Usage: This element is used on a conditional basis for Identification of any other specific identifier of the ultimate receiver.

Element	Details
+++Id	<p>XML Tag: <Id></p> <p>Occurrence: [0..1]</p> <p>Note(s): Either one element PrivateIdentification / Other or OrganisationIdentification / LEI is being used.</p>
<p>INDEX: 4.969</p> <p>Choice: {Or</p> <p>AddtlPmtInf</p> <p>+Inf</p> <p>++UltmtCdtr</p> <p>+++Id</p> <p>++++OrgId</p>	<p>Name: Organisation Identification</p> <p>ISO Description: Unique and unambiguous way to identify an organisation.</p> <p>XML Tag: <OrgId></p> <p>Occurrence: [1..1]</p>
<p>INDEX: 4.971</p> <p>AddtlPmtInf</p> <p>+Inf</p> <p>++UltmtCdtr</p> <p>+++Id</p> <p>++++OrgId</p> <p>+++++LEI</p>	<p>Name: LEI</p> <p>ISO Description: Legal entity identification as an alternate identification for a party.</p> <p>Product Usage: Optional legal entity identifier when the referenced party is not a consumer.</p> <p>XML Tag: <LEI></p> <p>Occurrence: [0..1]</p> <p>RegEx: [A-Z0-9]{18,18}[0-9]{2,2}</p> <p>Length: 20</p> <p>Example: 54930084UKLVMY22DS16</p>
<p>INDEX: 4.972</p> <p>AddtlPmtInf</p> <p>+Inf</p> <p>++UltmtCdtr</p> <p>+++Id</p> <p>++++OrgId</p> <p>+++++Othr</p>	<p>Name: Other</p> <p>ISO Description: Unique identification of an organisation, as assigned by an institution, using an identification scheme.</p> <p>Product Usage: In the case of a Business Ultimate Creditor, the first two instances of Identification may be populated to carry over the Sender of the RRFI Bank information (e.g., BIC and IBAN) when Receiving an IXB RTP Response to a Request for Information from an international party. For RTP payments that are part of an IXB transfer, see IXB documentation.</p> <p>XML Tag: <Othr></p> <p>Occurrence: [0..5]</p>
<p>INDEX: 4.973</p> <p>AddtlPmtInf</p> <p>+Inf</p> <p>++UltmtCdtr</p> <p>+++Id</p> <p>++++OrgId</p> <p>+++++Othr</p>	<p>Name: Identification</p> <p>ISO Description: Identification assigned by an institution.</p> <p>XML Tag: <Id></p> <p>Occurrence: [1..1]</p> <p>Length: 35</p>

Element	Details
++++++Id INDEX: 4.974 AddtlPmtInf +Inf ++UltmtCdtr +++Id ++++OrgId +++++Othr +++++SchmeNm	Name: Scheme Name ISO Description: Name of the identification scheme. Product Usage: Used for additional information when the message is for IXB use cases. For RTP payments that are part of an IXB transfer, see IXB documentation. XML Tag: <SchmeNm> Occurrence: [0..1]
INDEX: 4.976 AddtlPmtInf +Inf ++UltmtCdtr +++Id ++++OrgId +++++Othr +++++SchmeNm +++++Prtry	Name: Proprietary ISO Description: Name of the identification scheme, in a free text form. Product Usage: When 'Identification' is populated for IXB use cases, then the 'Proprietary' field should be populated to identify the Identification as either a BIC or an IBAN. For RTP payments that are part of an IXB transfer, see IXB documentation. XML Tag: <Prtry> Occurrence: [1..1] Length: 35
INDEX: 4.978 Choice: Or} AddtlPmtInf +Inf ++UltmtCdtr +++Id +++++PrvtId	Name: Private Identification ISO Description: Unique and unambiguous identification of a person, for example a passport. XML Tag: <PrvtId> Occurrence: [1..1]
INDEX: 4.979 AddtlPmtInf +Inf ++UltmtCdtr +++Id +++++PrvtId +++++DtAndPlcOfBirth	Name: Date And Place Of Birth ISO Description: Date and place of birth of a person. XML Tag: <DtAndPlcOfBirth> Occurrence: [0..1]
INDEX: 4.980 AddtlPmtInf +Inf	Name: Birth Date ISO Description: Date on which a person is born. XML Tag: <BirthDt>

Element	Details
++UltmtCdtr +++Id ++++PrvtId +++++DtAndPlcOfBirth +++++BirthDt	Occurrence: [1..1] Format: YYYY-MM-DD Length: 10 Example: 1969-06-28
INDEX: 4.982 AddtlPmtInf +Inf ++UltmtCdtr +++Id ++++PrvtId +++++DtAndPlcOfBirth +++++CityOfBirth	Name: City Of Birth ISO Description: City where a person was born. XML Tag: <CityOfBirth> Occurrence: [1..1] Length: 35 Note(s): This field is a mandatory ISO field if Date and Place of Birth is utilized, but the content of the field will not be validated by the system. Example: Birth City
INDEX: 4.983 AddtlPmtInf +Inf ++UltmtCdtr +++Id ++++PrvtId +++++DtAndPlcOfBirth +++++CtryOfBirth	Name: Country Of Birth ISO Description: Country where a person was born. XML Tag: <CtryOfBirth> Occurrence: [1..1] RegEx: [A-Z]{2,2} Length: 2 Rule(s): The code is checked against the list of country names obtained from the United Nations (ISO 3166, Alpha-2 code). Example: US
INDEX: 4.984 AddtlPmtInf +Inf ++UltmtCdtr +++Id ++++PrvtId +++++Othr	Name: Other ISO Description: Unique identification of a person, as assigned by an institution, using an identification scheme. Product Usage: In the case of a Consumer/Person Ultimate Creditor, the first two instances of Identification may be populated to carry over the Sender of the RRFI Bank information (e.g., BIC and IBAN) when Receiving an IXB RTP Response to a Request for Information from an international party. For RTP payments that are part of an IXB transfer, see IXB documentation. XML Tag: <Othr> Occurrence: [0..5]
INDEX: 4.985 AddtlPmtInf +Inf	Name: Identification ISO Description: Unique and unambiguous identification of a person. Product Usage: Specific Identifier for the Ultimate Creditor within the Creditor's system of record (e.g. username, account name/ID,

Element	Details
++UltmtCdtr +++Id ++++PrvtId +++++Othr +++++Id	email address, etc.). XML Tag: <Id> Occurrence: [1..1] Length: 35
INDEX: 4.986 AddtlPmtInf +Inf ++UltmtCdtr +++Id ++++PrvtId +++++Othr +++++SchmeNm	Name: Scheme Name ISO Description: Name of the identification scheme. Product Usage: Used for additional information when the message is for IXB use cases. For RTP payments that are part of an IXB transfer, see IXB documentation. XML Tag: <SchmeNm> Occurrence: [0..1]
INDEX: 4.988 AddtlPmtInf +Inf ++UltmtCdtr +++Id ++++PrvtId +++++Othr +++++SchmeNm +++++Prtry	Name: Proprietary ISO Description: Name of the identification scheme, in a free text form. Product Usage: When 'Identification' is populated for IXB use cases, then the 'Proprietary' field should be populated to identify the Identification as either a BIC or an IBAN. For RTP payments that are part of an IXB transfer, see IXB documentation. XML Tag: <Prtry> Occurrence: [1..1] Length: 35
INDEX: 4.1265 AddtlPmtInf +Inf ++RmtInf	Name: Remittance Information ISO Description: Structured information that enables the matching, that is reconciliation, of a payment with the items that the payment is intended to settle, such as commercial invoices in an account receivable system. Product Usage: This is a conditional field which needs to be provided in case the sender of the Response to Request for Information (camt.028) cannot provide the requested information. XML Tag: <RmtInf> Occurrence: [0..1]
INDEX: 4.1266 AddtlPmtInf +Inf ++RmtInf +++Ustrd	Name: Unstructured ISO Description: Information supplied to enable the matching/reconciliation of an entry with the items that the payment is intended to settle, such as commercial invoices in an accounts' receivable system, in an unstructured form. Product Usage: The 140 characters up to 20 occurrences in the Response of Request for Information is used to provide the requested additional / changed information for all data which cannot be provided in any other data fields. For better identification to which request (Missing Information or Incorrect Information) from the Request for

Element	Details
	<p>Information Message (camt.026) the connected code should be provided at the beginning of the line inside of '/' (e.g. /MS01/) followed by the necessary information. If requested information cannot be provided the first six characters must include '/RJCT/'.</p> <p>XML Tag: <Ustrd> Occurrence: [0..20] Length: 140 Example: /RJCT/more information not available /MS01/additional Remittance Information as requested</p>
<p>INDEX: 4.1267 AddtlPmtInf +Inf ++RmtInf +++Strd</p>	<p>Name: Structured ISO Description: Information supplied to enable the matching/reconciliation of an entry with the items that the payment is intended to settle, such as commercial invoices in an accounts' receivable system, in a structured form. XML Tag: <Strd> Occurrence: [0..1]</p>
<p>INDEX: 4.1311 AddtlPmtInf +Inf ++RmtInf +++Strd ++++RfrdDocAmt</p>	<p>Name: Referred Document Amount ISO Description: Provides details on the amounts of the referred document. XML Tag: <RfrdDocAmt> Occurrence: [0..1] Note(s): At this point only discounted amounts are used under the element Discount Applied Amount.</p>
<p>INDEX: 4.1314 AddtlPmtInf +Inf ++RmtInf +++Strd ++++RfrdDocAmt +++++DscntApldAmt</p>	<p>Name: Discount Applied Amount ISO Description: Amount specified for the referred document is the amount of discount to be applied to the amount due and payable to the creditor. XML Tag: <DscntApldAmt> Occurrence: [0..3]</p>
<p>INDEX: 4.1315 AddtlPmtInf +Inf ++RmtInf +++Strd ++++RfrdDocAmt +++++DscntApldAmt +++++Tp</p>	<p>Name: Type ISO Description: Specifies the type of the amount. XML Tag: <Tp> Occurrence: [1..1]</p>

Element	Details
INDEX: 4.1317 AddtlPmtInf +Inf ++RmtInf +++Strd ++++RfrdDocAmt +++++DscntApldAmt ++++++Tp ++++++Prtry	<p>Name: Proprietary</p> <p>ISO Description: Specifies the amount type, in a free-text form.</p> <p>XML Tag: <Prtry></p> <p>Occurrence: [1..1]</p> <p>Length: 4</p> <hr/> <p>Permitted Codes</p> <p>DSCT Discounted Amount – includes the difference between the gross amount (included in the Discount Applied Amounts with proprietary code 'FULL') and the amount paid with this Credit Transfer (included in Interbank Settlement Amount). When an amount of this type is present, a second occurrence with the Type "FULL" must also be present.</p> <p>FULL Full amount payable – The sum of the gross amounts of all invoices being paid with this Credit Transfer. When an amount of this type is present, a second occurrence with the Type "DSCT" must also be present.</p> <p>ORIG Originally Requested Amount – when the Credit Transfer is returning funds associated with a previously completed Credit Transfer, and the amount being returned differs from the original amount of the Credit Transfer, the original amount of the returned Credit Transfer must be included here.</p>
INDEX: 4.1318 AddtlPmtInf +Inf ++RmtInf +++Strd ++++RfrdDocAmt +++++DscntApldAmt ++++++Amt	<p>Name: Amount</p> <p>ISO Description: Amount of money, which has been typed.</p> <p>XML Tag: <Amt></p> <p>Occurrence: [1..1]</p> <p>Rule(s): The number of fractional digits (or minor unit of currency) must comply with ISO 4217. Note: The decimal separator is a dot.</p> <p>Example: 6284534</p> <p>Frac Digits: 2</p> <p>Total Digits: 18</p>
INDEX: 4.1319	<p>Name: Currency</p> <p>ISO Description: A code allocated to a currency by a Maintenance Agency under an international identification scheme, as described in the latest edition of the international standard ISO 4217 "Codes for the representation of currencies and funds".</p> <p>XML Tag: <Ccy></p> <p>RegEx: [A-Z]{3,3}</p> <p>Length: 3</p>

Element	Details
	<p>Rule(s): The Currency Code must be registered, or have already been registered. Valid active or historic currency codes are registered with the ISO 4217 Maintenance Agency, consist of three (3) contiguous letters, and may be or not be withdrawn on the day the message containing the Currency is exchanged.</p> <p>Example: USD</p>
	<p>Permitted Codes</p> <p>USD US Dollar</p>

12 MESSAGE STRUCTURE SPECIFICATION PAYMENT ACKNOWLEDGEMENT

12.1 Acknowledgment – camt.035.001.05

This chapter defines the standard product message formats used by the TCH Real Time Payment system (RTP) for sending and receiving Payment Acknowledgement messages, between the RTP and Participants using the System.

This chapter covers the following:

- The message structure of the camt.035 message used in RTP
- The required data types and usage rules of the data fields in these messages

12.1.1 Scope

The Payment Acknowledgement message has two uses:

- A Creditor (end-user) may use the message to acknowledge that a Credit Transfer has been received and applied; and
- A Creditor FI (RTP Participant) must use the message to confirm that the funds associated with a Credit Transfer, that was previously accepted without posting (ACWP transaction status), has posted to the Creditor's account.

12.1.2 Message Structure Description

Index	XML Tag	Element Name	Occurr.	Length	M/O/C
	PrtryFrmtnvstgtn	Proprietary Format Investigation V05	[1..1]		M
1.0	Assgnmt	Assignment	[1..1]		M
1.1	Id	Identification	[1..1]	35	M
1.2	Assgnr	Assigner	[1..1]		M
1.65	Agt	Agent	[1..1]		M
1.66	FinInstnId	Financial Institution Identification	[1..1]		M
1.68	ClrSysMmbld	Clearing System Member Identification	[1..1]		M
1.72	Mmbld	Member Identification	[1..1]	9	M
1.129	Assgne	Assignee	[1..1]		M
1.192	Agt	Agent	[1..1]		M
1.193	FinInstnId	Financial Institution Identification	[1..1]		M
1.195	ClrSysMmbld	Clearing System Member Identification	[1..1]		M
1.199	Mmbld	Member Identification	[1..1]	9	M
1.256	CreDtTm	Creation Date Time	[1..1]	19	M
2.0	Case	Case	[1..1]		M
2.1	Id	Identification	[1..1]	35	M
2.2	Cretr	Creator	[1..1]		M
2.3	{Or	Pty	Party	[1..1]	C
2.4	Nm	Name	[1..1]	140	M
2.65	Or}	Agt	Agent	[1..1]	C
2.66	FinInstnId	Financial Institution Identification	[1..1]		M
2.68	ClrSysMmbld	Clearing System Member Identification	[1..1]		M
2.72	Mmbld	Member Identification	[1..1]	9	M
3.0	PrtryData	Proprietary Data	[1..1]		M
3.1	Tp	Type	[1..1]	4	M
3.2	Data	Data	[1..1]		M
3.3	Ustrd	Unstructured	[0..1]	140	O
3.4	OrigRefs	Original Reference	[1..1]		M
3.6	InstrId	Instruction Identification	[1..1]	35	M
3.7	EndToEndId	End To End Identification	[1..1]	35	M
3.8	TxId	Transaction Identification	[1..1]	35	M
3.9	UETR	UETR	[0..1]	36	O

12.1.3 Detail Message Field Description

Element	Details
PrtryFrmtInvstgtn	<p>Name: Proprietary Format Investigation V05</p> <p>Product Usage: This message is being used to provide an acknowledgment back from the Creditor / Creditor Agent to the originator of the payment.</p> <p>XML Tag: <PrtryFrmtInvstgtn></p> <p>Occurrence: [1..1]</p>
INDEX: 1.0 PrtryFrmtInvstgtn +Assgnmt	<p>Name: Assignment</p> <p>ISO Description: Identifies the assignment of an investigation case from an assigner to an assignee. Usage: The assigner must be the sender of this confirmation and the assignee must be the receiver.</p> <p>XML Tag: <Assgnmt></p> <p>Occurrence: [1..1]</p>
INDEX: 1.1 PrtryFrmtInvstgtn +Assgnmt ++Id	<p>Name: Identification</p> <p>ISO Description: Uniquely identifies the case assignment.</p> <p>Product Usage: Assigned by Instructing FI to uniquely identify the Payment Acknowledgement message. The uniqueness of a Payment Acknowledgement is determined by the Assignment Identification and is based on the format below. RTP will use the Assignment ID to perform a check for a duplicate message within the duplicate checking period.</p> <p>XML Tag: <Id></p> <p>Occurrence: [1..1]</p> <p>Format: Expected Format: MYYYYMMDDbbbbbbbbbbBAAAnnnnnnnnnnn Pos. 01-01 – Prefix ‘M’ Pos. 02-09 - File creation date in format YYYYYMMDD Pos. 10-20 - Participant ID (11 characters) Pos. 21-21 - Message generation source (“B” if generated by a Participant) Pos. 22-24 - Discretionary bank field (3 digit alpha numeric that can be used to serialize, identify specific systems, etc.) Pos. 25-35 - Message serial number (11 numeric characters)</p> <p>RegEx: M[0-9]{4}(((01 03 05 07 08 10 12)((0[1-9]) ([1-2][0-9]) (3[0-1]))) ((04 06 09 11)((0[1-9]) ([1-2][0-9]) 30)) ((02)((0[1-9]) ([1-2][0-9])))))[A-Z0-9]{11}.*</p> <p>Length: 35</p> <p>Rule(s): The first 20 characters of Assignment Identification (positions 01-20) are validated for structural alignment in accordance with the format specification. Business validations for the Assignment Identification include: - Embedded date (positions 02-09) must be within 1 calendar day of the system date. - Embedded Participant ID (positions 10-20) must be owned by the Assigning Agent.</p> <p>Reason Code(s): Reject with Message Status Report (pacs.002) if: - Assignment Identification matches a previously completed transaction (DUPL);</p>

Element	Details
	<p>- Embedded date is not within 1 calendar day of the system date (DT04) - Participant ID is not owned by the Instructing Agent (DS0H) If structural validation fails, The RTP Network will reject with code '650' in Administration Advice message (admi.002).</p> <p>Example: M2017111202120020101BACK0000000001</p>
<p>INDEX: 1.2 PrtryFrmtInvstgtn +Assgnmt ++Assgnr</p>	<p>Name: Assigner ISO Description: Party who assigns the case. Usage: This is also the sender of the message. XML Tag: <Assgnr> Occurrence: [1..1]</p>
<p>INDEX: 1.65 PrtryFrmtInvstgtn +Assgnmt ++Assgnr +++Agt</p>	<p>Name: Agent ISO Description: Identification of a financial institution. XML Tag: <Agt> Occurrence: [1..1]</p>
<p>INDEX: 1.66 PrtryFrmtInvstgtn +Assgnmt ++Assgnr +++Agt ++++FinInstnId</p>	<p>Name: Financial Institution Identification ISO Description: Unique and unambiguous identification of a financial institution, as assigned under an internationally recognised or proprietary identification scheme. XML Tag: <FinInstnId> Occurrence: [1..1]</p>
<p>INDEX: 1.68 PrtryFrmtInvstgtn +Assgnmt ++Assgnr +++Agt ++++FinInstnId ++++ClrSysMmbld</p>	<p>Name: Clearing System Member Identification ISO Description: Information used to identify a member within a clearing system. XML Tag: <ClrSysMmbld> Occurrence: [1..1]</p>
<p>INDEX: 1.72 PrtryFrmtInvstgtn +Assgnmt ++Assgnr +++Agt ++++FinInstnId ++++ClrSysMmbld +++++Mmbld</p>	<p>Name: Member Identification ISO Description: Identification of a member of a clearing system. Product Usage: The 9 character Routing and Transit Number of the FI initiating this Payment Acknowledgement message. XML Tag: <Mmbld> Occurrence: [1..1] Format: 9 character Routing and Transit Number (alphabetic characters may be present)</p>

Element	Details
	<p>Length: 9</p> <p>Rule(s): Member Identification must be a valid 9 character Routing and Transit Number.</p> <p>Reason Code(s): The RTP Network will reject with code '650' in Administration Advice message (admi.002) if Routing and Transit number is not supported in RTP database.</p> <p>Reject with Message Status Report (pacs.002) if:</p> <ul style="list-style-type: none"> - Routing and Transit number is not authorized to send this business message (reason code 'AG03') - agent is signed off (reason code '9934') - agent is suspended (reason code '9946') - the sender of the message is not authorized to submit message on behalf of this agent (reason code 'DSOH') <p>Note(s): The system validates that the participant indicated in the Assignment ID (positions 10-20) owns the Routing and Transit Number contained within this field.</p> <p>Example: 021200201</p>
<p>INDEX: 1.129</p> <p>PrtryFrmtInvstgtn +Assgnmt ++Assgne</p>	<p>Name: Assignee</p> <p>ISO Description: Party to which the case is assigned. Usage: This is also the receiver of the message.</p> <p>XML Tag: <Assgne></p> <p>Occurrence: [1..1]</p>
<p>INDEX: 1.192</p> <p>PrtryFrmtInvstgtn +Assgnmt ++Assgne +++Agt</p>	<p>Name: Agent</p> <p>ISO Description: Identification of a financial institution.</p> <p>XML Tag: <Agt></p> <p>Occurrence: [1..1]</p>
<p>INDEX: 1.193</p> <p>PrtryFrmtInvstgtn +Assgnmt ++Assgne +++Agt ++++FinInstnld</p>	<p>Name: Financial Institution Identification</p> <p>ISO Description: Unique and unambiguous identification of a financial institution, as assigned under an internationally recognised or proprietary identification scheme.</p> <p>XML Tag: <FinInstnld></p> <p>Occurrence: [1..1]</p>
<p>INDEX: 1.195</p> <p>PrtryFrmtInvstgtn +Assgnmt ++Assgne +++Agt ++++FinInstnld</p>	<p>Name: Clearing System Member Identification</p> <p>ISO Description: Information used to identify a member within a clearing system.</p> <p>XML Tag: <ClrSysMmbld></p> <p>Occurrence: [1..1]</p>

Element	Details
+++++ClrSysMmbld INDEX: 1.199 PrtryFrmtInvstgtn +Assgnmt ++Assgne +++Agt ++++FinInstnld +++++ClrSysMmbld +++++Mmbld	<p>Name: Member Identification</p> <p>ISO Description: Identification of a member of a clearing system.</p> <p>Product Usage: The 9 character Routing and Transit Number of the FI receiving this Payment Acknowledgement message.</p> <p>XML Tag: <Mmbld></p> <p>Occurrence: [1..1]</p> <p>Format: 9 character Routing and Transit Number (alphabetic characters may be present)</p> <p>Length: 9</p> <p>Rule(s): Member Identification must be a valid 9 character Routing and Transit Number.</p> <p>Reason Code(s): Reject with Message Status Report (pacs.002) if :</p> <ul style="list-style-type: none"> - Routing and Transit number is not supported in RTP (reason code 'RC03') - Routing and Transit number is not authorized to receive this specific message (reason code 'AG03') - agent is signed off (reason code '9910') - agent is suspended (reason code '9947') - receiver connection is not available (reason code '9912') <p>Example: 021200201</p>
INDEX: 1.256 PrtryFrmtInvstgtn +Assgnmt ++CreDtTm	<p>Name: Creation Date Time</p> <p>ISO Description: Date and time at which the assignment was created.</p> <p>Product Usage: The date and time the assignment was created.</p> <p>XML Tag: <CreDtTm></p> <p>Occurrence: [1..1]</p> <p>Format: YYYY-MM-DDThh:mm:ss</p> <p>Length: 19</p> <p>Rule(s): Creation Date Time must be within one calendar day of the system's date/time.</p> <p>Reason Code(s): Reject with code 'DT04' in pacs.002 for failing business validation.</p> <p>Note(s): The date is required to be set to Eastern Time (ET).</p> <p>Example: 2017-11-12T10:09:33</p>
INDEX: 2.0 PrtryFrmtInvstgtn +Case	<p>Name: Case</p> <p>ISO Description: Identifies the investigation case.</p> <p>XML Tag: <Case></p> <p>Occurrence: [1..1]</p>

Element	Details
INDEX: 2.1 PrtryFrmtInvstgtn +Case ++Id	Name: Identification ISO Description: Uniquely identifies the case. Product Usage: The Identification for the Case uses the same Identification that was used for the Assignment. XML Tag: <Id> Occurrence: [1..1] Length: 35 Rule(s): This must be equal to Assignment ID. Note(s): For Format specification see element Assignment/Id. Example: M2017111202120020101BACK0000000001
INDEX: 2.2 PrtryFrmtInvstgtn +Case ++Cretr	Name: Creator ISO Description: Party that created the investigation case. Product Usage: Provision of the original Creditor or Creditor FI that initiated the Payment Acknowledgement message. XML Tag: <Cretr> Occurrence: [1..1] Note(s): This is a mandatory ISO field that will not be used by the system.
INDEX: 2.3 Choice: {Or PrtryFrmtInvstgtn +Case ++Cretr +++Pty	Name: Party ISO Description: Identification of a person or an organisation. Product Usage: When the Payment Acknowledgement is an end-user initiated message, this field is used to provide the name of the Creditor that initiated the Payment Acknowledgement message. XML Tag: <Pty> Occurrence: [1..1]
INDEX: 2.4 PrtryFrmtInvstgtn +Case ++Cretr +++Pty ++++Nm	Name: Name ISO Description: Name by which a party is known and which is usually used to identify that party. Product Usage: Official name of the Creditor Customer as associated with the Creditor FI account that initiates the Payment Acknowledgement message. XML Tag: <Nm> Occurrence: [1..1] Length: 140 Note(s): This is a mandatory ISO field that will not be used by the system. Example: Creator Name

Element	Details
INDEX: 2.65 Choice: Or} PrtryFrmtInvstgtn +Case ++Cretr +++Agt	Name: Agent ISO Description: Identification of a financial institution. Product Usage: When the Payment Acknowledgement is a bank-to-bank message, this field is used to provide the Creditor FI that initiated the Payment Acknowledgement message. XML Tag: <Agt> Occurrence: [1..1]
INDEX: 2.66 PrtryFrmtInvstgtn +Case ++Cretr +++Agt ++++FinInstnld	Name: Financial Institution Identification ISO Description: Unique and unambiguous identification of a financial institution, as assigned under an internationally recognised or proprietary identification scheme. XML Tag: <FinInstnld> Occurrence: [1..1]
INDEX: 2.68 PrtryFrmtInvstgtn +Case ++Cretr +++Agt ++++FinInstnld +++++ClrSysMmbld	Name: Clearing System Member Identification ISO Description: Information used to identify a member within a clearing system. XML Tag: <ClrSysMmbld> Occurrence: [1..1]
INDEX: 2.72 PrtryFrmtInvstgtn +Case ++Cretr +++Agt ++++FinInstnld +++++ClrSysMmbld +++++Mmbld	Name: Member Identification ISO Description: Identification of a member of a clearing system. Product Usage: Creditor FI which confirms posting of fund to Creditor account used if type equals 'ACWP'. XML Tag: <Mmbld> Occurrence: [1..1] Length: 9
INDEX: 3.0 PrtryFrmtInvstgtn +PrtryData	Name: Proprietary Data ISO Description: Proprietary information. XML Tag: <PrtryData> Occurrence: [1..1]
INDEX: 3.1 PrtryFrmtInvstgtn +PrtryData	Name: Type ISO Description: Specifies the type of proprietary document.

Element	Details
++Tp	<p>Product Usage: Identification of the type of Payment Acknowledgement being sent, either:</p> <ul style="list-style-type: none"> - End-user acknowledgement, or - Bank-to-Bank acknowledgement. <p>XML Tag: <Tp></p> <p>Occurrence: [1..1]</p> <p>Length: 4</p> <p>Rule(s): Only code 'ACK' or 'ACWP' for acknowledgement is allowed</p> <p>Reason Code(s): The RTP Network will reject with code '650' in Administration Advice message (admi.002) if Code is not valid.</p> <p>Example: ACK</p> <p>Permitted Codes</p> <p>ACK Acknowledgement from Creditor (end-user) to the sender of the Credit Transfer</p> <p>ACWP Acknowledgement from Creditor FI that funds have been posted to the Creditor Account following an ACWP transaction status.</p>
INDEX: 3.2 PrtryFrmtInvstgtn +PrtryData ++Data	<p>Name: Data</p> <p>ISO Description: Identifies the underlying transaction.</p> <p>XML Tag: <Data></p> <p>Occurrence: [1..1]</p>
INDEX: 3.3 PrtryFrmtInvstgtn +PrtryData ++Data +++Ustrd	<p>Name: Unstructured</p> <p>ISO Description: Specifies a character string with a maximum length of 140 characters.</p> <p>Product Usage: This field is being used to provide up to 140 characters of additional information regarding the specific acknowledgement in this message. It should only be used in the case of an end-user Payment Acknowledgement.</p> <p>XML Tag: <Ustrd></p> <p>Occurrence: [0..1]</p> <p>Length: 140</p> <p>Example: Unstructured Information</p>
INDEX: 3.4 PrtryFrmtInvstgtn +PrtryData ++Data +++OrigRefs	<p>Name: Original Reference</p> <p>ISO Description: Identifies the underlying transaction.</p> <p>Product Usage: Includes reference numbers from the original Credit Transfer (pacs.008) message to which the Payment Acknowledgement (camt.035) relates.</p> <p>XML Tag: <OrigRefs></p> <p>Occurrence: [1..1]</p>

Element	Details
INDEX: 3.6 PrtryFrmtInvstgtn +PrtryData ++Data +++OrigRefs ++++InstrId	<p>Name: Instruction Identification</p> <p>ISO Description: Unique identification, as assigned by an instructing party for an instructed party, to unambiguously identify the instruction.</p> <p>Usage: The instruction identification is a point to point reference that can be used between the instructing party and the instructed party to refer to the individual instruction. It can be included in several messages related to the instruction.</p> <p>Product Usage: The Instruction ID from the original Credit Transfer (pacs.008) message.</p> <p>XML Tag: <InstrId></p> <p>Occurrence: [1..1]</p> <p>Format: Expected format: YYYYMMDDbbbbbbbbbbBAAAAnnnnnnnnnn</p> <p>Length: 35</p> <p>Example: 201511202120020101BSTRF00000000011</p>
INDEX: 3.7 PrtryFrmtInvstgtn +PrtryData ++Data +++OrigRefs ++++EndToEndId	<p>Name: End To End Identification</p> <p>ISO Description: Unique identification, as assigned by the initiating party, to unambiguously identify the transaction. This identification is passed on, unchanged, throughout the entire end-to-end chain.</p> <p>Usage: The end-to-end identification can be used for reconciliation or to link tasks relating to the transaction. It can be included in several messages related to the transaction.</p> <p>Usage: In case there are technical limitations to pass on multiple references, the end-to-end identification must be passed on throughout the entire end-to-end chain.</p> <p>Product Usage: The End to End ID from the original payment instruction (pacs.008).</p> <p>XML Tag: <EndToEndId></p> <p>Occurrence: [1..1]</p> <p>Length: 35</p> <p>Note(s): The End to End Identification refers to the Identification between the Debtor and Creditor that refers to the payment itself.</p> <p>Example: E2E-Ref001</p>
INDEX: 3.8 PrtryFrmtInvstgtn +PrtryData ++Data +++OrigRefs	<p>Name: Transaction Identification</p> <p>ISO Description: Unique identification, as assigned by the first instructing agent, to unambiguously identify the transaction that is passed on, unchanged, throughout the entire interbank chain.</p> <p>Usage: The transaction identification can be used for reconciliation, tracking or to link tasks relating to the transaction on the interbank level.</p>

Element	Details
++++Txld	<p>Usage: The instructing agent must make sure that the transaction identification is unique for a pre-agreed period.</p> <p>Product Usage: The Transaction Identifier of the original Credit Transfer (pacs.008) message. This is a mandatory field to provide in the Payment Acknowledgement message.</p> <p>XML Tag: <Txld></p> <p>Occurrence: [1..1]</p> <p>Length: 35</p> <p>Note(s): Please see field specification for 'Transaction Identification' under Credit Transfer (pacs.008).</p> <p>Example: 2017111202120020101BSRFP00000000013</p>
INDEX: 3.9 PrtryFrmtInvstgtn +PrtryData ++Data +++OrigRefs ++++UETR	<p>Name: UETR</p> <p>ISO Description: Universally unique identifier to provide an end-to-end reference of a payment transaction.</p> <p>Product Usage: The UETR identifier is assigned by the instructing agent to link an RTP message to services or arrangements outside of the RTP network. If used, the same UETR should be passed on throughout the entire payment chain without being changed. The ability to include a UETR identifier in an RTP message does not mean that RTP messages can be used as part of a larger end-to-end transfer or as a cover payment. Readers should refer to the RTP Operating Rules to determine permissible uses of RTP messages.</p> <p>XML Tag: <UETR></p> <p>Occurrence: [0..1]</p> <p>Length: 36</p> <p>RegEx: [a-f0-9]{8}-[a-f0-9]{4}-4[a-f0-9]{3}-[89ab][a-f0-9]{3}-[a-f0-9]{12}</p> <p>Example: eb6305c9-1f7f-49de-aed0-16487c27b42d</p>

13 MESSAGE STRUCTURE SPECIFICATION PAYMENT STATUS REQUEST

13.1 Payment Status Request –pacs.028.001.03

This chapter defines the standard product message formats used by the TCH Real Time Payment system (RTP) for sending a Payment Status Request message to retrieve the status of a previously completed Credit Transfer. This chapter covers the following:

- The message structure of the pacs.028 message used in RTP
- The required data types and usage rules of the data fields in these messages

13.1.1 Scope

The Participant can request a status about a previously submitted Credit Transfer (pacs.008), FI to FI Credit Transfer (pacs.009) or Request for Payment (pain.013) in case the pacs.002 was not received.

In a typical Credit Transfer flow, the Debtor FI will receive a Message Status Report (pacs.002) including the outcome of the Credit Transfer (pacs.008) request. However, if a processing error causes the Debtor FI to miss or fail to receive the Message Status Report, the Payment Status Request (pacs.028) can be used to return a copy of the original Message Status Report.

Additionally, in a typical Credit Transfer flow, the Creditor FI receives a Message Status Report (pacs.002) confirming that the system received its response to the Credit Transfer and that the transaction has settled. If the Creditor FI's response is not received in time, the system generates a System Time-Out message (camt.056), notifying the Creditor FI of the time-out condition. However, if the Creditor FI does not receive either of these messages, the Creditor FI may submit a Payment Status Request (pacs.028) to retrieve a copy of the original Message Status Report.

In the case in which a Creditor FI is submitting a Payment Status Request (pacs.028) related to a Credit Transfer that timed out, the System will return a copy of the Message Status Report (pacs.002) with status set to RJCT and Reason Code DS24.

In the case in which the original credit transfer is not found, the system will respond with a Message Status Report (pacs.002) rejecting the Payment Status Request (pacs.028). See the Message Status Report Section for more information related to the references included in the pacs.002 when the pacs.028 is being rejected compared to when the pacs.002 response is a copy of the response from the original Credit Transfer.

The Payment Status Request (pacs.028) message can similarly be used with other five-leg messages, including the FI-to-FI Credit Transfer (pacs.009) and the Request for Payment (pain.013).

Notes:

- In the Business Application Header of the Message Status Report response, the code 'COPY' is used if the response is a copy of the original response.
- A pacs.002 copy will have a different MsgId and CreDtTm (elements of the Group Header set). The MsgID and CreDtTm will match the pacs.028 while other fields will match the original message.
- Assorted reasons can cause the pacs.028 to fail. In this case the system will respond with a new pacs.002 rejection with the appropriate reason code:

13.1.2 Message Structure Description

Index	XML Tag	Element Name	Occurr.	Length	M/O/C
	FIToFIPmtStsReq	FITo FIPayment Status Request V03	[1..1]		M
1.0	GrpHdr	Group Header	[1..1]		M
1.1	MsgId	Message Identification	[1..1]	35	M
1.2	CreDtTm	Creation Date Time	[1..1]	19	M
2.0	OrgnGrpInf	Original Group Information	[1..1]		M
2.1	OrgnMsgId	Original Message Identification	[1..1]	35	M
2.2	OrgnMsgNmId	Original Message Name Identification	[1..1]	35	M
2.3	OrgnCreDtTm	Original Creation Date Time	[1..1]	19	M
2.4	OrgnNbOfTx	Original Number Of Transactions	[1..1]	1	M
3.0	TxInf	Transaction Information	[1..1]		M
3.6	OrgnInstrId	Original Instruction Identification	[1..1]	35	M
3.8	OrgnTxId	Original Transaction Identification	[1..1]	35	C
3.10	AcptncDtTm	Acceptance Date Time	[1..1]	19	M
3.12	InstgAgt	Instructing Agent	[1..1]		M
3.13	FinInstnId	Financial Institution Identification	[1..1]		M
3.15	ClrSysMmbld	Clearing System Member Identification	[1..1]		M
3.19	Mmbld	Member Identification	[1..1]	9	M
3.76	InstdAgt	Instructed Agent	[1..1]		M
3.77	FinInstnId	Financial Institution Identification	[1..1]		M
3.79	ClrSysMmbld	Clearing System Member Identification	[1..1]		M
3.83	Mmbld	Member Identification	[1..1]	9	M
3.140	OrgnTxRef	Original Transaction Reference	[1..1]		M
3.141	IntrBkSttlmAmt	Interbank Settlement Amount	[1..1]	18	M
3.142	Ccy	Currency	[required]	3	M
3.150	IntrBkSttlmDt	Interbank Settlement Date	[1..1]	10	M

13.1.3 Detail Message Field Description

Element	Details
FIToFIPmtStsReq	<p>Name: FITo FIPayment Status Request V03</p> <p>Product Usage: This message is sent by either the Debtor FI or the Creditor FI to inquiry as to the outcome of a previously completed Credit Transfer (pacs.008).</p> <p>XML Tag: <FIToFIPmtStsReq></p> <p>Occurrence: [1..1]</p>
INDEX: 1.0 FIToFIPmtStsReq +GrpHdr	<p>Name: Group Header</p> <p>ISO Description: Set of characteristics shared by all individual transactions included in the status request message.</p> <p>XML Tag: <GrpHdr></p> <p>Occurrence: [1..1]</p>
INDEX: 1.1 FIToFIPmtStsReq +GrpHdr ++MsgId	<p>Name: Message Identification</p> <p>ISO Description: Point to point reference, as assigned by the instructing party, and sent to the next party in the chain to unambiguously identify the message. Usage: The instructing party has to make sure that MessageIdentification is unique per instructed party for a pre-agreed period.</p> <p>Product Usage: Assigned by the Instructing Agent (Debtor FI or Creditor FI). The Instructing Agent must ensure the uniqueness of this Message Identification.</p> <p>XML Tag: <MsgId></p> <p>Occurrence: [1..1]</p> <p>Format: Format: MYYYYMMDDbbbbbbbbbbBAAAnnnnnnnnnn Pos. 01-01 – Prefix ‘M’ Pos. 02-09 - File creation date in format YYYYMMDD Pos. 10-20 - Participant ID (11 characters) Pos. 21-21 - Message generation source (“B” if generated by a Participant) Pos. 22-24 - Discretionary bank field (3 digit alpha numeric that can be used to serialize, identify specific systems, etc.) Pos. 25-35 - Message serial number (11 numeric characters)</p> <p>RegEx: M[0-9]{4}(((01 03 05 07 08 10 12)((0[1-9]) ([1-2][0-9]) (3[0-1]))) ((04 06 09 11)((0[1-9]) ([1-2][0-9]) 30)) ((02)((0[1-9]) ([1-2][0-9])))))[A-Z0-9]{11}.*</p> <p>Length: 35</p> <p>Rule(s): The Message Identification structure position 01 to 20 is validated for structural alignment according to the format specification.</p> <p>Reason Code(s): The RTP Network will reject with code ‘650’ in Administration Advice message (admi.002) for structural validation failure.</p> <p>Example: M2017111202001000101BMSR00000000002</p>

Element	Details
INDEX: 1.2 FIToFIPmtStsReq +GrpHdr ++CreDtTm	<p>Name: Creation Date Time</p> <p>ISO Description: Date and time at which the message was created.</p> <p>XML Tag: <CreDtTm></p> <p>Occurrence: [1..1]</p> <p>Format: YYYY-MM-DDThh:mm:ss</p> <p>Length: 19</p> <p>Rule(s): Creation Date Time must be within 1 calendar day of the system's date/time.</p> <p>Reason Code(s): Reject with code 'DT04' in pacs.002 for failing validation.</p> <p>Note(s): The date is required to be set to Eastern Time (ET).</p> <p>Example: 2017-11-12T10:05:20</p>
INDEX: 2.0 FIToFIPmtStsReq +OrgnlGrpInf	<p>Name: Original Group Information</p> <p>ISO Description: Original group information concerning the group of transactions, to which the status request message refers to.</p> <p>XML Tag: <OrgnlGrpInf></p> <p>Occurrence: [1..1]</p>
INDEX: 2.1 FIToFIPmtStsReq +OrgnlGrpInf ++OrgnlMsgId	<p>Name: Original Message Identification</p> <p>ISO Description: Point to point reference, as assigned by the original instructing party, to unambiguously identify the original message.</p> <p>Product Usage: The Original Message ID of the Credit Transfer (pacs.008), the FI to FI Credit Transfer (pacs.009) and Request for Payment (pain.013).</p> <p>XML Tag: <OrgnlMsgId></p> <p>Occurrence: [1..1]</p> <p>Format: Expected format: MYYYYMMDDbbbbbbbbbbBAAAnnnnnnnnnn</p> <p>Pos. 01-01 – Prefix 'M'</p> <p>Pos. 02-09 - File creation date in format YYYYYMMDD</p> <p>Pos. 10-20 - Participant ID (11 characters)</p> <p>Pos. 21-21 - Message generation source ("B")</p> <p>Pos. 22-24 - Discretionary bank field (3 digit alpha numeric that can be used to serialize, identify specific systems, etc.)</p> <p>Pos. 25-35 - Message serial number (11 numeric characters)</p> <p>Length: 35</p> <p>Example: M2017111202120020101BTRF00000000011</p>
INDEX: 2.2 FIToFIPmtStsReq	<p>Name: Original Message Name Identification</p>

Element	Details
+OrgnlGrpInf ++OrgnlMsgNmId	<p>ISO Description: Specifies the original message name identifier to which the message refers.</p> <p>Product Usage: Specifies the type of the original message, which must be either pacs.008, pacs.009 or pain.013.</p> <p>XML Tag: <OrgnlMsgNmId></p> <p>Occurrence: [1..1]</p> <p>Length: 35</p> <p>Reason Code(s): The RTP Network will reject with code '650' in Administration Advice message (admi.002) if Original Message Name Identification is not valid.</p> <p>Example: pacs.008.001.08</p> <p>Permitted Codes</p> <p>pacs.008.001.06 Credit Transfer</p> <p>pacs.008.001.08 Credit Transfer - V08</p> <p>pacs.009.001.08 FI to FI Credit Transfer - V08</p> <p>pain.013.001.07 Creditor Payment Activation Request (Request for Payment) - V07</p>
INDEX: 2.3 FIToFIPmtStsReq +OrgnlGrpInf ++OrgnlCreDtTm	<p>Name: Original Creation Date Time</p> <p>ISO Description: Date and time at which the original message was created.</p> <p>Product Usage: This date is referring to the original message.</p> <p>XML Tag: <OrgnlCreDtTm></p> <p>Occurrence: [1..1]</p> <p>Format: YYYY-MM-DDThh:mm:ss</p> <p>Length: 19</p> <p>Reason Code(s): The RTP Network will reject with code '650' in Administration Advice message (admi.002) if not valid.</p> <p>Note(s): The date is required to be set to Eastern Time (ET).</p> <p>Example: 2017-11-12T10:05:00</p>
INDEX: 2.4 FIToFIPmtStsReq +OrgnlGrpInf ++OrgnlNbOfTxS	<p>Name: Original Number Of Transactions</p> <p>ISO Description: Number of individual transactions contained in the original message.</p> <p>XML Tag: <OrgnlNbOfTxS></p> <p>Occurrence: [1..1]</p> <p>RegEx: [1]{1,1}</p> <p>Length: 1</p> <p>Rule(s): Expected value is '1'.</p>

Element	Details
	<p>Reason Code(s): The RTP Network will reject with code '650' in Administration Advice message (admi.002) if value is not '1'.</p> <p>Example: 1</p>
<p>INDEX: 3.0 FIToFIPmtStsReq +TxInf</p>	<p>Name: Transaction Information</p> <p>ISO Description: Information concerning the original transaction, to which the status request message refers.</p> <p>XML Tag: <TxInf></p> <p>Occurrence: [1..1]</p>
<p>INDEX: 3.6 FIToFIPmtStsReq +TxInf ++OrgnlInstrId</p>	<p>Name: Original Instruction Identification</p> <p>ISO Description: Unique identification, as assigned by the original instructing party for the original instructed party, to unambiguously identify the original instruction.</p> <p>Product Usage: The Instruction Identification of the Credit Transfer (pacs.008) or FI to FI Credit Transfer (pacs.009) to which this Payment Status Request relates. The Payment Information Identification of the Request for Payment (pain.013) to which this request relates.</p> <p>XML Tag: <OrgnlInstrId></p> <p>Occurrence: [1..1]</p> <p>Format: Expected format: YYYYMMDDbbbbbbbbbbBAAAAnnnnnnnnnn Pos. 01-08 - File creation date in format YYYYMMDD Pos. 09-19 - Participant ID (11 characters) Pos. 20-20 - Message generation source ("B" if generated by a Participant) Pos. 21-24 - Discretionary bank field (4 digit alpha numeric that can be used to serialize, identify specific systems, etc.) Pos. 25-35 - Message serial number (11 numeric characters)</p> <p>Length: 35</p> <p>Rule(s): Must be a valid Instruction ID / Payment Information ID for a transaction that completed in the last three calendar days.</p> <p>Reason Code(s): If no matching instruction is found, reject with pacs.002 code 'TM01'.</p> <p>Note(s): This format is not structurally validated by the system, it is used to validate the relation to the original message for which this is the response.</p> <p>Example: 201711202120020101BSTRF00000000011</p>
<p>INDEX: 3.8 FIToFIPmtStsReq +TxInf ++OrgnlTxId</p>	<p>Name: Original Transaction Identification</p> <p>ISO Description: Unique identification, as assigned by the original first instructing agent, to unambiguously identify the transaction.</p> <p>Product Usage: The unique identifier, assigned by the first instructing agent to unambiguously identify the transaction that is requested. - This is the Transaction Identification assigned by the Debtor FI (pacs.008 and pacs.009). - If the Instructing Agent is the same as the Debtor FI, the Transaction Identification and Instruction Identification should be the same. - In case a Credit Transfer (pacs.008) was initiated based on a Request for Payment (pain.013) message, this element is</p>

Element	Details
	<p>filled with the Payment Information Identification from the pain.013. - In case of a Request for Payment (pain.013) the Payment Information Identification needs to be provided.</p> <p>XML Tag: <OrgnlTxId> Occurrence: [1..1] Length: 35 Example: 2017111202120020101BSRFP00000000013</p>
<p>INDEX: 3.10 FIToFIPmtStsReq +TxInf ++AcptncDtTm</p>	<p>Name: Acceptance Date Time ISO Description: Point in time when the payment order from the initiating party meets the processing conditions of the account servicing agent. This means that the account servicing agent has received the payment order and has applied checks such as authorisation, availability of funds. Product Usage: Point in time when the instruction from the Instructing Agent (Debtor FI) has been accepted by the Instructed Agent (Creditor FI). If unknown (e.g. Debtor FI is submitting the Payment Status Request), include the Acceptance Date Time as equal to the Creation Date Time of the original Credit Transfer.</p> <p>XML Tag: <AcptncDtTm> Occurrence: [1..1] Format: YYYY-MM-DDThh:mm:ss Length: 19 Note(s): The date is required to be set to Eastern Time (ET). Example: 2017-11-12T10:05:10</p>
<p>INDEX: 3.12 FIToFIPmtStsReq +TxInf ++InstgAgt</p>	<p>Name: Instructing Agent ISO Description: Agent that instructs the next party in the chain to carry out the (set of) instruction(s). XML Tag: <InstgAgt> Occurrence: [1..1]</p>
<p>INDEX: 3.13 FIToFIPmtStsReq +TxInf ++InstgAgt +++FinInstnId</p>	<p>Name: Financial Institution Identification ISO Description: Unique and unambiguous identification of a financial institution, as assigned under an internationally recognised or proprietary identification scheme. XML Tag: <FinInstnId> Occurrence: [1..1]</p>
<p>INDEX: 3.15 FIToFIPmtStsReq +TxInf ++InstgAgt</p>	<p>Name: Clearing System Member Identification ISO Description: Information used to identify a member within a clearing system. XML Tag: <ClrSysMmbId></p>

Element	Details
+++FinInstnId ++++ClrSysMmbld	Occurrence: [1..1]
INDEX: 3.19 FIToFIPmtStsReq +TxInf ++InstgAgt +++FinInstnId ++++ClrSysMmbld ++++Mmbld	<p>Name: Member Identification</p> <p>ISO Description: Identification of a member of a clearing system.</p> <p>Product Usage: Identification of the sender of the Payment Status Request (pacs.028). This can be either the sender or receiver of the original Credit Transfer (pacs.008), the original FI to FI Credit Transfer (pacs.009) or Request for Payment (pain.013). Credit Transfer (pacs.008) and FI to FI Credit Transfer (pacs.009): Sender equals 'Instructing Agent' and Receiver equals 'Instructed Agent' Request for Payment (pain.013): Sender equals 'Initiating Party' and Receiver equals 'Debtor Agent'.</p> <p>XML Tag: <Mmbld></p> <p>Occurrence: [1..1]</p> <p>Format: 9 character Routing and Transit Number (alphabetic characters may be present)</p> <p>Length: 9</p> <p>Rule(s): The submitter of the Payment Status Request is either the Instructing Agent / Debtor Agent of the original Credit Transfer, or the Creditor Agent / Initiating Party of the original Request for Payment.</p> <p>Reason Code(s): If the submitter of the Payment Status Request is neither the Instructing Agent / Debtor Agent or the Instructed Agent / Initiating Party of the original Credit Transfer/Request for Payment, reject Payment Status Request with pacs.002 code 'AGNT'.</p> <p>Example: 020010001</p>
INDEX: 3.76 FIToFIPmtStsReq +TxInf ++InstdAgt	<p>Name: Instructed Agent</p> <p>ISO Description: Agent that is instructed by the previous party in the chain to carry out the (set of) instruction(s).</p> <p>XML Tag: <InstdAgt></p> <p>Occurrence: [1..1]</p>
INDEX: 3.77 FIToFIPmtStsReq +TxInf ++InstdAgt +++FinInstnId	<p>Name: Financial Institution Identification</p> <p>ISO Description: Unique and unambiguous identification of a financial institution, as assigned under an internationally recognised or proprietary identification scheme.</p> <p>XML Tag: <FinInstnId></p> <p>Occurrence: [1..1]</p>
INDEX: 3.79 FIToFIPmtStsReq +TxInf	<p>Name: Clearing System Member Identification</p> <p>ISO Description: Information used to identify a member within a clearing system.</p>

Element	Details
++InstdAgt +++FinInstnId ++++ClrSysMmbld	XML Tag: <ClrSysMmbld> Occurrence: [1..1]
INDEX: 3.83 FIToFIPmtStsReq +TxInf ++InstdAgt +++FinInstnId ++++ClrSysMmbld +++++Mmbld	Name: Member Identification ISO Description: Identification of a member of a clearing system. Product Usage: Identification of the sender of the Payment Status Request (pacs.028). This can be either the sender or receiver of the original Credit Transfer (pacs.008), the original FI to FI Credit Transfer (pacs.009) or Request for Payment (pain.013). XML Tag: <Mmbld> Occurrence: [1..1] Format: 9 character Routing and Transit Number (alphabetic characters may be present) Length: 9 Rule(s): The 9 digit routing number of the other participant involved in the payment or non-payment message that is the subject of the payment status request. Reason Code(s): If the receiver of the Payment Status Request is neither the Instructing Agent / Debtor Agent or the Instructed Agent / Initiating Party of the original Credit Transfer/Request for Payment, reject Payment Status Request with pacs.002 code 'AGNT'. Example: 021200201
INDEX: 3.140 FIToFIPmtStsReq +TxInf ++OrgnlTxRef	Name: Original Transaction Reference ISO Description: Key elements used to identify the original transaction that is being referred to. Product Usage: Mandatory to provide details from the original pacs.008 message for Interbank Settlement Amount and Interbank Settlement Date. XML Tag: <OrgnlTxRef> Occurrence: [1..1]
INDEX: 3.141 FIToFIPmtStsReq +TxInf ++OrgnlTxRef +++IntrBkSttlmAmt	Name: Interbank Settlement Amount ISO Description: Amount of money moved between the instructing agent and the instructed agent. Product Usage: The Interbank Settlement Amount from the message. XML Tag: <IntrBkSttlmAmt> Occurrence: [1..1] Rule(s): The number of fractional digits (or minor unit of currency) must comply with ISO 4217. Note: The decimal separator is a dot. Reason Code(s): In case for structural validation failure, the RTP Network will reject with code '650' in Administration Advice message

Element	Details
	<p>(admi.002) if:</p> <ul style="list-style-type: none"> - The value of this field is zero or less than zero - The value in this field is greater than supported by the ISO definition for the maximum number of digits (total 18 digit) - The currency code is not valid - The number of decimal digits is greater than the specified number of digits as defined by the ISO4217 definition <p>Note(s): RTP is only supporting USD and the maximum decimal digits allowed are two.</p> <p>Example: 525.25</p> <p>Frac Digits: 2</p> <p>Total Digits: 18</p>
<p>INDEX: 3.142</p>	<p>Name: Currency</p> <p>ISO Description: A code allocated to a currency by a Maintenance Agency under an international identification scheme, as described in the latest edition of the international standard ISO 4217 "Codes for the representation of currencies and funds".</p> <p>XML Tag: <Ccy></p> <p>RegEx: [A-Z]{3,3}</p> <p>Length: 3</p> <p>Rule(s): The Currency Code must be registered, or have already been registered. Valid active or historic currency codes are registered with the ISO 4217 Maintenance Agency, consist of three (3) contiguous letters, and may be or not be withdrawn on the day the message containing the Currency is exchanged.</p> <p>Example: USD</p> <p>Permitted Codes</p> <p>USD US Dollar</p>
<p>INDEX: 3.150</p> <p>FIToFIPmtStsReq +TxInf ++OrgnlTxRef +++IntrBkSttlmDt</p>	<p>Name: Interbank Settlement Date</p> <p>ISO Description: Date on which the amount of money ceases to be available to the agent that owes it and when the amount of money becomes available to the agent to which it is due.</p> <p>Product Usage: Interbank settlement date of the message. If unknown, include the date as the current calendar day.</p> <p>XML Tag: <IntrBkSttlmDt></p> <p>Occurrence: [1..1]</p> <p>Format: YYYY-MM-DD</p> <p>Length: 10</p> <p>Reason Code(s): The RTP Network will reject with code '650' in Administration Advice message (admi.002) if XML parsing error.</p> <p>Example: 2017-11-12</p>

14 MESSAGE STRUCTURE SPECIFICATION TOKEN NOTIFICATION MESSAGE

Note that the acmt.022.001.02 message type is reserved for future use.

14.1 Token Notification – acmt.022.001.02

This chapter defines the standard product message formats used by the TCH Real Time Payment system (RTP) for receiving the Token Advice message, sent by RTP to Participants using the RTP System.

This chapter covers the following:

- The message structure of the acmt.022 message used in RTP
- The required data types and usage rules of the data fields in these messages

14.1.1 Scope

This message is used to send a tokenized Routing and Transit number and account number back to the sender of a Credit Transfer or a Request for Payment when the sender of the pacs.008 or pain.013 used account credentials in the clear and a token exists in the token service for the recipient account.

Secure Token Exchange (STE) is a stand-alone token service offered by The Clearing House. Participants in RTP can take advantage of STE in a number of ways. In this use case, an RTP Participant is a customer of STE and has instructed STE to notify any sender of an RFP or Credit Transfer using account credentials in the clear that a token exists for the account. The Token Notification message includes a reference to the original message (Credit Transfer or Request for Payment), the original account credentials used, and the tokenized credentials that should be used in the future.

Upon receipt of the Token Notification Message, the recipient should replace any stored account credentials with the token information provided.

14.1.2 Message Structure Description

Index	XML Tag	Element Name	Occurr.	Length	M/O/C
	IdModAdv	Identification Modification Advice V02	[1..1]		M
1.0	Assgnmt	Assignment	[1..1]		M
1.1	MsgId	Message Identification	[1..1]	35	M
1.2	CreDtTm	Creation Date Time	[1..1]	19	M
1.127	Assgnr	Assigner	[1..1]		M
1.171	Agt	Agent	[1..1]		M
1.172	FinInstnId	Financial Institution Identification	[1..1]		M
1.174	ClrSysMmbld	Clearing System Member Identification	[1..1]		M
1.178	Mmbld	Member Identification	[1..1]	9	M
1.211	Assgne	Assignee	[1..1]		M
1.255	Agt	Agent	[1..1]		M
1.256	FinInstnId	Financial Institution Identification	[1..1]		M
1.258	ClrSysMmbld	Clearing System Member Identification	[1..1]		M
1.262	Mmbld	Member Identification	[1..1]	9	M
2.0	OrgnlTxRef	Original Transaction Reference	[1..1]		M
2.1	MsgId	Message Identification	[1..1]	35	M
2.2	MsgNmId	Message Name Identification	[1..1]	35	M
2.3	CreDtTm	Creation Date Time	[1..1]	19	M
2.4	OrgnlTx	Original Transaction	[1..1]		M
2.5	InstrId	Instruction Identification	[1..1]	35	M
2.6	EndToEndId	End To End Identification	[1..1]	35	M
2.7	Txid	Transaction Identification	[1..1]	35	M
3.0	Mod	Modification	[1..1]		M
3.1	Id	Identification	[1..1]	35	M
3.2	OrgnlPtyAndAcctId	Original Party And Account Identification	[0..1]		O
3.46	Acct	Account	[1..1]		M
3.48	Othr	Other	[1..1]		M
3.49	Id	Identification	[1..1]	34	M
3.54	Agt	Agent	[1..1]		M
3.55	FinInstnId	Financial Institution Identification	[1..1]		M
3.57	ClrSysMmbld	Clearing System Member Identification	[1..1]		M
3.61	Mmbld	Member Identification	[1..1]	9	M
3.94	UpdtdPtyAndAcctId	Updated Party And Account Identification	[1..1]		M
3.138	Acct	Account	[1..1]		M
3.140	Othr	Other	[1..1]		M
3.141	Id	Identification	[1..1]	34	M
3.146	Agt	Agent	[1..1]		M
3.147	FinInstnId	Financial Institution Identification	[1..1]		M
3.149	ClrSysMmbld	Clearing System Member Identification	[1..1]		M
3.153	Mmbld	Member Identification	[1..1]	9	M
3.186	AddtlInf	Additional Information	[0..1]	140	O

14.1.3 Detail Message Field Description

Element	Details
IdModAdvc	<p>Name: Identification Modification Advice V02</p> <p>Product Usage: This message is used to report tokenized account credentials back to a sending participant, when the sending participant has used the account number in the clear and a token exists for the destination account.</p> <p>XML Tag: <IdModAdvc></p> <p>Occurrence: [1..1]</p>
INDEX: 1.0 IdModAdvc +Assgnmt	<p>Name: Assignment</p> <p>ISO Description: Identifies the identification assignment.</p> <p>XML Tag: <Assgnmt></p> <p>Occurrence: [1..1]</p>
INDEX: 1.1 IdModAdvc +Assgnmt ++MsgId	<p>Name: Message Identification</p> <p>ISO Description: Point to point reference, as assigned by the assigner, and sent to the next party in the chain to unambiguously identify the message.</p> <p>Usage: The assigner has to make sure that MessageIdentification is unique per assignee for a pre-agreed period.</p> <p>Product Usage: Assigned by RTP to uniquely identify the message.</p> <p>XML Tag: <MsgId></p> <p>Occurrence: [1..1]</p> <p>Length: 35</p> <p>Example: M20181219990000001T1HRRF0000000026</p>
INDEX: 1.2 IdModAdvc +Assgnmt ++CreDtTm	<p>Name: Creation Date Time</p> <p>ISO Description: Date and time at which the identification assignment was created.</p> <p>Product Usage: The date and time this Advice was created.</p> <p>XML Tag: <CreDtTm></p> <p>Occurrence: [1..1]</p> <p>Format: YYYY-MM-DDThh:mm:ss</p> <p>Length: 19</p> <p>Note(s): The date is required to be set to Eastern Time (ET).</p> <p>Example: 2017-11-12T10:09:33</p>
INDEX: 1.127 IdModAdvc +Assgnmt	<p>Name: Assigner</p> <p>ISO Description: Party that assigns the identification assignment to another party. This is also the sender of the message.</p>

Element	Details
++Assgnr	<p>XML Tag: <Assgnr> Occurrence: [1..1]</p>
INDEX: 1.171	Name: Agent
IdModAdvc	ISO Description: Identification of a financial institution.
+Assgnmt	XML Tag: <Agt>
++Assgnr	Occurrence: [1..1]
+++Agt	
INDEX: 1.172	Name: Financial Institution Identification
IdModAdvc	ISO Description: Unique and unambiguous identification of a financial institution, as assigned under an internationally recognised or proprietary identification scheme.
+Assgnmt	XML Tag: <FinInstnId>
++Assgnr	Occurrence: [1..1]
+++Agt	
++++FinInstnId	
INDEX: 1.174	Name: Clearing System Member Identification
IdModAdvc	ISO Description: Information used to identify a member within a clearing system.
+Assgnmt	XML Tag: <ClrSysMmbld>
++Assgnr	Occurrence: [1..1]
+++Agt	
++++FinInstnId	
+++++ClrSysMmbld	
INDEX: 1.178	Name: Member Identification
IdModAdvc	ISO Description: Identification of a member of a clearing system.
+Assgnmt	Product Usage: Identification of RTP.
++Assgnr	XML Tag: <Mmbld>
+++Agt	Occurrence: [1..1]
++++FinInstnId	Format: 9 character Routing and Transit Number identifying RTP.
+++++ClrSysMmbld	Length: 9
+++++Mmbld	Example: 990000001
INDEX: 1.211	Name: Assignee
IdModAdvc	ISO Description: Party that the identification assignment is assigned to. This is also the receiver of the message.
+Assgnmt	XML Tag: <Assgne>
++Assgne	Occurrence: [1..1]

Element	Details
INDEX: 1.255 IdModAdv +Assgnmt ++Assgne +++Agt	Name: Agent ISO Description: Identification of a financial institution. XML Tag: <Agt> Occurrence: [1..1]
INDEX: 1.256 IdModAdv +Assgnmt ++Assgne +++Agt ++++FinInstnId	Name: Financial Institution Identification ISO Description: Unique and unambiguous identification of a financial institution, as assigned under an internationally recognised or proprietary identification scheme. XML Tag: <FinInstnId> Occurrence: [1..1]
INDEX: 1.258 IdModAdv +Assgnmt ++Assgne +++Agt ++++FinInstnId +++++ClrSysMmbld	Name: Clearing System Member Identification ISO Description: Information used to identify a member within a clearing system. XML Tag: <ClrSysMmbld> Occurrence: [1..1]
INDEX: 1.262 IdModAdv +Assgnmt ++Assgne +++Agt ++++FinInstnId +++++ClrSysMmbld ++++++Mmbld	Name: Member Identification ISO Description: Identification of a member of a clearing system. Product Usage: The 9 character Routing and Transit Number of the Participant who initiated the original Credit Transfer or Request for Payment. XML Tag: <Mmbld> Occurrence: [1..1] Format: 9 character Routing and Transit Number (alphabetic characters may be present) Length: 9 Rule(s): Member Identification must be valid 9 character Routing and Transit Number. Reason Code(s): Reject with Message Status Report (pacs.002) if : <ul style="list-style-type: none"> - Routing and Transit number is not supported in RTP (reason code 'RC04') - Routing and Transit number is not authorized to receive this specific message (reason code 'AG01') - agent is signed off (reason code '9910') - agent is suspended (reason code '9947') - receiver connection is not available (reason code '9912') Example: 021200201

Element	Details
INDEX: 2.0 IdModAdv +OrgnlTxRef	<p>Name: Original Transaction Reference</p> <p>ISO Description: Provides reference information on the original message.</p> <p>XML Tag: <OrgnlTxRef></p> <p>Occurrence: [1..1]</p>
INDEX: 2.1 IdModAdv +OrgnlTxRef ++MsgId	<p>Name: Message Identification</p> <p>ISO Description: Point to point reference, as assigned by the original instructing party, to unambiguously identify the original message.</p> <p>Product Usage: The Original Message ID of the Credit Transfer (pacs.008) or Request for Payment (pain.013)</p> <p>XML Tag: <MsgId></p> <p>Occurrence: [1..1]</p> <p>Format: Expected format: MYYYYMMDDbbbbbbbbbbBAAAnnnnnnnnn Pos. 01-01 – Prefix ‘M’ Pos. 02-09 - File creation date in format YYYYYMMDD Pos. 10-20 - Participant ID (11 characters) Pos. 21-21 - Message generation source (“B” if generated by a Participant) Pos. 22-24 - Discretionary bank field (3 digit alpha numeric that can be used to serialize, identify specific systems, etc.) Pos. 25-35 - Message serial number (11 numeric characters)</p> <p>Length: 35</p> <p>Note(s): This format is not validated by the system, it is an example format only</p> <p>Example: M2017111202120020101BTRF0000000011</p>
INDEX: 2.2 IdModAdv +OrgnlTxRef ++MsgNmId	<p>Name: Message Name Identification</p> <p>ISO Description: Specifies the original message name identifier to which the message refers.</p> <p>Product Usage: Specifies the type of the original message (pacs.008 or pain.013), to which this Advice for Token Identification (acmt.022) message is a response.</p> <p>XML Tag: <MsgNmId></p> <p>Occurrence: [1..1]</p> <p>Length: 35</p> <p>Example: pacs.008.001.08</p>
Permitted Codes	
	<p>pacs.008.001.08 Credit Transfer - V08</p> <p>pain.013.001.07 Creditor Payment Activation Request (Request for Payment) - V07</p>
INDEX: 2.3	<p>Name: Creation Date Time</p>

Element	Details
IdModAdv +OrgnITxRef ++CreDtTm	<p>ISO Description: Date and time at which the original message was created.</p> <p>Product Usage: The Creation Date Time from the original Credit Transfer (pacs.008) or Request for Payment (pain.013)</p> <p>XML Tag: <CreDtTm></p> <p>Occurrence: [1..1]</p> <p>Format: YYYY-MM-DDThh:mm:ss</p> <p>Length: 19</p> <p>Note(s): The date is required to be set to Eastern Time (ET).</p> <p>Example: 2017-11-12T10:05:00</p>
<p>INDEX: 2.4</p> IdModAdv +OrgnITxRef ++OrgnITx	<p>Name: Original Transaction</p> <p>ISO Description: Provides reference information to the original transaction.</p> <p>XML Tag: <OrgnITx></p> <p>Occurrence: [1..1]</p>
<p>INDEX: 2.5</p> IdModAdv +OrgnITxRef ++OrgnITx +++InstrId	<p>Name: Instruction Identification</p> <p>ISO Description: Unique identification, as assigned by an instructing party for an instructed party, to unambiguously identify the instruction.</p> <p>Usage: The instruction identification is a point to point reference that can be used between the instructing party and the instructed party to refer to the individual instruction. It can be included in several messages related to the instruction.</p> <p>Product Usage: The Instruction Identification of the Credit Transfer (pacs.008) or the Payment Information Identification of the Request for Payment (pain.013) for which this message is the response.</p> <p>XML Tag: <InstrId></p> <p>Occurrence: [1..1]</p> <p>Format: Expected format: YYYYMMDDbbbbbbbbbbBAAAAAnnnnnnnnnnn Pos. 01-08 - File creation date in format YYYYMMDD Pos. 09-19 - Participant ID (11 characters) Pos. 20-20 - Message generation source ("B" if generated by a Participant) Pos. 21-24 - Discretionary bank field (4 digit alpha numeric that can be used to serialize, identify specific systems, etc.) Pos. 25-35 - Message serial number (11 numeric characters)</p> <p>Length: 35</p> <p>Note(s): This format is not structurally validated by the system, it is used to validate the relation to the original message for which this is the response.</p> <p>Example: 2017111202120020101BSTRF00000000011</p>

Element	Details
INDEX: 2.6 IdModAdv +OrgnITxRef ++OrgnITx +++EndToEndId	<p>Name: End To End Identification</p> <p>ISO Description: Unique identification, as assigned by the initiating party, to unambiguously identify the transaction. This identification is passed on, unchanged, throughout the entire end-to-end chain.</p> <p>Usage: The end-to-end identification can be used for reconciliation or to link tasks relating to the transaction. It can be included in several messages related to the transaction.</p> <p>Usage: In case there are technical limitations to pass on multiple references, the end-to-end identification must be passed on throughout the entire end-to-end chain.</p> <p>Product Usage: The identifier assigned by the initiating party (i.e. the person or organisation submitting the payment instruction), to uniquely identify the transaction. This is the customer reference assigned to the transaction. The E2E identification must be passed on throughout the entire payment chain without being changed.</p> <p>XML Tag: <EndToEndId></p> <p>Occurrence: [1..1]</p> <p>Length: 35</p> <p>Note(s): This is mandatory in ISO and is not validated by the system. This is mandatory in ISO and is not validated by the system. The end-to-end identification can be used by the end users for reconciliation or to link tasks relating to the transaction. It can be included in several messages related to the transaction.</p> <p>Example: E2E-Ref001</p>
INDEX: 2.7 IdModAdv +OrgnITxRef ++OrgnITx +++TxId	<p>Name: Transaction Identification</p> <p>ISO Description: Unique identification, as assigned by the first instructing agent, to unambiguously identify the transaction that is passed on, unchanged, throughout the entire interbank chain.</p> <p>Usage: The transaction identification can be used for reconciliation, tracking or to link tasks relating to the transaction on the interbank level.</p> <p>Usage: The instructing agent has to make sure that the transaction identification is unique for a pre-agreed period.</p> <p>Product Usage: The Transaction ID from the original Credit Transfer (pacs.008) or the Payment Information Identification from the original Request for Payment (pain.013) message.</p> <p>XML Tag: <TxId></p> <p>Occurrence: [1..1]</p> <p>Length: 35</p> <p>Note(s): This format is not validated by the system, it is an example format only</p> <p>Example: 2017111202120020101BSRFP00000000013</p>

Element	Details
INDEX: 3.0 IdModAdv +Mod	<p>Name: Modification</p> <p>ISO Description: Information concerning the identification data that is advised to be modified.</p> <p>Product Usage: This element provides the information about the correct usage of the Secure Token Exchange (STE) in case of Payee Standing Order to deliver a token for subsequent usage.</p> <p>XML Tag: <Mod></p> <p>Occurrence: [1..1]</p>
INDEX: 3.1 IdModAdv +Mod ++Id	<p>Name: Identification</p> <p>ISO Description: Unique identification, as assigned by a sending party, to unambiguously identify the party and account identification information group within the message.</p> <p>Product Usage: Assigned by RTP to uniquely identify the modification</p> <p>XML Tag: <Id></p> <p>Occurrence: [1..1]</p> <p>Length: 35</p> <p>Example: 20181219990000001T1HRRF000000000026</p>
INDEX: 3.2 IdModAdv +Mod ++OrgnPtyAndAcctId	<p>Name: Original Party And Account Identification</p> <p>ISO Description: Provides party and/or account identification information as given in the original message.</p> <p>Product Usage: Original account detail information which initiated the advice response.</p> <p>XML Tag: <OrgnPtyAndAcctId></p> <p>Occurrence: [0..1]</p>
INDEX: 3.46 IdModAdv +Mod ++OrgnPtyAndAcctId +++Acct	<p>Name: Account</p> <p>ISO Description: Unambiguous identification of the account of a party.</p> <p>XML Tag: <Acct></p> <p>Occurrence: [1..1]</p>
INDEX: 3.48 IdModAdv +Mod ++OrgnPtyAndAcctId +++Acct ++++Othr	<p>Name: Other</p> <p>ISO Description: Unique identification of an account, as assigned by the account servicer, using an identification scheme.</p> <p>XML Tag: <Othr></p> <p>Occurrence: [1..1]</p>
INDEX: 3.49 IdModAdv	<p>Name: Identification</p> <p>ISO Description: Identification assigned by an institution.</p>

Element	Details
+Mod ++OrgnPtyAndAcctId +++Acct ++++Othr +++++Id	<p>Product Usage: Identification of the account used in the original Credit Transfer or Request for Payment, which was an account number in the clear.</p> <p>XML Tag: <Id></p> <p>Occurrence: [1..1]</p> <p>Length: 34</p> <p>Example: 12000194212199000</p>
INDEX: 3.54 IdModAdv +Mod ++OrgnPtyAndAcctId +++Agt	<p>Name: Agent</p> <p>ISO Description: Financial institution servicing an account for a party.</p> <p>XML Tag: <Agt></p> <p>Occurrence: [1..1]</p>
INDEX: 3.55 IdModAdv +Mod ++OrgnPtyAndAcctId +++Agt ++++FinInstnId	<p>Name: Financial Institution Identification</p> <p>ISO Description: Unique and unambiguous identification of a financial institution, as assigned under an internationally recognised or proprietary identification scheme.</p> <p>XML Tag: <FinInstnId></p> <p>Occurrence: [1..1]</p>
INDEX: 3.57 IdModAdv +Mod ++OrgnPtyAndAcctId +++Agt ++++FinInstnId +++++ClrSysMmbld	<p>Name: Clearing System Member Identification</p> <p>ISO Description: Information used to identify a member within a clearing system.</p> <p>XML Tag: <ClrSysMmbld></p> <p>Occurrence: [1..1]</p>
INDEX: 3.61 IdModAdv +Mod ++OrgnPtyAndAcctId +++Agt ++++FinInstnId +++++ClrSysMmbld +++++Mmbld	<p>Name: Member Identification</p> <p>ISO Description: Identification of a member of a clearing system.</p> <p>Product Usage: Routing and Transit number of the Participant that received the original Credit Transfer or Request for Payment message.</p> <p>XML Tag: <Mmbld></p> <p>Occurrence: [1..1]</p> <p>Format: 9 character Routing and Transit Number (alphabetic characters may be present)</p> <p>Length: 9</p> <p>Example: 011400223</p>

Element	Details
INDEX: 3.94 IdModAdv +Mod ++UpdtdPtyAndAcctId	Name: Updated Party And Account Identification ISO Description: Provides updated party and/or account identification information. Product Usage: Modified account detail information for the tokenized account. XML Tag: <UpdtdPtyAndAcctId> Occurrence: [1..1]
INDEX: 3.138 IdModAdv +Mod ++UpdtdPtyAndAcctId +++Acct	Name: Account ISO Description: Unambiguous identification of the account of a party. XML Tag: <Acct> Occurrence: [1..1]
INDEX: 3.140 IdModAdv +Mod ++UpdtdPtyAndAcctId +++Acct ++++Othr	Name: Other ISO Description: Unique identification of an account, as assigned by the account servicer, using an identification scheme. XML Tag: <Othr> Occurrence: [1..1]
INDEX: 3.141 IdModAdv +Mod ++UpdtdPtyAndAcctId +++Acct ++++Othr +++++Id	Name: Identification ISO Description: Identification assigned by an institution. Product Usage: Identification of the tokenised account number. XML Tag: <Id> Occurrence: [1..1] Length: 34 Example: 12000194212199000
INDEX: 3.146 IdModAdv +Mod ++UpdtdPtyAndAcctId +++Agt	Name: Agent ISO Description: Financial institution servicing an account for a party. XML Tag: <Agt> Occurrence: [1..1]
INDEX: 3.147 IdModAdv +Mod ++UpdtdPtyAndAcctId +++Agt	Name: Financial Institution Identification ISO Description: Unique and unambiguous identification of a financial institution, as assigned under an internationally recognised or proprietary identification scheme. XML Tag: <FinInstnId>

Element	Details
++++FinInstnId INDEX: 3.149 IdModAdvc +Mod ++UpdtdPtyAndAcctId +++Agt ++++FinInstnId +++++ClrSysMmbld	Occurrence: [1..1] Name: Clearing System Member Identification ISO Description: Information used to identify a member within a clearing system. XML Tag: <ClrSysMmbld> Occurrence: [1..1]
INDEX: 3.153 IdModAdvc +Mod ++UpdtdPtyAndAcctId +++Agt ++++FinInstnId +++++ClrSysMmbld +++++Mmbld	Name: Member Identification ISO Description: Identification of a member of a clearing system. Product Usage: Identification of the Routing and Transit Number that should replace any stored credential and be used for future transactions. This may or may not be different from the Original Party and Account Identification / Agent / Member ID. XML Tag: <Mmbld> Occurrence: [1..1] Format: 9 character Routing and Transit Number (alphabetic characters may be present) Length: 9 Example: 011400223
INDEX: 3.186 IdModAdvc +Mod ++AddtlInf	Name: Additional Information ISO Description: Additional information, in free text form, to complement the modification information. XML Tag: <AddtlInf> Occurrence: [0..1] Length: 140

15 MESSAGE STRUCTURE SPECIFICATION FI TO FI CREDIT TRANSFER

Note that the pacs.009.001.08 message type is reserved for future use.

15.1 Credit Transfer Message – pacs.009.001.08

This chapter defines the standard product message formats used by the TCH Real Time Payment system (RTP) for sending and receiving Financial Institution to Financial Institution Credit Transfer messages, between the RTP and Participants using the System.

This chapter covers the following:

- The message structure of the pacs.009 message used in RTP
- The required data types and usage rules of the data fields in these messages

15.1.1 Scope

An Instructing Agent will use the “FI To FI Customer Credit Transfer Message” to initiate a FI to FI Credit Transfer. This message is sent by a Debtor FI to a Creditor FI through RTP.

It should be noted that in circumstances when the Debtor FI needs to send a Repeat Credit Transfer Request (i.e. the Debtor FI does not receive a response to their original pacs.009 message from the System and sends a repeat message to RTP), the message payload is identical to the original pacs.009 message but the Copy Duplicate <CpyDplct> data element is added with a value of “DUPL” in the Business Application Header.

Response to the FI to FI Credit Transfer (pacs.009) is provided via the Message Status Report (pacs.002). Response can either be Accepted or Rejected.

15.1.2 Message Structure Description

Index	XML Tag	Element Name	Occurr.	Length	M/O/C
	FICdtTrf	Financial Institution Credit Transfer V08	[1..1]		M
1.0	GrpHdr	Group Header	[1..1]		M
1.1	MsgId	Message Identification	[1..1]	35	M
1.2	CreDtTm	Creation Date Time	[1..1]	19	M
1.4	NbOfTxs	Number Of Transactions	[1..1]	1	M
1.6	TtlIntrBkSttlmAmt	Total Interbank Settlement Amount	[1..1]	18	M
1.7	Ccy	Currency	[required]	3	M
1.8	IntrBkSttlmDt	Interbank Settlement Date	[1..1]	10	M
1.9	SttlmInf	Settlement Information	[1..1]		M
1.10	SttlmMtd	Settlement Method	[1..1]	4	M
1.30	ClrSys	Clearing System	[1..1]		M
1.31	Cd	Code	[1..1]	3	M
2.0	CdtTrfTxInf	Credit Transfer Transaction Information	[1..1]		M
2.1	PmtId	Payment Identification	[1..1]		M
2.2	InstrId	Instruction Identification	[1..1]	35	M
2.3	EndToEndId	End To End Identification	[1..1]	35	M
2.4	TxId	Transaction Identification	[1..1]	35	M
2.6	ClrSysRef	Clearing System Reference	[0..1]	35	O
2.7	PmtTpInf	Payment Type Information	[1..1]		M
2.10	SvcLvl	Service Level	[1..1]		M
2.11	Cd	Code	[1..1]	4	M
2.19	IntrBkSttlmAmt	Interbank Settlement Amount	[1..1]	18	M
2.20	Ccy	Currency	[required]	3	M
2.280	InstgAgt	Instructing Agent	[1..1]		M
2.281	FinInstnId	Financial Institution Identification	[1..1]		M
2.283	ClrSysMmbld	Clearing System Member Identification	[1..1]		M
2.287	Mmbld	Member Identification	[1..1]	9	M
2.344	InstdAgt	Instructed Agent	[1..1]		M
2.345	FinInstnId	Financial Institution Identification	[1..1]		M
2.347	ClrSysMmbld	Clearing System Member Identification	[1..1]		M
2.351	Mmbld	Member Identification	[1..1]	9	M
2.721	Dbtr	Debtor	[1..1]		M
2.722	FinInstnId	Financial Institution Identification	[1..1]		M
2.724	ClrSysMmbld	Clearing System Member Identification	[1..1]		M
2.728	Mmbld	Member Identification	[1..1]	9	M
2.785	DbtrAcct	Debtor Account	[0..1]		M
2.786	Id	Identification	[1..1]		M
2.788	Othr	Other	[1..1]		M
2.789	Id	Identification	[1..1]	34	M
2.970	Cdtr	Creditor	[1..1]		M
2.971	FinInstnId	Financial Institution Identification	[1..1]		M
2.973	ClrSysMmbld	Clearing System Member Identification	[1..1]		M
2.977	Mmbld	Member Identification	[1..1]	9	M
2.1034	CdtrAcct	Creditor Account	[1..1]		M
2.1035	Id	Identification	[1..1]		M
2.1037	Othr	Other	[1..1]		M
2.1038	Id	Identification	[1..1]	34	M

Index	XML Tag	Element Name	Occurr.	Length	M/O/C
2.1126	RmtInf	Remittance Information	[0..1]		O
2.1127	Ustrd	Unstructured	[0..1]	140	O

15.1.3 Detail Message Field Description

Element	Details
FICdtTrf	<p>Name: Financial Institution Credit Transfer V08</p> <p>Product Usage: The Financial Institution Credit Transfer (pacs.009) is only used for Inter-FI transfer without any customer payment request underneath. This message holds only information about the Instructing / Instructed Agent as also about Creditor FI and Debtor FI in the Transaction Information element under Creditor / Debtor.</p> <p>XML Tag: <FICdtTrf></p> <p>Occurrence: [1..1]</p>
INDEX: 1.0 FICdtTrf +GrpHdr	<p>Name: Group Header</p> <p>ISO Description: Set of characteristics shared by all individual transactions included in the message.</p> <p>XML Tag: <GrpHdr></p> <p>Occurrence: [1..1]</p>
INDEX: 1.1 FICdtTrf +GrpHdr ++MsgId	<p>Name: Message Identification</p> <p>ISO Description: Point to point reference, as assigned by the instructing party, and sent to the next party in the chain to unambiguously identify the message. Usage: The instructing party has to make sure that MessageIdentification is unique per instructed party for a pre-agreed period.</p> <p>Product Usage: Assigned by the Instructing Agent (Debtor FI) to uniquely identify the pacs.009 message. The Instructing Agent (Debtor FI) is responsible for ensuring the uniqueness of this message identification.</p> <p>XML Tag: <MsgId></p> <p>Occurrence: [1..1]</p> <p>Format: Format: MYYYYMMDDbbbbbbbbbbBAAAnnnnnnnnn Pos. 01-01 - Prefix 'M' Pos. 02-09 - File creation date in format YYYYMMDD Pos. 10-20 - Participant ID (11 characters) Pos. 21-21 - Message generation source ("B" if generated by a Participant) Pos. 22-24 - Discretionary bank field (3 digit alpha numeric that can be used to serialize, identify specific systems, etc.) Pos. 25-35 - Message serial number (11 numeric characters)</p> <p>RegEx: M[0-9]{4}(((01 03 05 07 08 10 12)((0[1-9]) ([1-2][0-9]) (3[0-1]))) ((04 06 09 11)((0[1-9]) ([1-2][0-9]) 30)) ((02)((0[1-9]) ([1-2][0-9])))))[A-Z0-9]{11}.*</p> <p>Length: 35</p> <p>Rule(s): The Message Identification structure position 01 to 20 is validated for structural alignment according to the format specification.</p> <p>Reason Code(s): In case of structural failure the RTP Network will reject with code '650' in Administration Advice message (admi.002).</p> <p>Note(s): The Message Identifier in the message received by RTP passes untouched by RTP to the Instructed Agent (Creditor FI).</p>

Element	Details
	<p>Note that the message identification for a FI Credit Transfer (pacs.009) is different than the message identification generated for the corresponding Message Status Report (pacs.002) message. This format is partial validated by the system, it is an example format only.</p> <p>Example: M2017111202120020101BTRF00000000011</p>
<p>INDEX: 1.2 FICdtTrf +GrpHdr ++CreDtTm</p>	<p>Name: Creation Date Time</p> <p>ISO Description: Date and time at which the message was created.</p> <p>XML Tag: <CreDtTm></p> <p>Occurrence: [1..1]</p> <p>Format: YYYY-MM-DDThh:mm:ss</p> <p>Length: 19</p> <p>Rule(s): Creation Date Time must be within 1 calendar day of the system's date/time.</p> <p>Reason Code(s): Reject with code 'DT04' in pacs.002 for failing validation.</p> <p>Note(s): The date is required to be set to Eastern Time (ET).</p> <p>Example: 2017-11-12T10:05:00</p>
<p>INDEX: 1.4 FICdtTrf +GrpHdr ++NbOfTxs</p>	<p>Name: Number Of Transactions</p> <p>ISO Description: Number of individual transactions contained in the message.</p> <p>XML Tag: <NbOfTxs></p> <p>Occurrence: [1..1]</p> <p>RegEx: [1]{1,1}</p> <p>Length: 1</p> <p>Rule(s): Expected value is '1'.</p> <p>Reason Code(s): The RTP Network will reject with code '650' in Administration Advice message (admi.002).</p> <p>Note(s): Only one FI Credit Transfer per pacs.009 message is permitted.</p> <p>Example: 1</p>
<p>INDEX: 1.6 FICdtTrf +GrpHdr ++TtlIntrBkSttlmAmt</p>	<p>Name: Total Interbank Settlement Amount</p> <p>ISO Description: Total amount of money moved between the instructing agent and the instructed agent.</p> <p>Product Usage: The total amount that the Debtor FI will be obligated to pay the Creditor FI upon the Creditor FI's acceptance of the payment instructed by the FI Credit Transfer (pacs.009) message.</p> <p>XML Tag: <TtlIntrBkSttlmAmt></p> <p>Occurrence: [1..1]</p>

Element	Details
	<p>Rule(s): The number of fractional digits (or minor unit of currency) must comply with ISO 4217. Note: The decimal separator is a dot.</p> <p>Reason Code(s): In case for structural validation failure, the RTP Network will reject with code '650' in Administration Advice message (admi.002) if:</p> <ul style="list-style-type: none"> - The value of the request is less than or equal to zero - The value is greater than supported by the ISO definition for the maximum number of digits - The currency code is not valid - The number of decimal digits is greater than the specified number of digits as defined by the ISO4217 definition <p>Reject with code 'AM12' in Message Status Report (pacs.002) if Total Interbank Settlement Amount is not equal to Interbank Settlement Amount.</p> <p>Note(s): The maximum decimal digits allowed are two.</p> <p>Example: 525.25</p> <p>Frac Digits: 2</p> <p>Total Digits: 18</p>
<p>INDEX: 1.7</p>	<p>Name: Currency</p> <p>ISO Description: A code allocated to a currency by a Maintenance Agency under an international identification scheme as described in the latest edition of the international standard ISO 4217 "Codes for the representation of currencies and funds".</p> <p>XML Tag: <Ccy></p> <p>RegEx: [A-Z]{3,3}</p> <p>Length: 3</p> <p>Rule(s): Only Currency supported by RTP is US Dollar</p> <p>Reason Code(s): Reject with code 'AM11' in Message Status Report (pacs.002) if the currency code is not supported by RTP.</p> <p>Example: USD</p> <p>Permitted Codes</p> <p>USD US Dollar</p>
<p>INDEX: 1.8</p> <p>FICdtTrf +GrpHdr ++IntrBkSttlmDt</p>	<p>Name: Interbank Settlement Date</p> <p>ISO Description: Date on which the amount of money ceases to be available to the agent that owes it and when the amount of money becomes available to the agent to which it is due.</p> <p>Product Usage: Date of the Reconciliation Window within which this transaction is processed and settled.</p> <p>If a message starts being processed at the end of a Reconciliation Window and during processing crosses into another Reconciliation Window, the date of the Reconciliation Window during which the process started will be used.</p> <p>XML Tag: <IntrBkSttlmDt></p>

Element	Details
	<p>Occurrence: [1..1]</p> <p>Format: YYYY-MM-DD</p> <p>Length: 10</p> <p>Rule(s): Must be a valid reconciliation window date. Date must be the date of the Reconciliation Window within which the transaction is processed.</p> <p>Reason Code(s): The RTP Network will reject with code '650' in Administration Advice message (admi.002) in case of invalid date structure</p> <p>Note(s): According to the ISO 200222 Standards the Interbank Settlement Date is a mandatory element. In case the provided date of the Reconciliation Window in the first message from the Debtor FI is not identical to the date the actual Reconciliation Window (used in the System) the provided date will be overwritten by the RTP System with the actual date.</p> <p>Example: 2017-11-12</p>
<p>INDEX: 1.9</p> <p>FICdtTrf +GrpHdr ++SttlmInf</p>	<p>Name: Settlement Information</p> <p>ISO Description: Specifies the details on how the settlement of the transaction(s) between the instructing agent and the instructed agent is completed.</p> <p>Product Usage: Specifies the means of settlement for the FI Credit Transfer. For RTP settlement will always be effectuated by RTP.</p> <p>XML Tag: <SttlmInf></p> <p>Occurrence: [1..1]</p>
<p>INDEX: 1.10</p> <p>FICdtTrf +GrpHdr ++SttlmInf +++SttlmMtd</p>	<p>Name: Settlement Method</p> <p>ISO Description: Method used to settle the (batch of) payment instructions.</p> <p>Product Usage: Method used to settle the single FI Credit Transfer processed through RTP.</p> <p>XML Tag: <SttlmMtd></p> <p>Occurrence: [1..1]</p> <p>Length: 4</p> <p>Rule(s): Expected value of 'CLRG'</p> <p>Reason Code(s): The RTP Network will reject with code '650' in Administration Advice message (admi.002) if the Settlement Method is not valid.</p> <p>Note(s): Only 'CLRG' is allowed per scheme definition.</p> <p>Example: CLRG</p>
	<p>Permitted Codes</p> <p>CLRG ClearingSystem</p>

Element	Details
INDEX: 1.30 FICdtTrf +GrpHdr ++SttImlnf +++ClrSys	<p>Name: Clearing System</p> <p>ISO Description: Specification of a pre-agreed offering between clearing agents or the channel through which the payment instruction is processed.</p> <p>Product Usage: Identification of the Real Time Clearing system for RTP.</p> <p>XML Tag: <ClrSys></p> <p>Occurrence: [1..1]</p> <p>Note(s): Only Element Code available.</p>
INDEX: 1.31 FICdtTrf +GrpHdr ++SttImlnf +++ClrSys ++++Cd	<p>Name: Code</p> <p>ISO Description: Infrastructure through which the payment instruction is processed, as published in an external clearing system identification code list.</p> <p>Product Usage: The clearing channel through which the FI Credit Transfer instruction is processed.</p> <p>XML Tag: <Cd></p> <p>Occurrence: [1..1]</p> <p>Length: 3</p> <p>Rule(s): The identifier of the Clearing House is used for FI Credit Transfer.</p> <p>Reason Code(s): The RTP Network will reject with code '650' in Administration Advice message (admi.002) if the Clearing System Code is not valid.</p> <p>Note(s): Only 'TCH' as clearing code is allowed.</p> <p>Example: TCH</p>
Permitted Codes	
TCH US - The Clearing House Real Time Payment System (RTP)	
INDEX: 2.0 FICdtTrf +CdtTrfTxInf	<p>Name: Credit Transfer Transaction Information</p> <p>ISO Description: Set of elements providing information specific to the individual credit transfer(s).</p> <p>XML Tag: <CdtTrfTxInf></p> <p>Occurrence: [1..1]</p>
INDEX: 2.1 FICdtTrf +CdtTrfTxInf ++PmtId	<p>Name: Payment Identification</p> <p>ISO Description: Set of elements used to reference a payment instruction.</p> <p>XML Tag: <PmtId></p> <p>Occurrence: [1..1]</p>
INDEX: 2.2 FICdtTrf	<p>Name: Instruction Identification</p>

Element	Details
+CdtTrfTxInf ++PmtId +++InstrId	<p>ISO Description: Unique identification, as assigned by an instructing party for an instructed party, to unambiguously identify the instruction.</p> <p>Usage: The instruction identification is a point to point reference that can be used between the instructing party and the instructed party to refer to the individual instruction. It can be included in several messages related to the instruction.</p> <p>Product Usage: The Instruction Identifier is assigned by the Debtor FI to uniquely identify a single FI Credit Transfer within a pacs.009 throughout its existence within RTP. The Instruction ID is the unique identifier that is persisted in the transactional database as the primary means of subsequent reference for the Credit Transfer (i.e. for System Enquiries). The uniqueness of an instruction is determined by the Instruction Identification and is based on the format below. RTP will use the Instruction ID to perform a check for a duplicate transaction within the duplicate checking period and as a reference to the payment instruction in other non-payment messages (i.e. Payment Acknowledgment by Receiver, Request for Information, etc.).</p> <p>XML Tag: <InstrId></p> <p>Occurrence: [1..1]</p> <p>Format: Expected format: YYYYMMDDbbbbbbbbbbBAAAAnnnnnnnnnn Pos. 01-08 - File creation date in format YYYYMMDD Pos. 09-19 - Participant ID (11 characters) Pos. 20-20 - Message generation source ("B" if generated by a Participant) Pos. 21-24 - Discretionary bank field (4 digit alpha numeric that can be used to serialize, identify specific systems, etc.) Pos. 25-35 - Message serial number (11 numeric characters)</p> <p>RegEx: [0-9]{4}(((01 03 05 07 08 10 12)((0[1-9]) ([1-2][0-9]) (3[0-1]))) ((04 06 09 11)((0[1-9]) ([1-2][0-9]) 30)) ((02)((0[1-9]) ([1-2][0-9])))))[A-Z0-9]{11}.*</p> <p>Length: 35</p> <p>Rule(s): The Instruction Identification structure position 01 to 20 is validated for structural alignment according to the format specification.</p> <p>The Creation Date provided in the Instruction Identification must be in the date range +/- one day.</p> <p>The Participant ID provided in the Instruction Identification must be owned by the sender of the message.</p> <p>The Instruction Identification must be unique for a calendar day and is used to perform the duplicate message check.</p> <p>Reason Code(s): In case for structural validation failure, the RTP Network will reject with code '650' in Administration Advice message (admi.002).</p>

Element	Details
	<p>Reject with Message Status Report (pacs.002) if validation</p> <ul style="list-style-type: none"> - of Creation Date fails (reason code 'DT04') - of Participation ownership fails (reason code 'DS0H') - against duplication check occur (reason code 'DUPL') <p>Note(s): This format is partial validated by the system, it is an example format only</p> <p>Example: 2017111202120020101BSTRF00000000011</p>
<p>INDEX: 2.3</p> <p>FICdtTrf +CdtTrfTxInf ++PmtId +++EndToEndId</p>	<p>Name: End To End Identification</p> <p>ISO Description: Unique identification, as assigned by the initiating party, to unambiguously identify the transaction. This identification is passed on, unchanged, throughout the entire end-to-end chain.</p> <p>Usage: The end-to-end identification can be used for reconciliation or to link tasks relating to the transaction. It can be included in several messages related to the transaction.</p> <p>Usage: In case there are technical limitations to pass on multiple references, the end-to-end identification must be passed on throughout the entire end-to-end chain.</p> <p>Product Usage: The identifier assigned by the initiating party (i.e. Debtor FI), to uniquely identify the transaction. This is the Debtor FI's reference assigned to the transaction. The E2E identification must be passed on throughout the entire payment chain without being changed.</p> <p>XML Tag: <EndToEndId></p> <p>Occurrence: [1..1]</p> <p>Length: 35</p> <p>Note(s): The end-to-end identification can be used by the end users for reconciliation or to link tasks relating to the transaction. It can be included in several messages related to the transaction.</p> <p>Example: E2E-Ref001</p>
<p>INDEX: 2.4</p> <p>FICdtTrf +CdtTrfTxInf ++PmtId +++TxId</p>	<p>Name: Transaction Identification</p> <p>ISO Description: Unique identification, as assigned by the first instructing agent, to unambiguously identify the transaction that is passed on, unchanged, throughout the entire interbank chain.</p> <p>Usage: The transaction identification can be used for reconciliation, tracking or to link tasks relating to the transaction on the interbank level.</p> <p>Usage: The instructing agent has to make sure that the transaction identification is unique for a pre-agreed period.</p> <p>Product Usage: The unique identifier, assigned by the first instructing agent to unambiguously identify the transaction that is passed on unchanged throughout the entire interbank chain.</p> <p>It must be equal to the Instruction ID.</p>

Element	Details
	<p>XML Tag: <TxId></p> <p>Occurrence: [1..1]</p> <p>Format: equal to Instruction Identification</p> <p>Length: 35</p> <p>Note(s): This is a mandatory field based on the ISO Standards and must be populated. This format is not validated by the system, it is an example format only.</p> <p>Example: 2017111202120020101BSRFP00000000013</p>
<p>INDEX: 2.6</p> <p>FICdtTrf +CdtTrfTxInf ++PmtId +++ClrSysRef</p>	<p>Name: Clearing System Reference</p> <p>ISO Description: Unique reference, as assigned by a clearing system, to unambiguously identify the instruction.</p> <p>Product Usage: Identification of the Reconciliation Window within which this transaction is processed. The identification is supplied by RTP.</p> <p>XML Tag: <ClrSysRef></p> <p>Occurrence: [0..1]</p> <p>Length: 35</p> <p>Rule(s): Only present in messages from RTP to the Debtor FI and Creditor FI</p> <p>Reason Code(s): The RTP Network will reject with code '650' in Administration Advice message (admi.002) if XML parsing error occurs - otherwise this field is not checked on incoming messages.</p> <p>Example: 001</p>
<p>INDEX: 2.7</p> <p>FICdtTrf +CdtTrfTxInf ++PmtTpInf</p>	<p>Name: Payment Type Information</p> <p>ISO Description: Set of elements used to further specify the type of transaction.</p> <p>XML Tag: <PmtTpInf></p> <p>Occurrence: [1..1]</p>
<p>INDEX: 2.10</p> <p>FICdtTrf +CdtTrfTxInf ++PmtTpInf +++SvcLvl</p>	<p>Name: Service Level</p> <p>ISO Description: Agreement under which or rules under which the transaction should be processed.</p> <p>XML Tag: <SvcLvl></p> <p>Occurrence: [1..1]</p>
<p>INDEX: 2.11</p> <p>FICdtTrf +CdtTrfTxInf ++PmtTpInf +++SvcLvl</p>	<p>Name: Code</p> <p>ISO Description: Specifies a pre-agreed service or level of service between the parties, as published in an external service level code list.</p> <p>Product Usage: The Service level of the transaction. 'SDVA' means FI Credit Transfer must be executed with same day value to the creditor (for RTP this will be done in seconds).</p>

Element	Details
++++Cd	<p>XML Tag: <Cd></p> <p>Occurrence: [1..1]</p> <p>Length: 4</p> <p>Rule(s): Expected value of 'SDVA'</p> <p>Reason Code(s): The RTP Network will reject with code '650' in Administration Advice message (admi.002) if Service Level Code is not valid.</p> <p>Note(s): This is a mandatory ISO field required for the message type, but not used by RTP.</p> <p>Example: SDVA</p> <p>Permitted Codes</p> <p>SDVA SameDayValue</p>
<p>INDEX: 2.19</p> <p>FICdtTrf</p> <p>+CdtTrfTxInf</p> <p>++IntrBkSttlmAmt</p>	<p>Name: Interbank Settlement Amount</p> <p>ISO Description: Amount of money moved between the instructing agent and the instructed agent.</p> <p>Product Usage: The total amount that the Debtor FI will be obligated to pay the Creditor FI upon the Creditor FI's acceptance of the payment instructed by the FI Credit Transfer (pacs.009) message.</p> <p>XML Tag: <IntrBkSttlmAmt></p> <p>Occurrence: [1..1]</p> <p>Rule(s): Transaction is validated against:</p> <ul style="list-style-type: none"> - Payment Type Limit (STL) - Global Transaction Limit (SITL) - Net Position to ensure the transaction amount will not cause the Prefunded Balance to be exceeded <p>Total Interbank Settlement Amount must be equal to Interbank Settlement Amount.</p> <p>Reason Code(s): Reject with Message Status Report (pacs.002) code:</p> <ul style="list-style-type: none"> - 'AM04' if Net Position breaches Prefunded Balance <p>In case for structural validation failure, the RTP Network will reject with code '650' in Administration Advice message (admi.002) if:</p> <ul style="list-style-type: none"> - The value of the Credit Transfer amount is less than or equal to zero - The value of the Credit Transfer is greater than supported by the ISO definition for the maximum number of digits (total 18 digit) - The currency code is not valid (i.e. not USD) - The number of decimal digits is greater than the specified number of digits as defined by the ISO4217 definition <p>Reject with code 'AM12' in Message Status Report (pacs.002) if Total Interbank Settlement Amount is not equal to</p>

Element	Details
	<p>Interbank Settlement Amount.</p> <p>Note(s): RTP is only supporting USD and the maximum decimal digits allowed are two.</p> <p>Example: 525.25</p> <p>Frac Digits: 2</p> <p>Total Digits: 18</p>
<p>INDEX: 2.20</p>	<p>Name: Currency</p> <p>ISO Description: A code allocated to a currency by a Maintenance Agency under an international identification scheme as described in the latest edition of the international standard ISO 4217 "Codes for the representation of currencies and funds".</p> <p>XML Tag: <Ccy></p> <p>RegEx: [A-Z]{3,3}</p> <p>Length: 3</p> <p>Rule(s): Currency must be a currency that is supported by RTP (US Dollar).</p> <p>Reason Code(s): Reject with code 'AM11' in Message Status Report (pacs.002) if the currency code is not supported by RTP.</p> <p>Example: USD</p>
	<p>Permitted Codes</p>
	<p>USD US Dollar</p>
<p>INDEX: 2.280</p> <p>FICdtTrf +CdtTrfTxInf ++InstgAgt</p>	<p>Name: Instructing Agent</p> <p>ISO Description: Agent that instructs the next party in the chain to carry out the (set of) instruction(s).</p> <p>XML Tag: <InstgAgt></p> <p>Occurrence: [1..1]</p>
<p>INDEX: 2.281</p> <p>FICdtTrf +CdtTrfTxInf ++InstgAgt +++FinInstnId</p>	<p>Name: Financial Institution Identification</p> <p>ISO Description: Unique and unambiguous identification of a financial institution, as assigned under an internationally recognised or proprietary identification scheme.</p> <p>XML Tag: <FinInstnId></p> <p>Occurrence: [1..1]</p>
<p>INDEX: 2.283</p> <p>FICdtTrf +CdtTrfTxInf ++InstgAgt +++FinInstnId ++++ClrSysMmbld</p>	<p>Name: Clearing System Member Identification</p> <p>ISO Description: Information used to identify a member within a clearing system.</p> <p>XML Tag: <ClrSysMmbld></p> <p>Occurrence: [1..1]</p>

Element	Details
INDEX: 2.287 FICdtTrf +CdtTrfTxInf ++InstgAgt +++FinInstnId ++++ClrSysMmbld +++++Mmbld	<p>Name: Member Identification</p> <p>ISO Description: Identification of a member of a clearing system.</p> <p>Product Usage: Identification of the Debtor FI.</p> <p>XML Tag: <Mmbld></p> <p>Occurrence: [1..1]</p> <p>Format: 9 character Routing and Transit Number (alphabetic characters may be present)</p> <p>Length: 9</p> <p>Rule(s): Member Identification must be valid 9 character Routing and Transit Number.</p> <p>Reason Code(s): The RTP Network will reject with code '650' in Administration Advice message (admi.002) if Routing and Transit number is not supported in RTP database.</p> <p>Reject with Message Status Report (pacs.002) if:</p> <ul style="list-style-type: none"> - Routing and Transit number is different than the sending FI, not a valid Participant, or not authorized to send this specific message (reason code 'RC02') - agent is signed off (reason code '9934') - agent is suspended (reason code '9946') - the sender of the message is not authorized to submit message on behalf of this agent (reason code 'DSOH') <p>Note(s): The system validates that the participant indicated in the Instruction ID (positions 09-19) owns the Routing and Transit Number contained within this field.</p> <p>Example: 021200201</p>
INDEX: 2.344 FICdtTrf +CdtTrfTxInf ++InstdAgt	<p>Name: Instructed Agent</p> <p>ISO Description: Agent that is instructed by the previous party in the chain to carry out the (set of) instruction(s).</p> <p>XML Tag: <InstdAgt></p> <p>Occurrence: [1..1]</p>
INDEX: 2.345 FICdtTrf +CdtTrfTxInf ++InstdAgt +++FinInstnId	<p>Name: Financial Institution Identification</p> <p>ISO Description: Unique and unambiguous identification of a financial institution, as assigned under an internationally recognised or proprietary identification scheme.</p> <p>XML Tag: <FinInstnId></p> <p>Occurrence: [1..1]</p>
INDEX: 2.347 FICdtTrf +CdtTrfTxInf ++InstdAgt	<p>Name: Clearing System Member Identification</p> <p>ISO Description: Information used to identify a member within a clearing system.</p> <p>XML Tag: <ClrSysMmbld></p>

Element	Details
+++FinInstnId ++++ClrSysMmbld	Occurrence: [1..1]
INDEX: 2.351 FICdtTrf +CdtTrfTxInf ++InstdAgt +++FinInstnId ++++ClrSysMmbld ++++Mmbld	<p>Name: Member Identification</p> <p>ISO Description: Identification of a member of a clearing system.</p> <p>Product Usage: Identification of the Creditor FI.</p> <p>XML Tag: <Mmbld></p> <p>Occurrence: [1..1]</p> <p>Format: 9 character Routing and Transit Number (alphabetic characters may be present)</p> <p>Length: 9</p> <p>Rule(s): Member Identification must be valid 9 character Routing and Transit Number.</p> <p>Reason Code(s): Reject with Message Status Report (pacs.002) if : - Routing and Transit number is not supported in RTP (reason code 'RC04') - Routing and Transit number is not authorized to receive this specific message (reason code 'AG01') - agent is signed off (reason code '9910') - agent is suspended (reason code '9947') - Receiver connection is not available (reason code '9912')</p> <p>Example: 020010001</p>
INDEX: 2.721 FICdtTrf +CdtTrfTxInf ++Dbtr	<p>Name: Debtor</p> <p>ISO Description: Financial institution that owes an amount of money to the (ultimate) financial institutional creditor.</p> <p>XML Tag: <Dbtr></p> <p>Occurrence: [1..1]</p>
INDEX: 2.722 FICdtTrf +CdtTrfTxInf ++Dbtr +++FinInstnId	<p>Name: Financial Institution Identification</p> <p>ISO Description: Unique and unambiguous identification of a financial institution, as assigned under an internationally recognised or proprietary identification scheme.</p> <p>XML Tag: <FinInstnId></p> <p>Occurrence: [1..1]</p>
INDEX: 2.724 FICdtTrf +CdtTrfTxInf ++Dbtr +++FinInstnId ++++ClrSysMmbld	<p>Name: Clearing System Member Identification</p> <p>ISO Description: Information used to identify a member within a clearing system.</p> <p>XML Tag: <ClrSysMmbld></p> <p>Occurrence: [1..1]</p>

Element	Details
INDEX: 2.728 FICdtTrf +CdtTrfTxInf ++Dbtr +++FinInstnId ++++ClrSysMmbld +++++Mmbld	Name: Member Identification ISO Description: Identification of a member of a clearing system. Product Usage: Debtor FI identification (Routing and Transit Number) XML Tag: <Mmbld> Occurrence: [1..1] Format: 9 character Routing and Transit Number (alphabetic characters may be present) Length: 9 Rule(s): Member Identification must be valid 9 character Routing and Transit Number. Reason Code(s): Reject with Message Status Report (pacs.002) if Routing and Transit number - Is not supported in RTP database (reason code 'RC03') - Is not authorized to send this business message (reason code 'RC02') - Of Agent is signed-off (reason code '9934') - Of Agent is suspended (reason code '9946') - Of Agent is not owned by the Instructing Agent - participant check (reason code 'DS0H') Example: 021200201
INDEX: 2.785 FICdtTrf +CdtTrfTxInf ++DbtrAcct	Name: Debtor Account ISO Description: Unambiguous identification of the account of the debtor to which a debit entry will be made as a result of the transaction. XML Tag: <DbtrAcct> Occurrence: [0..1]
INDEX: 2.786 FICdtTrf +CdtTrfTxInf ++DbtrAcct +++Id	Name: Identification ISO Description: Unique and unambiguous identification for the account between the account owner and the account servicer. XML Tag: <Id> Occurrence: [1..1]
INDEX: 2.788 FICdtTrf +CdtTrfTxInf ++DbtrAcct +++Id ++++Othr	Name: Other ISO Description: Unique identification of an account, as assigned by the account servicer, using an identification scheme. XML Tag: <Othr> Occurrence: [1..1]
INDEX: 2.789 FICdtTrf	Name: Identification ISO Description: Identification assigned by an institution.

Element	Details
+CdtTrfTxInf ++DbtrAcct +++Id ++++Othr +++++Id	<p>XML Tag: <Id></p> <p>Occurrence: [1..1]</p> <p>Length: 34</p> <p>Rule(s): Account number must be valid and linked to the participant under Debtor Member Id.</p> <p>Reason Code(s): Reject with Message Status Report (pacs.002) if account number is not linked to the Participant with reason code 'AC02'.</p> <p>Example: 124900084713944</p>
INDEX: 2.970 FICdtTrf +CdtTrfTxInf ++Cdtr	<p>Name: Creditor</p> <p>ISO Description: Financial institution that receives an amount of money from the financial institutional debtor.</p> <p>XML Tag: <Cdtr></p> <p>Occurrence: [1..1]</p>
INDEX: 2.971 FICdtTrf +CdtTrfTxInf ++Cdtr +++FinInstnId	<p>Name: Financial Institution Identification</p> <p>ISO Description: Unique and unambiguous identification of a financial institution, as assigned under an internationally recognised or proprietary identification scheme.</p> <p>XML Tag: <FinInstnId></p> <p>Occurrence: [1..1]</p>
INDEX: 2.973 FICdtTrf +CdtTrfTxInf ++Cdtr +++FinInstnId ++++ClrSysMmbld	<p>Name: Clearing System Member Identification</p> <p>ISO Description: Information used to identify a member within a clearing system.</p> <p>XML Tag: <ClrSysMmbld></p> <p>Occurrence: [1..1]</p>
INDEX: 2.977 FICdtTrf +CdtTrfTxInf ++Cdtr +++FinInstnId ++++ClrSysMmbld +++++Mmbld	<p>Name: Member Identification</p> <p>ISO Description: Identification of a member of a clearing system.</p> <p>Product Usage: Creditor FI Identification (Routing and Transit Number)</p> <p>XML Tag: <Mmbld></p> <p>Occurrence: [1..1]</p> <p>Format: 9 character Routing and Transit Number (alphabetic characters may be present)</p> <p>Length: 9</p> <p>Rule(s): Member Identification must be valid 9 character Routing and Transit Number.</p> <p>Reason Code(s): Reject with Message Status Report (pacs.002) if Routing and Transit Number - Is not supported in RTP database (reason code 'RC04') - Is not authorized to receive this business message (reason code 'AG01')</p>

Element	Details
	<ul style="list-style-type: none"> - Of Agent is signed-off (reason code '9910') - Of Agent is suspended (reason code '9947') - Of Agent is not owned by the Instructed Agent - participant check (reason code 'DSOH') <p>Example: 020010001</p>
INDEX: 2.1034 FICdtTrf +CdtTrfTxInf ++CdtrAcct	<p>Name: Creditor Account</p> <p>ISO Description: Unambiguous identification of the account of the creditor to which a credit entry will be posted as a result of the payment transaction.</p> <p>XML Tag: <CdtrAcct></p> <p>Occurrence: [1..1]</p>
INDEX: 2.1035 FICdtTrf +CdtTrfTxInf ++CdtrAcct +++Id	<p>Name: Identification</p> <p>ISO Description: Unique and unambiguous identification for the account between the account owner and the account servicer.</p> <p>XML Tag: <Id></p> <p>Occurrence: [1..1]</p>
INDEX: 2.1037 FICdtTrf +CdtTrfTxInf ++CdtrAcct +++Id ++++Othr	<p>Name: Other</p> <p>ISO Description: Unique identification of an account, as assigned by the account servicer, using an identification scheme.</p> <p>XML Tag: <Othr></p> <p>Occurrence: [1..1]</p>
INDEX: 2.1038 FICdtTrf +CdtTrfTxInf ++CdtrAcct +++Id ++++Othr +++++Id	<p>Name: Identification</p> <p>ISO Description: Identification assigned by an institution.</p> <p>XML Tag: <Id></p> <p>Occurrence: [1..1]</p> <p>Length: 34</p> <p>Rule(s): Account number must be valid and linked to the participant under Creditor Member Id.</p> <p>Reason Code(s): Reject with Message Status Report (pacs.002) if account number is not linked to the Participant with reason code 'AC03'.</p> <p>Example: 124900084713944</p>
INDEX: 2.1126 FICdtTrf +CdtTrfTxInf ++RmtInf	<p>Name: Remittance Information</p> <p>ISO Description: Information supplied to enable the matching of an entry with the items that the transfer is intended to settle, such as commercial invoices in an accounts' receivable system.</p> <p>XML Tag: <RmtInf></p>

Element	Details
INDEX: 2.1127 FICdtTrf +CdtTrfTxInf ++RmtInf +++Ustrd	<p>Occurrence: [0..1]</p> <p>Name: Unstructured</p> <p>ISO Description: Information supplied to enable the matching of an entry with the items that the transfer is intended to settle, for example, commercial invoices in an accounts' receivable system in an unstructured form.</p> <p>Product Usage: Used to provide additional remittance related information.</p> <p>XML Tag: <Ustrd></p> <p>Occurrence: [0..1]</p> <p>Format: Maximum 140 characters.</p> <p>Length: 140</p> <p>Example: Unstructured Information</p>

16 MESSAGE STRUCTURE SPECIFICATION ADMINISTRATION

This chapter defines the standard and proprietary message formats used by the TCH Real Time Payment system (RTP) for sending and receiving Administration messages, between RTP and Participants using the System.

It provides an understanding of the following:

- The ISO 20022 message structure of the admi.002 (Message Reject) and the admi.004 (System Event Notification)
- The proprietary structure of the admn.001 through admn.006 messages (i.e. admn.001-6) for Sign-On/Sign-Off and Echo messages used in RTP
- The required data types and usage rules of the data fields in the messages
- Example layouts of the defined message format

16.1 System Event Notification – admi.004.001.02

RTP will use the System Event Notification message to inform Participants of an event that is either going to occur or has occurred in the System. The System Notification Message will contain either structured or unstructured data.

The System Notification Message is used to:

- Notify all Participants when a system wide event occurs (e.g. a Participant is now 'Available' or 'Unavailable' for receiving messages)
- Notify a Participant of events that are unique to that Participant (e.g. Low Watermark breach)
- Provide the system operator with the ability to send free format messages to either a specific Participant or all Participants

16.1.1 Message Structure Description

Index	XML Tag	Element Name	Occurr.	Length	M/O/C
	SysEvtNtfctn	System Event Notification V02	[1..1]		M
1.0	└─ EvtInf	Event Information	[1..1]		M
1.1	└─ EvtCd	Event Code	[1..1]	4	M
1.2	└─ EvtParam	Event Parameter	[1..n]	35	M
1.3	└─ EvtDesc	Event Description	[0..1]	1000	O
1.4	└─ EvtTm	Event Time	[1..1]	19	M

16.1.2 Detail Message Field Description

Element	Details
SysEvtNtfctn	<p>Name: System Event Notification V02</p> <p>Product Usage: The System Event Notification message is sent by RTP to notify participants of the occurrence of an event. RTP will use the System Event Notification message to inform Member Banks of an event that is going to occur or has occurred in the System. The System Notification Message may contain either structured or unstructured data. The System Notification Message is used to notify:</p> <ul style="list-style-type: none"> - Member Banks on system wide events e.g. other participants are now available or unavailable for receiving payments - specific Member Banks on events that are unique to them e.g. Debit Cap alerts <p>In addition, the system operator has the ability to send free format messages to Member Banks.</p> <p>XML Tag: <SysEvtNtfctn></p> <p>Occurrence: [1..1]</p>
INDEX: 1.0 SysEvtNtfctn +EvtInf	<p>Name: Event Information</p> <p>ISO Description: Detailed information about a system event.</p> <p>XML Tag: <EvtInf></p> <p>Occurrence: [1..1]</p>
INDEX: 1.1 SysEvtNtfctn +EvtInf ++EvtCd	<p>Name: Event Code</p> <p>ISO Description: Proprietary code used to specify an event that occurred in a system.</p> <p>Product Usage: Message Type. Refer to SNM Data Elements identified in the defined data structures below for list of supported events.</p> <p>XML Tag: <EvtCd></p> <p>Occurrence: [1..1]</p> <p>RegEx: [a-zA-Z0-9]{1,4}</p> <p>Length: 4</p> <p>Example: 971</p>
INDEX: 1.2 SysEvtNtfctn +EvtInf ++EvtParam	<p>Name: Event Parameter</p> <p>ISO Description: Describes the parameters of an event which occurred in a system.</p> <p>Product Usage: Describes the parameters of the event that occurred in RTP.</p> <p>XML Tag: <EvtParam></p> <p>Occurrence: [1..unbounded]</p> <p>Format: The first <EvtParam> will always be the Message ID The second <EvtParam> will always be the class of Message (Notification or Broadcast).</p> <p>Length: 35</p>

Element	Details
INDEX: 1.3 SysEvtNtfctn +EvtInf ++EvtDesc	<p>Note(s): Detailed specification for the values required for each type of Event are detailed in the section below.</p> <p>Example: M20160223021200201H0009101</p> <p>Name: Event Description</p> <p>ISO Description: Free text used to describe an event which occurred in a system.</p> <p>Product Usage: This item may contain structured or unstructured data information.</p> <p>XML Tag: <EvtDesc></p> <p>Occurrence: [0..1]</p> <p>Length: 1000</p> <p>Example: There will be a scheduled test on 20 Mar 2016</p>
INDEX: 1.4 SysEvtNtfctn +EvtInf ++EvtTm	<p>Name: Event Time</p> <p>ISO Description: Date and time at which the event occurred.</p> <p>Product Usage: Date and time the message was created by RTP.</p> <p>XML Tag: <EvtTm></p> <p>Occurrence: [1..1]</p> <p>Length: 19</p> <p>Note(s): The date is required to be set to Eastern Time (ET).</p> <p>Example: 2015-02-23T10:09:33</p>

16.2 System Event Notification – Data Structure

The following sections provide details on the structure and required field values of the various System Notification Message (SNM) generated by the System.

Note:

All amounts in System Notification Messages are expressed in pennies with an implied decimal to the left of the last two digits (e.g. 10000 represents \$100.00). The examples below do not include the Business Application Header (BAH).

16.2.1 Connectivity Status Broadcast (960)

Informs all Participants of a change in the status of a Connection. This broadcast message will be sent if the System detects that the Participant’s network connectivity becomes unavailable or is restored from an unavailable status.

Name	M/O	Usage	Value
Event Code	M	Message Type	'960'
Event Parameter (multiple)			
Message Identification	M	Message Identification assigned by RTP	Switch generated ID
Message Class	M	Message Classification	'Broadcast'
Connection Owner Identification	M	Participant Identifier (11 characters) of the owner of the Technical Connection (either Participant or TPSP).	e.g. '12345678901'
Connection Identification	M	Connection Identification of the Technical Connection that has had a status change (13 Characters)	e.g. '1234567890101'
Availability (connectivity)	M	Indicates whether the technical connectivity has become available or is now unavailable.	'AVAILABLE' or 'UNAVAILABLE'
Event Date Time	M	Date and time when the message was created in the format: YYYY-MM-DDThh:mm:ss Note – 'T' is a fixed value representing the time	e.g. '2016-02-15T11:59:28'

Example: Connectivity Status Broadcast message (XML Format)

```
<SystemNotificationEvent>
<ne:SysEvtNtfctn xmlns:ne="urn:iso:std:iso:20022:tech:xsd:admi.004.001.02">
  <ne:EvtInf>
    <ne:EvtCd>960</ne:EvtCd>
    <ne:EvtParam>580082</ne:EvtParam>
    <ne:EvtParam>Broadcast</ne:EvtParam>
    <ne:EvtParam>12345678901</ne:EvtParam>
    <ne:EvtParam>1234567890101</ne:EvtParam>
    <ne:EvtParam>UNAVAILABLE</ne:EvtParam>
    <ne:EvtTm>2016-02-15T11:59:28</ne:EvtTm>
  </ne:EvtInf>
</ne:SysEvtNtfctn>
</SystemNotificationEvent>
```

16.2.2 Funding Agent TPL Multiple Change Notification (961)

Informs the Funding Agent that the Tracking Position Limit (TPL) Multiple for its Funding Account has been changed.

Name	M/O	Usage	Value
Event Code	M	Message Type	'961'
Event Parameter (multiple)			
Message Identification	M	Message Identification assigned by RTP	Switch generated ID
Message Class	M	Message Classification	'Notification'
Member Identifier	M	Funding Account Identifier (11 characters)	e.g. '12345678901'
Name	M	Name of the Funding Agent	e.g. 'AgentXYZ'
Currency	M	The currency of the settlement	'USD'
New TPL Multiple	M	Value of the new TPL Multiple	e.g. '300000.0'
Previous TPL Multiple	M	Value of the previous TPL Multiple	e.g. '250000.0'
Event Date Time	M	Date and time when the message was created in the format: YYYY-MM-DDThh:mm:ss Note – 'T' is a fixed value representing the time	e.g. '2016-02-15T11:59:28'

Example: Funding Agent TPL Multiple Change Notification (XML Format)

```
<SystemNotificationEvent>
  <ne:SysEvtNtfctn xmlns:ne="urn:iso:std:iso:20022:tech:xsd:admi.004.001.02">
    <ne:EvtInf>
      <ne:EvtCd>961</ne:EvtCd>
      <ne:EvtParam>580082</ne:EvtParam>
      <ne:EvtParam>Notification</ne:EvtParam>
      <ne:EvtParam>12345678901</ne:EvtParam>
      <ne:EvtParam>AgentXYZ</ne:EvtParam>
      <ne:EvtParam>USD</ne:EvtParam>
      <ne:EvtParam>300000.0</ne:EvtParam>
      <ne:EvtParam>250000.0</ne:EvtParam>
      <ne:EvtTm>2016-02-15T11:59:28</ne:EvtTm>
    </ne:EvtInf>
  </ne:SysEvtNtfctn>
</SystemNotificationEvent>
```


16.2.3 TPL Change Status Notification (962)

Informs Non-funding Participant that its Tracking Position Limit has changed.

Note: A copy of the notification will be published to the Funding Agent.

Name	M/O	Usage	Value
Event Code	M	Message Type	'962'
Event Parameter (multiple)			
Message Identification	M	Message Identification assigned by RTP	Switch generated ID
Message Class	M	Message Classification	'Notification'
Member Identifier	M	Participant Identifier (11 characters)	e.g. '90112345678'
Name	M	Name of the Non-funding participant	e.g. 'BofABC'
Currency	M	The currency of the settlement	'USD'
TPL Multiple change status	M	Status of the change request	'SUCCESS' or 'FAILURE'
New TPL	M	Value of the new TPL	e.g. '30000'
Previous TPL	M	Value of the previous TPL	e.g. '25000'
Event Date Time	M	Date and time when the message was created in the format: YYYY-MM-DDThh:mm:ss Note – 'T' is a fixed value representing the time	e.g. '2016-02-15T11:59:28'

Example: TPL Change Status Notification (XML Format)

```
<SystemNotificationEvent>
  <ne:SysEvtNtfctn xmlns:ne="urn:iso:std:iso:20022:tech:xsd:admi.004.001.02">
    <ne:EvtInf>
      <ne:EvtCd>962</ne:EvtCd>
      <ne:EvtParam>580083</ne:EvtParam>
      <ne:EvtParam>Notification</ne:EvtParam>
      <ne:EvtParam>901 12345678</ne:EvtParam>
      <ne:EvtParam>BofABC</ne:EvtParam>
      <ne:EvtParam>USD</ne:EvtParam>
      <ne:EvtParam>SUCCESS</ne:EvtParam>
      <ne:EvtParam>30000</ne:EvtParam>
      <ne:EvtParam>25000</ne:EvtParam>
      <ne:EvtTm>2016-02-15T11:59:28</ne:EvtTm>
    </ne:EvtInf>
  </ne:SysEvtNtfctn>
</SystemNotificationEvent>
```

16.2.4 System Status Broadcast (971)

Informs all Participants if the System changes its status to either suspended or available:

Name	M/O	Usage	Value
Event Code	M	Message Type	'971'
Event Parameter (multiple)			
Message Identification	M	Message Identification assigned by RTP	Switch generated ID
Message Class	M	Message Classification	'Broadcast'
New Service Status	M	The new status of the System NORMAL – the status of the System is not suspended and open for activities. SUSPENDED – the system is suspended for all activities.	'NORMAL' or 'SUSPENDED'
Event Date Time	M	Date and time when the message was created in the format: YYYY-MM-DDThh:mm:ss Note – 'T' is a fixed value representing the time	e.g. '2016-02-15T11:59:28'

Example: System Status Broadcast message (XML format)

```
<SystemNotificationEvent>
  <ne:SysEvtNtfctn xmlns:ne="urn:iso:std:iso:20022:tech:xsd:admi.004.001.02">
    <ne:EvtInf>
      <ne:EvtCd>971</ne:EvtCd>
      <ne:EvtParam>580013</ne:EvtParam>
      <ne:EvtParam>Broadcast</ne:EvtParam>
      <ne:EvtParam>NORMAL</ne:EvtParam>
      <ne:EvtTm>2016-02-15T11:59:28</ne:EvtTm>
    </ne:EvtInf>
  </ne:SysEvtNtfctn>
</SystemNotificationEvent>
```

16.2.5 Participant Suspend Broadcast (972)

Informs all Participants if an FI's status is changed to Suspended or has returned to normal. **Note:** A copy of the notification will be published to the Funding Agent

Name	M/O	Usage	Value
Event Code	M	Message Type	'972'
Event Parameter (multiple)			
Message Identification	M	Message Identification assigned by RTP	Switch generated ID
Message Class	M	Message Classification	'Broadcast'
Currency	M	The currency of the settlement	'USD'
Member Identification	M	Participant Identifier (11 characters)	e.g. '12345678901'
Name	M	Name of the Participant	e.g. 'BofXYZ'
Default Status	M	Displays the Participant's current default status. NORMAL – the status of the FI is not suspended and open for all message activity. DEFAULTBOTH – the reported FI is suspended for all message activity.	'DEFAULTBOTH' or 'NORMAL'
Event Date Time	M	Date and time when the message was created in the format: YYYY-MM-DDThh:mm:ss Note – 'T' is a fixed value representing the time	e.g. '2016-02-15T11:59:28'

Example: Participant Suspend Broadcast message (XML Format)

```
<SystemNotificationEvent>
<ne:SysEvtNtfctn xmlns:ne="urn:iso:std:iso:20022:tech:xsd:admi.004.001.02">
  <ne:EvtInf>
    <ne:EvtCd>972</ne:EvtCd>
    <ne:EvtParam>580014</ne:EvtParam>
    <ne:EvtParam>Broadcast</ne:EvtParam>
    <ne:EvtParam>USD</ne:EvtParam>
    <ne:EvtParam>12345678901</ne:EvtParam>
    <ne:EvtParam>BofXYZ</ne:EvtParam>
    <ne:EvtParam>NORMAL</ne:EvtParam>
    <ne:EvtTm>2016-02-15T11:59:28</ne:EvtTm>
  </ne:EvtInf>
</ne:SysEvtNtfctn>
</SystemNotificationEvent>
```

16.2.6 Settlement Individual Transaction Limit Status / Change Broadcast (975)

Informs Participants and Funding Agents that the System-wide, maximum permitted amount for any payment type has been changed (i.e. the System wide limit for Credit Transfers has been changed).

It should be noted that RTP only permits Credit Transfer payments and as such the SITL will always be the same as the STL.

Name	M /O	Usage	Value
Event Code	M	Message Type	'975'
Event Parameter (multiple)			
Message Identification	M	Message Identification assigned by RTP	Switch generated ID
Message Class	M	Message Classification	'Broadcast'
Currency	M	The currency of the settlement	'USD'
Currency Status	M	Status of the Currency	'ACTIVE' or 'INACTIVE'
New Currency Limit	M	Value of new Settlement Individual Transaction Limit (SITL)	If status is 'INACTIVE' this must be 0 (zero)
Event Date Time	M	Date and time when the message was created in the format: YYYY-MM-DDThh:mm:ss Note – 'T' is a fixed value representing the time	e.g. '2016-02-15T11:59:28'

Example: Settlement Individual Transaction Limit Status/ Change Broadcast message (XML Format)

```
<SystemNotificationEvent>
  <ne:SysEvtNtfctn xmlns:ne="urn:iso:std:iso:20022:tech:xsd:admi.004.001.02">
    <ne:EvtInf>
      <ne:EvtCd>975</ne:EvtCd>
      <ne:EvtParam>580015</ne:EvtParam>
      <ne:EvtParam>Broadcast</ne:EvtParam>
      <ne:EvtParam>USD</ne:EvtParam>
      <ne:EvtParam>INACTIVE</ne:EvtParam>
      <ne:EvtParam>0</ne:EvtParam>
      <ne:EvtTm>2016-02-15T11:59:28</ne:EvtTm>
    </ne:EvtInf>
  </ne:SysEvtNtfctn>
</SystemNotificationEvent>
```

16.2.7 Security Transaction Limit Change Broadcast (976)

Informs Participants and Funding Agents that the System-wide maximum permitted amount for a specific payment type (Security Transaction Limit – STL) has been changed (i.e. the maximum allowable amount in a Credit Transfer payment message).

It should be noted that RTP only permits Credit Transfer payments and as such the STL will always be the same as the SITL.

Name	M/O	Usage	Value
Event Code	M	Message Type	'976'
Event Parameter (multiple)			
Message Identification	M	Message Identification assigned by RTP	Switch generated ID
Message Class	M	Message Classification	'Broadcast'
Currency	M	The currency of the settlement	'USD'
Payment Type	M	The type of payment for which the change is being made	'CREDITTRANSFER'
Global Limit Status	M	Status of the Security Transaction Limit	'ACTIVE' 'INACTIVE'
New Global Limit	M	Value of new Security Transaction Limit	If status is 'INACTIVE' this must be 0 (zero)
Event Date Time	M	Date and time when the message was created in the format: YYYY-MM-DDThh:mm:ss Note – 'T' is a fixed value representing the time	e.g. '2016-02-15T11:59:28'

Example: Security Transaction Limit Change Broadcast message (XML Format)

```
<SystemNotificationEvent>
  <ne:SysEvtNtfctn xmlns:ne="urn:iso:std:iso:20022:tech:xsd:admi.004.001.02">
    <ne:EvtInf>
      <ne:EvtCd>976</ne:EvtCd>
      <ne:EvtParam>580016</ne:EvtParam>
      <ne:EvtParam>Broadcast</ne:EvtParam>
      <ne:EvtParam>USD</ne:EvtParam>
      <ne:EvtParam>CREDITTRANSFER</ne:EvtParam>
      <ne:EvtParam>INACTIVE</ne:EvtParam>
      <ne:EvtParam>0</ne:EvtParam>
      <ne:EvtTm>2016-02-15T11:59:28</ne:EvtTm>
    </ne:EvtInf>
  </ne:SysEvtNtfctn>
</SystemNotificationEvent>
```

16.2.8 Free Format Broadcast or Notification (981)

The System has the ability to allow the RTP Operator to send a message to either one or all System Participant(s) and Funding Agents. The System Operator decides whether the message is

for all Participants and Funding Agents or a single Participant or Funding Agent when the message is created. For a message to a single Participant or a single Funding Agent, the message class shall be 'Notification'. If the message is meant for all Participants and Funding Agents, the message class shall be 'Broadcast'.

Name	M/O	Usage	Value
Event Code	M	Message Type	'981'
Event Parameter (multiple)			
Message Identification	M	Message Identification assigned by RTP	Switch generated ID
Message Class	M	Message Classification	'Broadcast' or 'Notification'
Member Identification	O	Participant / Funding Account Identifier (11 characters) – only used if Message Class is 'Notification'	e.g. '12345678901'
Name	O	Name of the Participant / Funding Agent – only used if Message Class is 'Notification'	e.g. 'BofXYZ'
Event Description (Free format text)	M	Any free format unstructured text up to 1000 characters	e.g. 'There will be a scheduled test on 20 Mar 2016'
Event Date Time	M	Date and time when the message was created in the format: YYYY-MM-DDThh:mm:ss Note – 'T' is a fixed value representing the time	e.g. '2016-02-15T11:59:28'

Example: Free Format message (XML Format)**Broadcast:**

```
<SystemNotificationEvent>
  <ne:SysEvtNtfctn xmlns:ne="urn:iso:std:iso:20022:tech:xsd:admi.004.001.02">
    <ne:EvtInf>
      <ne:EvtCd>981</ne:EvtCd>
      <ne:EvtParam>580016</ne:EvtParam>
      <ne:EvtParam>Broadcast</ne:EvtParam>
      <ne:EvtDesc>There will be a scheduled test on 20 Mar 2016</ne:EvtDesc>
      <ne:EvtTm>2016-02-15T11:59:28</ne:EvtTm>
    </ne:EvtInf>
  </ne:SysEvtNtfctn>
</SystemNotificationEvent>
```

Notification:

```
<SystemNotificationEvent>
  <ne:SysEvtNtfctn xmlns:ne="urn:iso:std:iso:20022:tech:xsd:admi.004.001.02">
    <ne:EvtInf>
      <ne:EvtCd>981</ne:EvtCd>
      <ne:EvtParam>580016</ne:EvtParam>
      <ne:EvtParam>Notification</ne:EvtParam>
      <ne:EvtParam>12345678901</ne:EvtParam>
      <ne:EvtParam>BofXYZ</ne:EvtParam>
      <ne:EvtDesc>There will be a scheduled test on 20 Mar 2016</ne:EvtDesc>
      <ne:EvtTm>2016-02-15T11:59:28</ne:EvtTm>
    </ne:EvtInf>
  </ne:SysEvtNtfctn>
</SystemNotificationEvent>
```

16.2.9 Participant Status Broadcast (982)

The system informs all Participants that a specific Participant's sign-on status has changed to Sign-on/Sign-off. This is the result of the Participant sending a Sign-on or Sign-off message (either direct or via TPSP) to RTP.

Name	M/O	Usage	Value
Event Code	M	Message Type	'982'
Event Parameter (multiple)			
Message Identification	M	Message Identification assigned by RTP	Switch generated ID
Message Class	M	Message Classification	'Broadcast'
Participant Identification	M	Participant Identifier (11 characters)	e.g. '12345678901'
Participant Name	M	Participant name of the Sign-on/Sign-off	e.g. 'BofXYZ'
Sign-on	M	Indicates whether the FI is Signed-on or Signed-off from System	'SIGNON' or 'SIGNOFF'
Event Date Time	M	Date and time when the message was created in the format: YYYY-MM-DDThh:mm:ss Note – 'T' is a fixed value representing the time	e.g. '2016-02-15T11:59:28'

Example: Participant Status Broadcast message (XML Format)

```
<SystemNotificationEvent>
  <ne:SysEvtNtfctn xmlns:ne="urn:iso:std:iso:20022:tech:xsd:admi.004.001.02">
    <ne:EvtInf>
      <ne:EvtCd>982</ne:EvtCd>
      <ne:EvtParam>580082</ne:EvtParam>
      <ne:EvtParam>Broadcast</ne:EvtParam>
      <ne:EvtParam>12345678901</ne:EvtParam>
      <ne:EvtParam>BofXYZ</ne:EvtParam>
      <ne:EvtParam>SIGNON</ne:EvtParam>
      <ne:EvtTm>2016-02-15T11:59:28</ne:EvtTm>
    </ne:EvtInf>
  </ne:SysEvtNtfctn>
</SystemNotificationEvent>
```


16.2.10 Available Prefunded Balance Warning Notification (993)

This message informs a Funding Participant, Funding Agent, or Non-Funding Participant and its Funding Agent that their Available Prefunded Balance has either: dropped below the established Low Watermark threshold or has returned to a normal level (High Watermark) following a Low Watermark warning. It should be noted that if the Low Watermark notification is ignored, it could result in a payment transaction being rejected due to insufficient funds.

Note:

Funding Participants and Funding Agents will be able to define their own Low and High Watermark values for alerts as either a percentage of their Prefunded Balance at the opening of the current reconciliation window or a fixed Dollar value. These alerts can be used by the Participant or Funding Agent to help manage the Participant's liquidity in the System. Funding Agents also manage the Low and High Watermark values for each of their Non-Funding Participants.

A copy of the notification will be published to the Funding Agent in case of non-funding participants

Name	M/O	Usage	Value
Event Code	M	Message Type	'993'
Event Parameter (multiple)			
Message Identification	M	Message Identification assigned by RTP	Switch generated ID
Message Class	M	Message Classification	'Notification'
Member Identification	M	Participant / Funding Account Identifier (11 characters) In the case of a non-funding Participant, the Participant ID will be present, and the message will be copied to the Funding Agent.	e.g. '12345678901'
Name	M	Name of Participant / Funding Agent	e.g. 'BofXYZ'
Currency	M	The currency of the settlement	'USD'
Available Prefund Balance Status	M	The status of the Prefunded Balance for the specified currency	'NORMAL' or 'EXCEEDED'
Opening Prefunded Balance	M	The value of the opening Prefunded Balance	e.g. '10000000'
Low Watermark Value	M	Value below which balance warning is triggered	e.g. '100000'
High Watermark Value	M	Value above which returns the status to 'NORMAL'	e.g. '300000'
Available Prefund Balance	M	Value which triggers the SNM either status 'EXCEEDED' (below Low Watermark) or 'NORMAL' (above High Watermark)	e.g. '95000' or '310000'
Event Date Time	M	Date and time when the message was created in the format: YYYY-MM-DDThh:mm:ss Note – 'T' is a fixed value representing the time	e.g. '2016-02-15T11:59:28'

Example: Available Prefunded Balance Notification message (XML Format)

```
<SystemNotificationEvent>
  <ne:SysEvtNtfctn xmlns:ne="urn:iso:std:iso:20022:tech:xsd:admi.004.001.02">
    <ne:EvtInf>
      <ne:EvtCd>993</ne:EvtCd>
      <ne:EvtParam>580093</ne:EvtParam>
      <ne:EvtParam>Notification</ne:EvtParam>
      <ne:EvtParam>12345678901</ne:EvtParam>
      <ne:EvtParam>BofXYZ</ne:EvtParam>
      <ne:EvtParam>USD</ne:EvtParam>
      <ne:EvtParam>EXCEEDED</ne:EvtParam>
      <ne:EvtParam>100000000</ne:EvtParam>
      <ne:EvtParam>100000</ne:EvtParam>
      <ne:EvtParam>300000</ne:EvtParam>
      <ne:EvtParam>95000</ne:EvtParam>
      <ne:EvtTm>2016-02-15T11:59:28</ne:EvtTm>
    </ne:EvtInf>
  </ne:SysEvtNtfctn>
</SystemNotificationEvent>
```

16.2.11 Prefunded Balance Breach Notification (994)

This message informs a Participant and/or Funding Agent that a transaction was rejected due to insufficient funding in the RTP Prefunded Account (or insufficient Tracking Position in the case of a Non-Funding Participant).

In such a scenario the payment is rejected with a pacs.002 and reason code 'AM04'. In addition to the pacs.002 rejecting the payment, this SNM is sent so that the Participant or Funding Agent can alert their Treasury department and provide required supplemental funding or adjust a Tracking Position Limit as necessary.

Note: A copy of the notification will be published to the Funding Agent in case of non-funding participant.

Name	M /O	Usage	Value
Event Code	M	Message Type	'994'
Event Parameter (multiple)			
Message Identification	M	Message Identification assigned by RTP	Switch generated ID
Message Class	M	Message Classification	'Notification'
Member Identification	M	Participant / Funding Account Identifier (11 characters) In the case of a non-funding Participant, the Participant ID will be present and the Funding Agent will receive a copy of the message. In the case of a Funding Agent, the Funding Account ID will be present.	e.g. '123456789001'
Name	M	Name of Participant / Funding Agent	e.g. 'BofXYZ'
Currency	M	The currency of the settlement	USD
Prefunded Balance Breach Status	M	The reason for the message	'PAYMENT RJCT'
Prefunded Balance	M	The value of the Prefunded Balance on the site processing the payment request	e.g. '100000000'
Net Position	M	The value of the Participant Net Position on the site processing the payment request at the time the payment request was blocked	e.g. '99999990'
Instruction Id	M	The unique identifier of the payment that would have caused the Prefunded Balance to be breached. Field 'Instruction Identification' from pacs.008.	e.g. '20151115021200201BFFF0000000001'
Payment Amount	M	The amount of the payment that would have caused a breach of	e.g. '25000'

Name	M /O	Usage	Value
Residual Prefunded Balance Position	M	the Prefunded Balance The difference between the Prefunded Balance and the FI's Net Position on the site processing the payment request. This is always a positive number.	e.g. '10'
Event Date Time	M	Date and time when the message was created in the format: YYYY-MM-DDThh:mm:ss Note – 'T' is a fixed value representing the time	e.g. '2016-02-15T11:59:28'

Example: Prefunded Balance Breach Notification message (XML Format)

```

<SystemNotificationEvent>
  <ne:SysEvtNtfctn xmlns:ne="urn:iso:std:iso:20022:tech:xsd:admi.004.001.02">
    <ne:EvtInf>
      <ne:EvtCd>994</ne:EvtCd>
      <ne:EvtParam>580094</ne:EvtParam>
      <ne:EvtParam>Notification</ne:EvtParam>
      <ne:EvtParam>12345678901</ne:EvtParam>
      <ne:EvtParam>BofXYZ</ne:EvtParam>
      <ne:EvtParam>USD</ne:EvtParam>
      <ne:EvtParam>PAYMENT RJCT</ne:EvtParam>
      <ne:EvtParam>100000000</ne:EvtParam>
      <ne:EvtParam>99999990</ne:EvtParam>
      <ne:EvtParam>M20160223021200201BRT0000001</ne:EvtParam>
      <ne:EvtParam>25000</ne:EvtParam>
      <ne:EvtParam>10</ne:EvtParam>
      <ne:EvtTm>2016-02-15T11:59:28</ne:EvtTm>
    </ne:EvtInf>
  </ne:SysEvtNtfctn>
</SystemNotificationEvent>

```

16.2.12 Prefunded Requirement Change Notification (996)

This message informs a Participant and/or Funding Agent that their Prefunded Requirement has been changed. This figure limits the Disbursement of funds. This will occur when RTP system operator changes this value for a participant.

Name	M/ O	Usage	Value
Event Code	M	Message Type	'996'
Event Parameter (multiple)			
Message Identification	M	Message Identification assigned by RTP	Switch generated ID
Message Class	M	Message Classification	'Notification'
Member Identification	M	Participant / Funding Account Identifier (11 characters)	e.g. '12345678901
Name	M	Name of the Participant / Funding Agent	e.g. 'BofXYZ'
Currency	M	The currency of the settlement	'USD'
New Prefunded Requirement	M	Value of new Prefunded Requirement	e.g. '30000'
Previous Prefunded Requirement	M	Value of previous Prefunded Requirement	e.g. '10000'
Event Date Time	M	Date and time when the message was created in the format: YYYY-MM-DDThh:mm:ss Note – 'T' is a fixed value representing the time	e.g. '2016-02-15T11:59:28'

Example: Prefunded Balance Change Notification message (XML Format)

```
<SystemNotificationEvent>
<ne:SysEvtNtfctn xmlns:ne="urn:iso:std:iso:20022:tech:xsd:admi.004.001.02">
<ne:EvtInf>
<ne:EvtCd>996</ne:EvtCd>
<ne:EvtParam>580096</ne:EvtParam>
<ne:EvtParam>Notification</ne:EvtParam>
<ne:EvtParam>12345678901</ne:EvtParam>
<ne:EvtParam>BofXYZ</ne:EvtParam>
<ne:EvtParam>30000</ne:EvtParam>
<ne:EvtParam>10000</ne:EvtParam>
<ne:EvtTm>2016-02-15T11:59:28</ne:EvtTm>
</ne:EvtInf>
</ne:SysEvtNtfctn>
</SystemNotificationEvent>
```

16.2.13 Prefunded Balance Change Notification (998)

This message informs a Participant and/or Funding Agent that their Prefunded Balance has been changed. This will occur as a result of the Participant (or its Funding Agent) submitting Supplemental Funding through Fedwire, the Participant (or its Funding Agent) requesting a Disbursement through the RTP Management Portal, or the System Operator performing a manual adjustment to the Participant or Funding Agent's prefunded position.

Note: A copy of the notification will be published to the Funding Agent in case of non-funding participant.

Name	M/O	Usage	Value
Event Code	M	Message Type	'998'
Event Parameter (multiple)			
Message Identification	M	Message Identification assigned by RTP	Switch generated ID
Message Class	M	Message Classification	'Notification'
Member Identification	M	Participant / Funding Account Identifier (11 characters)	e.g. '12345678901'
Name	M	Name of the Participant / Funding Agent	e.g. 'BofXYZ'
Currency	M	The currency of the settlement	'USD'
Prefunded Balance Change Status	M	Status of the change request	'SUCCESS' or 'FAILURE'
New Prefunded Balance	M	Value of new balance	e.g. '30000'
Previous Prefunded Balance	M	Value of previous balance	e.g. '10000'
Event Date Time	M	Date and time when the message was created in the format: YYYY-MM-DDThh:mm:ss Note – 'T' is a fixed value representing the time	e.g. '2016-02-15T11:59:28'

Example: Prefunded Balance Change Notification message (XML Format)

```
<SystemNotificationEvent>
  <ne:SysEvtNtfctn xmlns:ne="urn:iso:std:iso:2002:tech:xsd:admi.004.001.02">
    <ne:EvtInf>
      <ne:EvtCd>998</ne:EvtCd>
      <ne:EvtParam>580098</ne:EvtParam>
      <ne:EvtParam>Notification</ne:EvtParam>
      <ne:EvtParam>12345678901</ne:EvtParam>
      <ne:EvtParam>BofXYZ</ne:EvtParam>
      <ne:EvtParam>USD</ne:EvtParam>
      <ne:EvtParam>SUCCESS</ne:EvtParam>
      <ne:EvtParam>30000</ne:EvtParam>
      <ne:EvtParam>10000</ne:EvtParam>
      <ne:EvtTm>2016-02-15T11:59:28</ne:EvtTm>
    </ne:EvtInf>
  </ne:SysEvtNtfctn>
</SystemNotificationEvent>
```

16.2.14 Reconciliation Status Notification (999)

The System sends an automated notification to all Participants and Funding Agents when a Reconciliation Window has been closed and a new one opened.

The notification includes:

- The Previous (Closed) Reconciliation Window ID
- The New (Open) Reconciliation Window ID
- The Opening Available Balance for the Participant/Funding Agent as at the start of the New Reconciliation Window
- Number and Value of supplemental funding or drawdowns

Note: Funding Agents will receive a copy of each Non-Funding Participant’s message, and will also receive a message pertaining to its Prefunded Position during the Reconciliation Window.

Name	M/ O	Usage	Value
Event Code	M	Message Type	'999'
Event Parameter (multiple)			
Message Identification	M	Message Identification assigned by RTP	Switch generated ID
Message Class	M	Message Classification	'Notification'
Previous Reconciliation Window Date	M	The date of the Reconciliation Window for which this report is provided. Format YYYY-MM-DD.	e.g. '2016-02-15'
Previous Reconciliation Window ID	M	The identifier for the Reconciliation Window for which this report is provided.	e.g. '001'
Previous Reconciliation Window Status	M	Shows the status of the Reconciliation Window for which this report is provided.	'COMPLETE'
Reconciliation Checkpoint Cut Off Date and Time	M	“The time the Reconciliation Checkpoint was cut off (i.e. when the Reconciliation Window process ended). Format YYYY-MM-DDThh:mm:ss Note – ‘T’ is a fixed value representing the time”	e.g. '2016-02-15T11:00:00'
New Reconciliation Window Date	M	The date the new Reconciliation Window was started in the format YYYY-MM-DD.	e.g. '2016-02-15'
New Reconciliation Window ID	M	The identifier for the new Reconciliation Window	e.g. '002'
New Reconciliation Window Status	M	Shows the status of the new Reconciliation Window.	'INPROGRESS'

Name	M/ O	Usage	Value
Currency	M	The currency of the settlement in Reconciliation Window	'USD'
Member Identification	M	Participant / Funding Account Identifier (11 characters) In the case of a non-funding Participant, the Participant ID will be present and the Funding Agent will receive a copy of the message. In the case of a Funding Agent, the Funding Account ID will be present.	e.g. '12345678901'
Name	M	Name of the Participant / Funding Agent	e.g. 'BofXYZ'
Previous Opening Prefunded Balance	M	Value of the Opening Prefunded Balance at the start of the closed Reconciliation Window	e.g. '30000'
New Opening Prefunded Balance	M	Value of the Opening Prefunded Balance at the start of the new Reconciliation Window.	e.g. '200000'
Number of Credit Transfer received and accepted	M	Total Number of Credit Transfer received and accepted	e.g. '105'
Value of Credit Transfer received and accepted	M	Total Value of Credit Transfer received and accepted	e.g. '150000'
Number of Credit Transfer received and rejected	M	Total Number of Credit Transfer received and rejected	e.g. '4'
Value of Credit Transfer received and rejected	M	Total Value of Credit Transfer received and rejected	e.g. '443'
Number of Credit Transfer sent and accepted	M	Total Number of Credit Transfer send and accepted	e.g. '605'
Value of Credit Transfer sent and accepted	M	Total Value of Credit Transfer send and accepted	e.g. '50000'
Number Credit Transfer sent and rejected	M	Total Number of Credit Transfer send and rejected	e.g. '15'
Value of Credit Transfer sent and rejected	M	Total Value of Credit Transfer send and rejected	e.g. '63443'
Net Position	M	Net Position at the end of the Reconciliation Window that is closing	e.g. '100000'
Count of supplemental funding	M	Number of supplemental funding transactions made during the previous Reconciliation Window	e.g. '1'
Gross value of supplemental funding	M	Value of supplemental funding transactions made during the previous Reconciliation Window	e.g. '80000'
Count of drawdowns	M	Number of drawdown transactions made during the previous Reconciliation Window	e.g. '1'

Name	M/O	Usage	Value
Gross value of drawdowns	M	Value of drawdown transactions made during the previous Reconciliation Window	e.g. '10000'
Event Date Time	M	Date and time when the message was created in the format: YYYY-MM-DDThh:mm:ss Note – 'T' is a fixed value representing the time	e.g. '2016-02-15T11:59:28'

Example: Reconciliation Status Notification message (XML Format)

```

<SystemNotificationEvent>
  <ne:SysEvtNtfctn xmlns:ne="urn:iso:std:iso:2002:tech:xsd:admi.004.001.02">
    <ne:EvtInf>
      <ne:EvtCd>999</ne:EvtCd>
      <ne:EvtParam>580099</ne:EvtParam>
      <ne:EvtParam>Notification</ne:EvtParam>
      <ne:EvtParam>2016-02-15</ne:EvtParam>
      <ne:EvtParam>001</ne:EvtParam>
      <ne:EvtParam>COMPLETE</ne:EvtParam>
      <ne:EvtParam>2016-02-15T12:00:00Z</ne:EvtParam>
      <ne:EvtParam>2016-02-15</ne:EvtParam>
      <ne:EvtParam>002</ne:EvtParam>
      <ne:EvtParam>INPROGRESS</ne:EvtParam>
      <ne:EvtParam>USD</ne:EvtParam>
      <ne:EvtParam>12345678901</ne:EvtParam>
      <ne:EvtParam>BofXYZ</ne:EvtParam>
      <ne:EvtParam>30000</ne:EvtParam>
      <ne:EvtParam>200000</ne:EvtParam>
      <ne:EvtParam>105</ne:EvtParam>
      <ne:EvtParam>150000</ne:EvtParam>
      <ne:EvtParam>4</ne:EvtParam>
      <ne:EvtParam>443</ne:EvtParam>
      <ne:EvtParam>605</ne:EvtParam>
      <ne:EvtParam>50000</ne:EvtParam>
      <ne:EvtParam>15</ne:EvtParam>
      <ne:EvtParam>63443</ne:EvtParam>
      <ne:EvtParam>100000</ne:EvtParam>
      <ne:EvtParam>1</ne:EvtParam>
      <ne:EvtParam>80000</ne:EvtParam>
      <ne:EvtParam>1</ne:EvtParam>
      <ne:EvtParam>10000</ne:EvtParam>
      <ne:EvtTm>2016-02-15T11:59:28</ne:EvtTm>
    </ne:EvtInf>
  </ne:SysEvtNtfctn>
</SystemNotificationEvent>

```

16.3 Message Reject – admi.002.001.01

16.3.1 Scope

RTP and Participants will use the “Message Reject” message to indicate the rejection of a message that has been received and cannot be interpreted. This message will be used if:

- An incoming message cannot be parsed according to the XSD specification (reason code ‘650’)
- Incoming message with a sending Routing Key cannot be found (reason code ‘650’)
- The Digital Signature of a message cannot be verified (reason code ‘690’)
- A calculated Digital Signature does not match the Digital Signature of the message (reason code ‘690’)

Note: Detailed information about Digital Signature is provided in the Bank Interface Specification document.

16.3.2 Message Structure Description

Index	XML Tag	Element Name	Occurr.	Length	M/O/C
	admi.002.001.01	Message Reject V01	[1..1]		M
1.0	— RltdRef	Related Reference	[1..1]		M
1.1	— Ref	Reference	[1..1]	35	M
2.0	— Rsn	Reason	[1..1]		M
2.1	— RjctgPtyRsn	Rejecting Party Reason	[1..1]	35	M
2.5	— AddtlData	Additional Data	[0..1]	20000	M

16.3.3 Detail Message Field Description

Element	Details
admi.002.001.01	<p>Name: Message Reject V01</p> <p>Product Usage: RTP and Participants will use the Message Reject message to notify the rejection of a previously received message. RTP and Participants will issue a Message Reject when:</p> <ul style="list-style-type: none">- An incoming message cannot be parsed according to the XSD.- A digital signature cannot be verified.- A digital signature does not match the digital signature of the message. <p>XML Tag: <admi.002.001.01></p> <p>Occurrence: [1..1]</p>
INDEX: 1.0 admi.002.001.01 +RltdRef	<p>Name: Related Reference</p> <p>ISO Description: Refers to the identification of the message previously received and for which the rejection is notified.</p> <p>Product Usage: Usage of the Related Reference element is not according to the ISO 20022 standard usage. The reference provided in this element is a newly generated reference to identify the message reject.</p> <p>XML Tag: <RltdRef></p> <p>Occurrence: [1..1]</p>

INDEX: 1.1

admi.002.001.01
 +RltdRef
 ++Ref

Name: Reference

ISO Description: Business reference of the present message assigned by the party issuing the message. This reference must be unique amongst all messages of the same name sent by the same party.

Product Usage: The unique ID for the Rejection Message as assigned by the Instructing FI or the System creating the rejection message. The entity that is initiating the message (the Instructing FI or RTP) is responsible for ensuring the uniqueness of this field.

XML Tag: <Ref>

Occurrence: [1..1]

Format: Format: YYYYMMDDHHMMSSbbbbbbbbbbXXXXXXXXXX

Pos. 01-14 - File creation date in format YYYYMMDDHHMMSS

Pos. 15-25 - 11 character Participant Identifier for FIs or RTP

Pos. 26-35 - Message serial number (10 alphanumeric characters)

RegEx: [0-9]{4}(((01|03|05|07|08|10|12)((0[1-9])|([1-2][0-9])|(3[0-1])))|((04|06|09|11)((0[1-9])|([1-2][0-9])|30))|((02)((0[1-9])|([1-2][0-9]))))|(((0-1)[0-9])|(2[0-3])|((0-5)[0-9])){2})[A-Z0-9]{11}.*

Length: 35

Rule(s): The Reference structure position 01 to 25 is validated for structural alignment according to the format specification.

Reason Code(s): In case for structural validation failure, the RTP Network will reject with code '650' in Administration Advice message (admi.002).

Note(s): Identification of the original sender of the rejected message is provided in the additional data field copied from the

Element	Details
	<p>original message if possible. Identification of the original sender of the rejected message is provided in the additional data field copied from the original message if possible. This format is partial validated by the system, it is an example format only</p> <p>Example: 2016021812064599000001S1DBAA2HJH4O</p>
<p>INDEX: 2.0 admi.002.001.01 +Rsn</p>	<p>Name: Reason</p> <p>ISO Description: General information about the reason of the message rejection.</p> <p>XML Tag: <Rsn></p> <p>Occurrence: [1..1]</p>
<p>INDEX: 2.1 admi.002.001.01 +Rsn ++RjctgPtyRsn</p>	<p>Name: Rejecting Party Reason</p> <p>ISO Description: Reason of the rejection provided by the rejecting party.</p> <p>Product Usage: Message Reject Code</p> <p>XML Tag: <RjctgPtyRsn></p> <p>Occurrence: [1..1]</p> <p>Length: 35</p> <p>Rule(s): Expected values: '650' = cannot parse the message '690' = signature mismatch or signature verification error.</p> <p>Example: 690</p>
<p>INDEX: 2.5 admi.002.001.01 +Rsn ++AddtlData</p>	<p>Name: Additional Data</p> <p>ISO Description: Additional information related to the rejection and meant to allow for the precise identification of the rejection reason. This could include a copy of the rejected message in part or in full.</p> <p>Product Usage: Original Message captured in CDATA to allow the message contents to be examined by the instructing party (Participant that sent the message that is now being rejected).</p> <p>XML Tag: <AddtlData></p> <p>Occurrence: [0..1]</p> <p>Length: 20000</p> <p>Rule(s): The original message which the Participant or RTP could not parse must be provided in this field with the CDATA definition.</p> <p>Note(s): CDATA stands for Character Data and any data in between the CDATA TAGS / element identifies data that could be interpreted as XML. Provided data can be read as XML but will not be parsed as an XML information even it is part of the overall message. While all text in an XML document will be parsed by the parser, the information inside a CDATA section will be seen as</p>

Element	Details
	<p>free text.</p> <p>Example: <![CDATA[<Message xmlns="urn:tch"><AppHdr><head:Fr xmlns:head="urn:iso:std:iso:2002:tech:xsd:head.001.001.01"><head:FIld><head:FinInstnId> </ps:FIToFIPmtStsRpt></PaymentStatus></Message>]]</p>

16.4 Sign-On Request – admn.001.001.01

16.4.1 Scope

When an FI wishes to send or receive messages i.e. when they first join RTP or following a period of scheduled maintenance, they must formally Sign-on to the System. This is achieved by sending a Sign-on Request. Similarly, if an FI needs to Sign-off from the System e.g. to undertake system maintenance, they must sign-off from the System by sending a Sign-off request.

When an FI is Signed-on, it remains Signed-on until it sends a Sign-off message. It is anticipated that most FI's, once signed-on, will remain Signed-on indefinitely. There should be very few cases where an FI needs to sign-off.

When an FI changes status to signed-on or signed-off, a broadcast SNM is sent to the RTP community, to advise them of the change.

16.4.2 Message Structure Description

Index	XML Tag	Element Name	Occurr.	Length	M/O/C
	AdmnSignOnReq	Sign On Request	[1..1]		M
1.0	GrpHdr	Group Header	[1..1]		M
1.1	MsgId	Message Identification	[1..1]	35	M
1.2	CreDtTm	Creation Date Time	[1..1]	23	M
2.0	SignOnReq	Sign On Request	[1..1]		M
2.1	InstrId	Instruction Identification	[1..1]	35	M
2.2	InstgAgt	Instructing Agent	[1..1]		M
2.3	FinInstnId	Financial Institution Identification	[1..1]		M
2.5	ClrSysMmbld	Clearing System Member Identification	[1..1]		M
2.6	Mmbld	Member Identification	[1..1]	11	M
2.39	InstdAgt	Instructed Agent	[1..1]		M
2.40	FinInstnId	Financial Institution Identification	[1..1]		M
2.42	ClrSysMmbld	Clearing System Member Identification	[1..1]		M
2.43	Mmbld	Member Identification	[1..1]	11	M

16.4.3 Detail Message Field Description

Element	Details
AdmnSignOnReq	<p>Name: Sign On Request</p> <p>ISO Description: The Sign On Request message is used to initiate a sign on.</p> <p>Product Usage: The Instructing Agent uses the Sign-On Request Message to request sign on to RTP. The initial status of the Instructing Agent is 'Signed-Off'. Sign-On is required when the previous status of Participant is 'Signed-Off'. The Instructing Agent sends the Sign-On message to RTP when they first connect to RTP, when re-connecting to TCH after a planned or unplanned log-off. Signing-On indicates to the TCH community that the FI is now available for receiving and sending payment requests.</p> <p>XML Tag: <AdmnSignOnReq></p> <p>Occurrence: [1..1]</p>
INDEX: 1.0 AdmnSignOnReq +GrpHdr	<p>Name: Group Header</p> <p>ISO Description: Set of characteristics shared by all individual transactions included in the message.</p> <p>XML Tag: <GrpHdr></p> <p>Occurrence: [1..1]</p>
INDEX: 1.1 AdmnSignOnReq +GrpHdr ++MsgId	<p>Name: Message Identification</p> <p>ISO Description: Point to point reference, as assigned by the account servicing institution, and sent to the account owner or the party authorised to receive the message, to unambiguously identify the message. Usage: The account servicing institution has to make sure that MessageIdentification is unique per account owner for a pre-agreed period.</p> <p>Product Usage: Assigned by the Instructing FI or TPSP, this ID uniquely identifies the Sign-on request message. The Instructing FI or TPSP is responsible for ensuring the uniqueness of this field.</p> <p>XML Tag: <MsgId></p> <p>Occurrence: [1..1]</p> <p>Format: Format: YYYYMMDDHHMMSSbbbbbbbbbbXXXXXXXXXX</p> <p>Pos. 01-14 - File creation date in format YYYYMMDDHHMMSS Pos. 15-25 - 11 character Participant Identifier for FIs and TPSP Pos. 26-35 - Participant specific Message serial number (up to 10 characters)</p> <p>RegEx: [0-9]{4}(((01 03 05 07 08 10 12)((0[1-9]) ([1-2][0-9]) (3[0-1]))) ((04 06 09 11)((0[1-9]) ([1-2][0-9]) 30)) ((02)((0[1-9]) ([1-2][0-9])))) (((0[1-9]) ([1-2][0-9])) 2[0-3]) ((0[5-9]) 2)) A-Z0-9]{11}.*</p> <p>Length: 35</p> <p>Rule(s): The Reference structure position 01 to 25 is validated for structural alignment according to the format specification.</p> <p>Reason Code(s): In case of structural failure the RTP Network will reject with code '650' in Administration Advice message (admi.002).</p>

Element	Details
INDEX: 1.2 AdmnSignOnReq +GrpHdr ++CreDtTm	<p>Note(s): This format is partial validated by the system, it is an example format only</p> <p>Example: 2016021810064302120020101B61NHTCSG6</p> <p>Name: Creation Date Time</p> <p>ISO Description: Date and time at which the message was created.</p> <p>XML Tag: <CreDtTm></p> <p>Occurrence: [1..1]</p> <p>Format: YYYY-MM-DDThh:mm:ss.sss</p> <p>Length: 23</p> <p>Rule(s): Schema validated ISO date/time format expected.</p> <p>Reason Code(s): The RTP Network will reject with code '650' in Administration Advice message (admi.002).</p> <p>Note(s): The date is required to be set to Eastern Time (ET).</p> <p>Example: 2016-02-18T10:06:43.000</p>
INDEX: 2.0 AdmnSignOnReq +SignOnReq	<p>Name: Sign On Request</p> <p>XML Tag: <SignOnReq></p> <p>Occurrence: [1..1]</p>
INDEX: 2.1 AdmnSignOnReq +SignOnReq ++InstrId	<p>Name: Instruction Identification</p> <p>ISO Description: Reference assigned by a sending party to unambiguously identify the sign-on request within the message.</p> <p>Product Usage: The Instruction Identifier is assigned by the Instructing FI or TPSP to uniquely identify the request. The Instructing FI / TPSP is responsible for ensuring the uniqueness of this message.</p> <p>XML Tag: <InstrId></p> <p>Occurrence: [1..1]</p> <p>Format: Format: YYYYMMDDbbbbbbbbbbBAAAAAnnnnnnnnnnn Pos. 01-08 - File creation date in format YYYYMMDD Pos. 09-19 - Participant ID (11 characters) Pos. 20-20 - Message generation source ("B" if generated by a Participant) Pos. 21-24 - Discretionary bank field (4 digit alpha numeric that can be used to serialize, identify specific systems, etc.) Pos. 25-35 - Message serial number (11 numeric characters)</p> <p>RegEx: [0-9]{4}(((01 03 05 07 08 10 12)((0[1-9]) ([1-2][0-9]) (3[0-1])) ((04 06 09 11)((0[1-9]) ([1-2][0-9]) 30)) ((02 ([0[1-9]) ([1-2][0-9])))))[A-Z0-9]{11}.*</p> <p>Length: 35</p> <p>Rule(s): The Instruction Identification structure position 01 to 19 is validated for structural alignment according to the format specification.</p>

Element	Details
	<p>Reason Code(s): In case of structural failure the RTP Network will reject with code '650' in Administration Advice message (admi.002).</p> <p>Note(s): This format is partial validated by the system, it is an example format only</p> <p>Example: 2016021812345678901BD61U00000000006</p>
<p>INDEX: 2.2 AdmnSignOnReq +SignOnReq ++InstgAgt</p>	<p>Name: Instructing Agent</p> <p>ISO Description: Agent that instructs the next party in the chain to carry out the (set of) instruction(s).</p> <p>XML Tag: <InstgAgt></p> <p>Occurrence: [1..1]</p>
<p>INDEX: 2.3 AdmnSignOnReq +SignOnReq ++InstgAgt +++FinInstnId</p>	<p>Name: Financial Institution Identification</p> <p>ISO Description: Unique and unambiguous identification of a financial institution, as assigned under an internationally recognised or proprietary identification scheme.</p> <p>XML Tag: <FinInstnId></p> <p>Occurrence: [1..1]</p>
<p>INDEX: 2.5 AdmnSignOnReq +SignOnReq ++InstgAgt +++FinInstnId ++++ClrSysMmbld</p>	<p>Name: Clearing System Member Identification</p> <p>ISO Description: Information used to identify a member within a clearing system.</p> <p>XML Tag: <ClrSysMmbld></p> <p>Occurrence: [1..1]</p>
<p>INDEX: 2.6 AdmnSignOnReq +SignOnReq ++InstgAgt +++FinInstnId ++++ClrSysMmbld +++++Mmbld</p>	<p>Name: Member Identification</p> <p>ISO Description: Identification of a member of a clearing system.</p> <p>Product Usage: The identifier allocated within the system to uniquely identify of the FI who requests to Sign-on.</p> <p>XML Tag: <Mmbld></p> <p>Occurrence: [1..1]</p> <p>Format: 11 character Participant Identifier.</p> <p>Length: 11</p> <p>Rule(s): Member Identification must be a valid FI Participant ID held within the system and available to process messages.</p> <p>Reason Code(s): Reject in Sign-off Response message (adm.002) with code</p> <ul style="list-style-type: none"> - '9948' if RTP service is suspended - '9946' if FI Participant is suspended - 'RC02' if FI Participant does not exist within the system - 'DS0H' if FI Participant does not belong to the sender of the message connectivity check <p>Example: 02120020101</p>

Element	Details
INDEX: 2.39 AdmnSignOnReq +SignOnReq ++InstdAgt	Name: Instructed Agent ISO Description: Agent that is instructed by the previous party in the chain to carry out the (set of) instruction(s). XML Tag: <InstdAgt> Occurrence: [1..1]
INDEX: 2.40 AdmnSignOnReq +SignOnReq ++InstdAgt +++FinInstnId	Name: Financial Institution Identification ISO Description: Unique and unambiguous identification of a financial institution, as assigned under an internationally recognised or proprietary identification scheme. XML Tag: <FinInstnId> Occurrence: [1..1]
INDEX: 2.42 AdmnSignOnReq +SignOnReq ++InstdAgt +++FinInstnId ++++ClrSysMmbld	Name: Clearing System Member Identification ISO Description: Information used to identify a member within a clearing system. XML Tag: <ClrSysMmbld> Occurrence: [1..1]
INDEX: 2.43 AdmnSignOnReq +SignOnReq ++InstdAgt +++FinInstnId ++++ClrSysMmbld +++++Mmbld	Name: Member Identification ISO Description: Identification of a member of a clearing system. Product Usage: Identification of RTP. XML Tag: <Mmbld> Occurrence: [1..1] Format: 11 character Participant Identifier allocated to RTP. Length: 11 Example: 990000001S1

16.5 Sign-On Response – admn.002.001.01

16.5.1 Scope

RTP uses the Sign-On Response Message to respond to the Sign-On request from an FI.

16.5.2 Message Structure Description

Index	XML Tag	Element Name	Occurr.	Length	M/O/C
	AdmnSignOnResp	Sign On Response	[1..1]		M
1.0	GrpHdr	Group Header	[1..1]		M
1.1	MsgId	Message Identification	[1..1]	35	M
1.2	CreDtTm	Creation Date Time	[1..1]	23	M
2.0	SignOnResp	Sign On Response	[1..1]		M
2.1	OrgnInstrId	Original Instruction Identification	[1..1]	35	M
2.2	InstgAgt	Instructing Agent	[1..1]		M
2.3	FinInstnId	Financial Institution Identification	[1..1]		M
2.5	ClrSysMmbld	Clearing System Member Identification	[1..1]		M
2.6	Mmbld	Member Identification	[1..1]	11	M
2.39	InstdAgt	Instructed Agent	[1..1]		M
2.40	FinInstnId	Financial Institution Identification	[1..1]		M
2.42	ClrSysMmbld	Clearing System Member Identification	[1..1]		M
2.43	Mmbld	Member Identification	[1..1]	11	M
2.76	Sts	Status	[1..1]	4	M
2.77	StsRsnInf	Status Reason Information	[0..1]		C
2.121	Rsn	Reason	[1..1]		M
2.123	Prtry	Proprietary	[1..1]	4	M

16.5.3 Detail Message Field Description

Element	Details
AdmnSignOnResp	<p>Name: Sign On Response</p> <p>ISO Description: The Sign-On Response message is a reply message to the Sign-On Request.</p> <p>Product Usage: RTP uses the Sign-On Response Message to respond to the Sign-On request from a Participant.</p> <p>XML Tag: <AdmnSignOnResp></p> <p>Occurrence: [1..1]</p>
INDEX: 1.0 AdmnSignOnResp +GrpHdr	<p>Name: Group Header</p> <p>ISO Description: Set of characteristics shared by all individual transactions included in the message.</p> <p>XML Tag: <GrpHdr></p> <p>Occurrence: [1..1]</p>
INDEX: 1.1 AdmnSignOnResp +GrpHdr ++MsgId	<p>Name: Message Identification</p> <p>ISO Description: Point to point reference, as assigned by the account servicing institution, and sent to the account owner or the party authorised to receive the message, to unambiguously identify the message. Usage: The account servicing institution has to make sure that MessageIdentification is unique per account owner for a pre-agreed period.</p> <p>Product Usage: Unique identification that is assigned by RTP.</p> <p>XML Tag: <MsgId></p> <p>Occurrence: [1..1]</p> <p>Format: Format: YYYYMMDDHHMMSSbbbbbbbbbbXXXXXXXXXX</p> <p>Pos. 01-14 - File creation date in format YYYYMMDDHHMMSS Pos. 15-25 - 11 character Participant Identifier for RTP Pos. 26-35 - Participant specific Message serial number (up to 10 characters)</p> <p>Length: 35</p> <p>Note(s): This format is partial validated by the system, it is an example format only</p> <p>Example: 2016021810065399000001S1B61NHDDM21</p>
INDEX: 1.2 AdmnSignOnResp +GrpHdr ++CreDtTm	<p>Name: Creation Date Time</p> <p>ISO Description: Date and time at which the message was created.</p> <p>XML Tag: <CreDtTm></p> <p>Occurrence: [1..1]</p> <p>Format: YYYY-MM-DDThh:mm:ss.sss</p> <p>Length: 23</p>

Element	Details
	<p>Rule(s): Schema validated ISO date/time format expected.</p> <p>Reason Code(s): The RTP Network will reject with code '650' in Administration Advice message (admi.002).</p> <p>Note(s): The date is required to be set to Eastern Time (ET).</p> <p>Example: 2016-02-18T10:06:53.000</p>
<p>INDEX: 2.0 AdmnSignOnResp +SignOnResp</p>	<p>Name: Sign On Response</p> <p>XML Tag: <SignOnResp></p> <p>Occurrence: [1..1]</p>
<p>INDEX: 2.1 AdmnSignOnResp +SignOnResp ++OrgnlInstrId</p>	<p>Name: Original Instruction Identification</p> <p>ISO Description: Reference assigned by a sending party to unambiguously identify the sign-on request within the message.</p> <p>Product Usage: Original Instruction Identification of the Sign-On request sent by the Participant or TPSP.</p> <p>XML Tag: <OrgnlInstrId></p> <p>Occurrence: [1..1]</p> <p>Format: Format: YYYYMMDDbbbbbbbbbbXRRnnnnnnn Pos. 01-08 - File creation date in format YYYYMMDD Pos. 09-19 - 11 characters Participant Identifier Pos. 20-20 - Message generation source ('B' if generated by a Participant or TPSP, 'H' if generated by RTP) Pos. 21-24 - Discretionary bank field (4 digit alpha numeric that can be used to serialize, identify specific systems, etc.) Pos. 25-35 - Message serial number (11 numeric characters)</p> <p>Length: 35</p> <p>Note(s): This format is not validated by the system, it is an example format only</p> <p>Example: 2016021812345678901BD61U00000000006</p>
<p>INDEX: 2.2 AdmnSignOnResp +SignOnResp ++InstgAgt</p>	<p>Name: Instructing Agent</p> <p>ISO Description: Agent that instructs the next party in the chain to carry out the (set of) instruction(s).</p> <p>XML Tag: <InstgAgt></p> <p>Occurrence: [1..1]</p>
<p>INDEX: 2.3 AdmnSignOnResp +SignOnResp ++InstgAgt +++FinInstnId</p>	<p>Name: Financial Institution Identification</p> <p>ISO Description: Unique and unambiguous identification of a financial institution, as assigned under an internationally recognised or proprietary identification scheme.</p> <p>XML Tag: <FinInstnId></p> <p>Occurrence: [1..1]</p>
<p>INDEX: 2.5</p>	<p>Name: Clearing System Member Identification</p>

Element	Details
AdmnSignOnResp +SignOnResp ++InstgAgt +++FinInstnId ++++ClrSysMmbld	<p>ISO Description: Information used to identify a member within a clearing system.</p> <p>XML Tag: <ClrSysMmbld></p> <p>Occurrence: [1..1]</p>
INDEX: 2.6	Name: Member Identification
AdmnSignOnResp +SignOnResp ++InstgAgt +++FinInstnId ++++ClrSysMmbld ++++Mmbld	<p>ISO Description: Identification of a member of a clearing system.</p> <p>Product Usage: Identification of RTP.</p> <p>XML Tag: <Mmbld></p> <p>Occurrence: [1..1]</p> <p>Format: 11 character Participant Identifier allocated to RTP.</p> <p>Length: 11</p> <p>Example: 990000001S1</p>
INDEX: 2.39	Name: Instructed Agent
AdmnSignOnResp +SignOnResp ++InstdAgt	<p>ISO Description: Agent that is instructed by the previous party in the chain to carry out the (set of) instruction(s).</p> <p>XML Tag: <InstdAgt></p> <p>Occurrence: [1..1]</p>
INDEX: 2.40	Name: Financial Institution Identification
AdmnSignOnResp +SignOnResp ++InstdAgt +++FinInstnId	<p>ISO Description: Unique and unambiguous identification of a financial institution, as assigned under an internationally recognised or proprietary identification scheme.</p> <p>XML Tag: <FinInstnId></p> <p>Occurrence: [1..1]</p>
INDEX: 2.42	Name: Clearing System Member Identification
AdmnSignOnResp +SignOnResp ++InstdAgt +++FinInstnId ++++ClrSysMmbld	<p>ISO Description: Information used to identify a member within a clearing system.</p> <p>XML Tag: <ClrSysMmbld></p> <p>Occurrence: [1..1]</p>
INDEX: 2.43	Name: Member Identification
AdmnSignOnResp +SignOnResp ++InstdAgt +++FinInstnId	<p>ISO Description: Identification of a member of a clearing system.</p> <p>Product Usage: The identifier allocated within the system to uniquely identify of the FI who originally requested the Sign-on.</p> <p>XML Tag: <Mmbld></p>

Element	Details
++++ClrSysMmbld ++++Mmbld	<p>Occurrence: [1..1]</p> <p>Format: 11 character Participant Identifier.</p> <p>Length: 11</p> <p>Rule(s): Member Identification must be a valid FI Participant ID held within the system.</p> <p>Example: 02120020101</p>
INDEX: 2.76 AdmnSignOnResp +SignOnResp ++Sts	<p>Name: Status</p> <p>ISO Description: Specifies the status of a group of payment instructions.</p> <p>XML Tag: <Sts></p> <p>Occurrence: [1..1]</p> <p>Length: 4</p> <p>Rule(s): Must be either 'ACTC' or 'RJCT'.</p> <p>Example: ACTC</p>
Permitted Codes	
	<p>ACTC Accepted</p> <p>RJCT Rejected</p>
INDEX: 2.77 AdmnSignOnResp +SignOnResp ++StsRsnInf	<p>Name: Status Reason Information</p> <p>ISO Description: Set of elements used to provide information on the status reason of the transaction.</p> <p>Product Usage: The Status Reason Information is only used if the Status Code is 'RJCT'.</p> <p>XML Tag: <StsRsnInf></p> <p>Occurrence: [0..1]</p> <p>Rule(s): If Reason/Code is equal to NARR, then AdditionalInformation must be present.</p>
INDEX: 2.121 AdmnSignOnResp +SignOnResp ++StsRsnInf +++Rsn	<p>Name: Reason</p> <p>ISO Description: Specifies the reason for the status report.</p> <p>XML Tag: <Rsn></p> <p>Occurrence: [1..1]</p>
INDEX: 2.123 AdmnSignOnResp +SignOnResp ++StsRsnInf +++Rsn	<p>Name: Proprietary</p> <p>ISO Description: Reason for the status, in a proprietary form.</p> <p>Product Usage: Reject reason code for a negative response to a Sign-On request (i.e. invalid Member Identification reason code '9664').</p> <p>XML Tag: <Prtry></p>

Element	Details
++++Prtry	<p>Occurrence: [1..1] Length: 4 Rule(s): Must be a valid Reason Code supported by RTP. Reason Code(s): The RTP Network will reject with code '650' in Administration Advice message (admi.002). Example: 9664</p>
	<p>Permitted Codes</p> <ul style="list-style-type: none">9946 Instructing Agent suspended9948 Service suspended9964 Invalid Participant IdentificationDS0H Signer is not allowed to sign for this accountRC02 Bank identifier is invalid or missing.

16.6 Sign-Off Request – admn.003.001.01

16.6.1 Scope

The FI uses a Sign-off Request Message to Sign-off from RTP.

The FI sends the Sign-off message to RTP in the event they need to bringing down their Real Time Payments (RTP) services (as an example this may be for a technical issue or some sort of maintenance). It is expected that FI Sign-off from RTP will be a rare event.

16.6.2 Message Structure Description

Index	XML Tag	Element Name	Occurr.	Length	M/O/C
	AdmnSignOffReq	Sign Off Request	[1..1]		M
1.0	GrpHdr	Group Header	[1..1]		M
1.1	MsgId	Message Identification	[1..1]	35	M
1.2	CreDtTm	Creation Date Time	[1..1]	23	M
2.0	SignOffReq	Sign Off Request	[1..1]		M
2.1	InstrId	Instruction Identification	[1..1]	35	M
2.2	InstgAgt	Instructing Agent	[1..1]		M
2.3	FinInstnId	Financial Institution Identification	[1..1]		M
2.5	ClrSysMmbld	Clearing System Member Identification	[1..1]		M
2.6	Mmbld	Member Identification	[1..1]	11	M
2.39	InstdAgt	Instructed Agent	[1..1]		M
2.40	FinInstnId	Financial Institution Identification	[1..1]		M
2.42	ClrSysMmbld	Clearing System Member Identification	[1..1]		M
2.43	Mmbld	Member Identification	[1..1]	11	M

16.6.3 Detail Message Field Description

Element	Details
AdmnSignOffReq	<p>Name: Sign Off Request</p> <p>ISO Description: The Sign-Off Request message is used to initiate a Sign-Off.</p> <p>Product Usage: An Instructing Agent uses the Sign-Off Request Message to perform a Sign-Off request to RTP. An Instructing Agent sends the Sign-Off message to RTP before bringing down their RealTime services for scheduled maintenance.</p> <p>XML Tag: <AdmnSignOffReq></p> <p>Occurrence: [1..1]</p>
INDEX: 1.0 AdmnSignOffReq +GrpHdr	<p>Name: Group Header</p> <p>ISO Description: Set of characteristics shared by all individual transactions included in the message.</p> <p>XML Tag: <GrpHdr></p> <p>Occurrence: [1..1]</p>
INDEX: 1.1 AdmnSignOffReq +GrpHdr ++MsgId	<p>Name: Message Identification</p> <p>ISO Description: Point to point reference, as assigned by the account servicing institution, and sent to the account owner or the party authorised to receive the message, to unambiguously identify the message. Usage: The account servicing institution has to make sure that MessageIdentification is unique per account owner for a pre-agreed period.</p> <p>Product Usage: Assigned by the Instructing FI or TPSP, this ID uniquely identifies the Sign-off request message. The Instructing FI or TPSP is responsible for ensuring the uniqueness of this field.</p> <p>XML Tag: <MsgId></p> <p>Occurrence: [1..1]</p> <p>Format: Format: YYYYMMDDHHMMSSbbbbbbbbbbXXXXXXXXXX</p> <p>Pos. 01-14 - File creation date in format YYYYMMDDHHMMSS Pos. 15-25 - 11 character Participant Identifier for FIs and TPSP Pos. 26-35 - Participant specific Message serial number (up to 10 characters)</p> <p>RegEx: [0-9]{4}(((01 03 05 07 08 10 12)((0[1-9]) ([1-2][0-9]) (3[0-1]))) ((04 06 09 11)((0[1-9]) ([1-2][0-9]) 30)) ((02)((0[1-9]) ([1-2][0-9]))) ((0[1-9]) ([1-2][0-9])) 2[0-3]) ([0-5][0-9])){2}[A-Z0-9]{11}.*</p> <p>Length: 35</p> <p>Rule(s): The Reference structure position 01 to 25 is validated for structural alignment according to the format specification.</p> <p>Reason Code(s): In case of structural failure the RTP Network will reject with code '650' in Administration Advice message (admi.002).</p> <p>Note(s): This format is partial validated by the system, it is an example format only</p> <p>Example: 2016021810050002120020101D61TV20TNI</p>

Element	Details
INDEX: 1.2 AdmnSignOffReq +GrpHdr ++CreDtTm	<p>Name: Creation Date Time</p> <p>ISO Description: Date and time at which the message was created.</p> <p>XML Tag: <CreDtTm></p> <p>Occurrence: [1..1]</p> <p>Format: YYYY-MM-DDThh:mm:ss.sss</p> <p>Length: 23</p> <p>Rule(s): Schema validated ISO date/time format expected.</p> <p>Reason Code(s): The RTP Network will reject with code '650' in Administration Advice message (admi.002).</p> <p>Note(s): The date is required to be set to Eastern Time (ET).</p> <p>Example: 2016-02-18T10:05:00.000</p>
INDEX: 2.0 AdmnSignOffReq +SignOffReq	<p>Name: Sign Off Request</p> <p>XML Tag: <SignOffReq></p> <p>Occurrence: [1..1]</p>
INDEX: 2.1 AdmnSignOffReq +SignOffReq ++InstrId	<p>Name: Instruction Identification</p> <p>ISO Description: Reference assigned by a sending party to unambiguously identify the sign-off request within the message.</p> <p>Product Usage: The Instruction Identifier is assigned by the Instructing FI or TPSP to uniquely identify the request. The Instructing FI / TPSP is responsible for ensuring the uniqueness of this message.</p> <p>XML Tag: <InstrId></p> <p>Occurrence: [1..1]</p> <p>Format: Format: YYYYMMDDbbbbbbbbbbBAAAAAnnnnnnnnnn Pos. 01-08 - File creation date in format YYYYMMDD Pos. 09-19 - Participant ID (11 characters) Pos. 20-20 - Message generation source ("B" if generated by a Participant) Pos. 21-24 - Discretionary bank field (4 digit alpha numeric that can be used to serialize, identify specific systems, etc.) Pos. 25-35 - Message serial number (11 numeric characters)</p> <p>RegEx: [0-9]{4}(((01 03 05 07 08 10 12)((0[1-9]) ([1-2][0-9]) (3[0-1]))) (((04 06 09 11)((0[1-9]) ([1-2][0-9]) 30)) ((02 ((0[1-9]) ([1-2][0-9])))))[A-Z0-9]{11}.*</p> <p>Length: 35</p> <p>Rule(s): The Instruction Identification structure position 01 to 19 is validated for structural alignment according to the format specification.</p> <p>Reason Code(s): In case of structural failure the RTP Network will reject with code '650' in Administration Advice message (admi.002).</p> <p>Note(s): This format is partial validated by the system, it is an example format only</p>

Element	Details
INDEX: 2.2 AdmnSignOffReq +SignOffReq ++InstgAgt	<p>Example: 2016021802120020101BD61U00000000006</p> <p>Name: Instructing Agent</p> <p>ISO Description: Agent that instructs the next party in the chain to carry out the (set of) instruction(s).</p> <p>XML Tag: <InstgAgt></p> <p>Occurrence: [1..1]</p>
INDEX: 2.3 AdmnSignOffReq +SignOffReq ++InstgAgt +++FinInstnId	<p>Name: Financial Institution Identification</p> <p>ISO Description: Unique and unambiguous identification of a financial institution, as assigned under an internationally recognised or proprietary identification scheme.</p> <p>XML Tag: <FinInstnId></p> <p>Occurrence: [1..1]</p>
INDEX: 2.5 AdmnSignOffReq +SignOffReq ++InstgAgt +++FinInstnId ++++ClrSysMmbld	<p>Name: Clearing System Member Identification</p> <p>ISO Description: Information used to identify a member within a clearing system.</p> <p>XML Tag: <ClrSysMmbld></p> <p>Occurrence: [1..1]</p>
INDEX: 2.6 AdmnSignOffReq +SignOffReq ++InstgAgt +++FinInstnId ++++ClrSysMmbld +++++Mmbld	<p>Name: Member Identification</p> <p>ISO Description: Identification of a member of a clearing system.</p> <p>Product Usage: The identifier allocated within the system to uniquely identify of the FI who Sign-off.</p> <p>XML Tag: <Mmbld></p> <p>Occurrence: [1..1]</p> <p>Format: 11 character Participant Identifier.</p> <p>Length: 11</p> <p>Rule(s): Member Identification must be a valid FI Participant ID held within the system and available to process messages.</p> <p>Reason Code(s): Reject in Sign-off Response message (adm.004) with code</p> <ul style="list-style-type: none"> - '9948' if RTP service is suspended - '9946' if FI Participant is suspended - 'RC02' if FI Participant does not exist within the system. - 'DSOH' if FI Participant does not belong to the sender of the message connectivity check <p>Example: 02120020101</p>
INDEX: 2.39 AdmnSignOffReq	<p>Name: Instructed Agent</p> <p>ISO Description: Agent that is instructed by the previous party in the chain to carry out the (set of) instruction(s).</p>

Element	Details
+SignOffReq ++InstdAgt	XML Tag: <InstdAgt> Occurrence: [1..1]
INDEX: 2.40 AdmnSignOffReq +SignOffReq ++InstdAgt +++FinInstnId	Name: Financial Institution Identification ISO Description: Unique and unambiguous identification of a financial institution, as assigned under an internationally recognised or proprietary identification scheme. XML Tag: <FinInstnId> Occurrence: [1..1]
INDEX: 2.42 AdmnSignOffReq +SignOffReq ++InstdAgt +++FinInstnId ++++ClrSysMmbld	Name: Clearing System Member Identification ISO Description: Information used to identify a member within a clearing system. XML Tag: <ClrSysMmbld> Occurrence: [1..1]
INDEX: 2.43 AdmnSignOffReq +SignOffReq ++InstdAgt +++FinInstnId ++++ClrSysMmbld +++++Mmbld	Name: Member Identification ISO Description: Identification of a member of a clearing system. Product Usage: Identification of RTP. XML Tag: <Mmbld> Occurrence: [1..1] Format: 11 character Participant Identifier allocated to RTP. Length: 11 Example: 990000001S1

16.7 Sign-Off Response – admn.004.001.01

16.7.1 Scope

RTP uses the Sign-Off Response Message to respond to the Sign-Off Request from an FI.

16.7.2 Message Structure Description

Index	XML Tag	Element Name	Occurr.	Length	M/O/C
	AdmnSignOffResp	Sign Off Response	[1..1]		M
1.0	GrpHdr	Group Header	[1..1]		M
1.1	MsgId	Message Identification	[1..1]	35	M
1.2	CreDtTm	Creation Date Time	[1..1]	23	M
2.0	SignOffResp	Sign Off Response	[1..1]		M
2.1	OrgnInstrId	Original Instruction Identification	[1..1]	35	M
2.2	InstgAgt	Instructing Agent	[1..1]		M
2.3	FinInstnId	Financial Institution Identification	[1..1]		M
2.5	ClrSysMmbld	Clearing System Member Identification	[1..1]		M
2.6	Mmbld	Member Identification	[1..1]	11	M
2.39	InstdAgt	Instructed Agent	[1..1]		M
2.40	FinInstnId	Financial Institution Identification	[1..1]		M
2.42	ClrSysMmbld	Clearing System Member Identification	[1..1]		M
2.43	Mmbld	Member Identification	[1..1]	11	M
2.76	Sts	Status	[1..1]	4	M
2.77	StsRsnInf	Status Reason Information	[0..1]		C
2.121	Rsn	Reason	[1..1]		M
2.123	Prtry	Proprietary	[1..1]	4	M

16.7.3 Detail Message Field Description

Element	Details
AdmnSignOffResp	<p>Name: Sign Off Response</p> <p>ISO Description: The Sign-Off Response message is a reply message to the Sign-Off Request.</p> <p>Product Usage: RTP uses the Sign-Off Response Message to respond to the Sign-Off request from a Participant.</p> <p>XML Tag: <AdmnSignOffResp></p> <p>Occurrence: [1..1]</p>
INDEX: 1.0 AdmnSignOffResp +GrpHdr	<p>Name: Group Header</p> <p>ISO Description: Set of characteristics shared by all individual transactions included in the message.</p> <p>XML Tag: <GrpHdr></p> <p>Occurrence: [1..1]</p>
INDEX: 1.1 AdmnSignOffResp +GrpHdr ++MsgId	<p>Name: Message Identification</p> <p>ISO Description: Point to point reference, as assigned by the account servicing institution, and sent to the account owner or the party authorised to receive the message, to unambiguously identify the message. Usage: The account servicing institution has to make sure that MessageIdentification is unique per account owner for a pre-agreed period.</p> <p>Product Usage: Unique identification that is assigned by RTP.</p> <p>XML Tag: <MsgId></p> <p>Occurrence: [1..1]</p> <p>Format: Format: YYYYMMDDHHMMSSbbbbbbbbbbXXXXXXXXXX</p> <p>Pos. 01-14 - File creation date in format YYYYMMDDHHMMSS Pos. 15-25 - 11 character Participant Identifier for RTP Pos. 26-35 - Participant specific Message serial number (up to 10 characters)</p> <p>Length: 35</p> <p>Note(s): This format is partial validated by the system, it is an example format only</p> <p>Example: 201202181005100990000001S161TV20FDAA</p>
INDEX: 1.2 AdmnSignOffResp +GrpHdr ++CreDtTm	<p>Name: Creation Date Time</p> <p>ISO Description: Date and time at which the message was created.</p> <p>XML Tag: <CreDtTm></p> <p>Occurrence: [1..1]</p> <p>Format: YYYY-MM-DDThh:mm:ss.sss</p> <p>Length: 23</p>

Element	Details
	<p>Rule(s): Schema validated ISO date/time format expected.</p> <p>Reason Code(s): The RTP Network will reject with code '650' in Administration Advice message (admi.002).</p> <p>Note(s): The date is required to be set to Eastern Time (ET).</p> <p>Example: 2016-02-18T10:05:10.000</p>
<p>INDEX: 2.0 AdmnSignOffResp +SignOffResp</p>	<p>Name: Sign Off Response</p> <p>XML Tag: <SignOffResp></p> <p>Occurrence: [1..1]</p>
<p>INDEX: 2.1 AdmnSignOffResp +SignOffResp ++OrgnlInstrId</p>	<p>Name: Original Instruction Identification</p> <p>ISO Description: Reference assigned by a sending party to unambiguously identify the sign-off request within the message.</p> <p>Product Usage: Original Instruction Identification of Sign-off message sent by the Participant.</p> <p>XML Tag: <OrgnlInstrId></p> <p>Occurrence: [1..1]</p> <p>Format: Format: YYYYMMDDbbbbbbbbbbXRRnnnnnnn Pos. 01-08 - File creation date in format YYYYMMDD Pos. 09-19 - 11 characters Participant Identifier Pos. 20-20 - Message generation source ('B' if generated by a Participant or TPSP, 'H' if generated by RTP) Pos. 21-24 - Discretionary bank field (4 digit alpha numeric that can be used to serialize, identify specific systems, etc.) Pos. 25-35 - Message serial number (11 numeric characters)</p> <p>Length: 35</p> <p>Note(s): This format is not validated by the system, it is an example format only</p> <p>Example: 2016021802120020101BD61U00000000006</p>
<p>INDEX: 2.2 AdmnSignOffResp +SignOffResp ++InstgAgt</p>	<p>Name: Instructing Agent</p> <p>ISO Description: Agent that instructs the next party in the chain to carry out the (set of) instruction(s).</p> <p>XML Tag: <InstgAgt></p> <p>Occurrence: [1..1]</p>
<p>INDEX: 2.3 AdmnSignOffResp +SignOffResp ++InstgAgt +++FinInstnId</p>	<p>Name: Financial Institution Identification</p> <p>ISO Description: Unique and unambiguous identification of a financial institution, as assigned under an internationally recognised or proprietary identification scheme.</p> <p>XML Tag: <FinInstnId></p> <p>Occurrence: [1..1]</p>
<p>INDEX: 2.5</p>	<p>Name: Clearing System Member Identification</p>

Element	Details
AdmnSignOffResp +SignOffResp ++InstgAgt +++FinInstnId ++++ClrSysMmbld	ISO Description: Information used to identify a member within a clearing system. XML Tag: <ClrSysMmbld> Occurrence: [1..1]
INDEX: 2.6 AdmnSignOffResp +SignOffResp ++InstgAgt +++FinInstnId ++++ClrSysMmbld +++++Mmbld	Name: Member Identification ISO Description: Identification of a member of a clearing system. Product Usage: Identification of RTP. XML Tag: <Mmbld> Occurrence: [1..1] Format: 11 character Participant Identifier allocated to RTP. Length: 11 Example: 990000001S1
INDEX: 2.39 AdmnSignOffResp +SignOffResp ++InstdAgt	Name: Instructed Agent ISO Description: Agent that is instructed by the previous party in the chain to carry out the (set of) instruction(s). XML Tag: <InstdAgt> Occurrence: [1..1]
INDEX: 2.40 AdmnSignOffResp +SignOffResp ++InstdAgt +++FinInstnId	Name: Financial Institution Identification ISO Description: Unique and unambiguous identification of a financial institution, as assigned under an internationally recognised or proprietary identification scheme. XML Tag: <FinInstnId> Occurrence: [1..1]
INDEX: 2.42 AdmnSignOffResp +SignOffResp ++InstdAgt +++FinInstnId ++++ClrSysMmbld	Name: Clearing System Member Identification ISO Description: Information used to identify a member within a clearing system. XML Tag: <ClrSysMmbld> Occurrence: [1..1]
INDEX: 2.43 AdmnSignOffResp +SignOffResp ++InstdAgt +++FinInstnId	Name: Member Identification ISO Description: Identification of a member of a clearing system. XML Tag: <Mmbld> Occurrence: [1..1]

Element	Details
++++ClrSysMmbld ++++Mmbld	Length: 11 Example: 02120020101
INDEX: 2.76 AdmnSignOffResp +SignOffResp ++Sts	Name: Status ISO Description: Specifies the status of a group of payment instructions. XML Tag: <Sts> Occurrence: [1..1] Length: 4 Rule(s): Must be either 'ACTC' or 'RJCT' Example: ACTC
	Permitted Codes
	ACTC Accepted RJCT Rejected
INDEX: 2.77 AdmnSignOffResp +SignOffResp ++StsRsnInf	Name: Status Reason Information ISO Description: Set of elements used to provide information on the status reason of the transaction. Product Usage: The Status Reason Information is only being use in case of Status Code 'RCJT'. XML Tag: <StsRsnInf> Occurrence: [0..1] Rule(s): If Reason/Code is equal to NARR, then AdditionalInformation must be present.
INDEX: 2.121 AdmnSignOffResp +SignOffResp ++StsRsnInf +++Rsn	Name: Reason ISO Description: Specifies the reason for the status report. XML Tag: <Rsn> Occurrence: [1..1]
INDEX: 2.123 AdmnSignOffResp +SignOffResp ++StsRsnInf +++Rsn ++++Prtry	Name: Proprietary ISO Description: Reason for the status, in a proprietary form. Product Usage: Reject reason code for the negative response of the sign-off request. XML Tag: <Prtry> Occurrence: [1..1] Length: 4 Rule(s): Must be a valid Reason Code supported by RTP.

Element	Details
	<p>Reason Code(s): The RTP Network will reject with code '650' in Administration Advice message (admi.002).</p> <p>Example: 9664</p>
	<p>Permitted Codes</p> <ul style="list-style-type: none">9946 Instructing Agent suspended9948 Service suspended9964 Invalid Participant IdentificationDS0H Signer is not allowed to sign for this accountRC02 Bank identifier is invalid or missing.

16.8 Echo Request – admn.005.001.01

16.8.1 Scope

Echo Messages are used to check Participant Connection responsiveness during periods of no transaction activity. The message exchange can be initiated by either the System or by a Participant (directly connected FI or Third Party Service Provider “TPSP”). The opposite party is required to respond to an Echo Request with an Echo Response.

The System initiates a message exchange at a configurable interval when there has been no message received or sent from a Participant Connection. The System marks the Participant Connection as being unavailable if, after a number of attempts (configurable), there is no Echo Response from the Participant, or other message received.

When the System next receives an incoming message from the Participant Connection, the Participant Connection is marked as being “available” again.

When a Connection status changes to available or unavailable, a broadcast SNM is sent to the RTP community, to advise them of the change.

Note: While RTP is required to send an Echo Request to ensure that Participants are available to receive messages and all Participants must respond to these requests, it is optional for a Participant to send an Echo Request to RTP.

16.8.2 Message Structure Description

Index	XML Tag	Element Name	Occurr.	Length	M/O/C
	AdmnEchoReq	Echo Request	[1..1]		M
1.0	GrpHdr	Group Header	[1..1]		M
1.1	MsgId	Message Identification	[1..1]	35	M
1.2	CreDtTm	Creation Date Time	[1..1]	23	M
2.0	EchoTxInf	Echo Transaction Information	[1..1]		M
2.1	FunctnCd	Function Code	[1..1]	3	M
2.2	InstrId	Instruction Identification	[1..1]	35	M
2.3	InstgAgt	Instructing Agent	[1..1]		M
2.4	FinInstnId	Financial Institution Identification	[1..1]		M
2.6	ClrSysMmbld	Clearing System Member Identification	[1..1]		M
2.7	Mmbld	Member Identification	[1..1]	11	M
2.40	InstdAgt	Instructed Agent	[1..1]		M
2.41	FinInstnId	Financial Institution Identification	[1..1]		M
2.43	ClrSysMmbld	Clearing System Member Identification	[1..1]		M
2.44	Mmbld	Member Identification	[1..1]	11	M

16.8.3 Detail Message Field Description

Element	Details
AdmnEchoReq	<p>Name: Echo Request</p> <p>ISO Description: The Echo Request message is used to perform a connectivity status check between a Participant and RTP.</p> <p>Product Usage: RTP and a Participant will use the Echo Request message to perform the connectivity status check. RTP will attempt to send an Echo Request only when there is no activity from a Participant for a pre-determined length of time (as configured by TCH). The Participant will be marked as Unavailable if no response is received after a number of retries or there are no further requests or responses from it. This will prevent the Participant from receiving or sending payment requests. A System Notification Message will be sent to all Participants to advise them of this unavailability. RTP is required to send an Echo Request in order to ensure that the Participant is available to receive payment requests. It is optional for a Participant to send Echo Request to RTP.</p> <p>XML Tag: <AdmnEchoReq></p> <p>Occurrence: [1..1]</p>
<p>INDEX: 1.0</p> <p>AdmnEchoReq +GrpHdr</p>	<p>Name: Group Header</p> <p>ISO Description: Set of characteristics shared by all individual transactions included in the message.</p> <p>XML Tag: <GrpHdr></p> <p>Occurrence: [1..1]</p>
<p>INDEX: 1.1</p> <p>AdmnEchoReq +GrpHdr ++MsgId</p>	<p>Name: Message Identification</p> <p>ISO Description: Point to point reference, as assigned by the account servicing institution, and sent to the account owner or the party authorised to receive the message, to unambiguously identify the message. Usage: The account servicing institution has to make sure that MessageIdentification is unique per account owner for a pre-agreed period.</p> <p>Product Usage: Assigned by the Instructing FI, TPSP or RTP. This ID uniquely identifies the Echo request message. The Instructing FI, TPSP or RTP (depending on who is sending the message) is responsible for ensuring the uniqueness of this field.</p> <p>XML Tag: <MsgId></p> <p>Occurrence: [1..1]</p> <p>Format: Format: YYYYMMDDHHMMSSbbbbbbbbbbXXXXXXXXXX</p> <p>Pos. 01-14 - File creation date in format YYYYMMDDHHMMSS Pos. 15-25 - 11 character Participant Identifier Pos. 26-35 - Participant specific Message serial number (up to 10 characters)</p> <p>RegEx: [0-9]{4}(((01 03 05 07 08 10 12)((0[1-9]) ([1-2][0-9]) (3[0-1])))) ((04 06 09 11)((0[1-9]) ([1-2][0-9]) 30)) ((02)((0[1-9]) ([1-2][0-9])))) (((0-1)[0-9]) (2[0-3])) ((0-5)[0-9]) 2)}[A-Z0-9]{11}.*</p> <p>Length: 35</p>

Element	Details
	<p>Rule(s): The Reference structure position 01 to 25 is validated for structural alignment according to the format specification.</p> <p>Reason Code(s): In case for structural validation failure, the RTP Network will reject with code '650' in Administration Advice message (admi.002).</p> <p>Note(s): This format is partial validated by the system, it is an example format only</p> <p>Example: 2016021814144799000001S1D61UBZ2TKM</p>
<p>INDEX: 1.2 AdmnEchoReq +GrpHdr ++CreDtTm</p>	<p>Name: Creation Date Time</p> <p>ISO Description: Date and time at which the message was created.</p> <p>XML Tag: <CreDtTm></p> <p>Occurrence: [1..1]</p> <p>Format: YYYY-MM-DDThh:mm:ss.sss</p> <p>Length: 23</p> <p>Rule(s): Schema validated ISO date/time format expected.</p> <p>Reason Code(s): The RTP Network will reject with code '650' in Administration Advice message (admi.002).</p> <p>Note(s): The date is required to be set to Eastern Time (ET).</p> <p>Example: 2016-02-18T14:14:47</p>
<p>INDEX: 2.0 AdmnEchoReq +EchoTxInf</p>	<p>Name: Echo Transaction Information</p> <p>XML Tag: <EchoTxInf></p> <p>Occurrence: [1..1]</p>
<p>INDEX: 2.1 AdmnEchoReq +EchoTxInf ++FnctnCd</p>	<p>Name: Function Code</p> <p>ISO Description: Specification of the Function Code.</p> <p>XML Tag: <FnctnCd></p> <p>Occurrence: [1..1]</p> <p>RegEx: [0-9]{1,3}</p> <p>Length: 3</p> <p>Rule(s): Expected value of '731' for echo test.</p> <p>Reason Code(s): The RTP Network will reject with code '650' in Administration Advice message (admi.002).</p> <p>Example: 731</p>
<p>INDEX: 2.2 AdmnEchoReq +EchoTxInf</p>	<p>Name: Instruction Identification</p> <p>ISO Description: Reference assigned by a sending party to unambiguously identify the echo request within the message.</p>

Element	Details
++InstrId	<p>Product Usage: Depending on the originator of the message, the Instruction Identifier is assigned by either the Instructing FI, TPSP or by RTP, to uniquely identify the request.</p> <p>XML Tag: <InstrId></p> <p>Occurrence: [1..1]</p> <p>Format: Format: YYYYMMDDbbbbbbbbbbXRRnnnnnnn</p> <p>Pos. 01-08 - File creation date in format YYYYMMDD Pos. 09-19 - 11 characters Participant Identifier Pos. 20-20 - Message generation source ('B' if generated by a Participant or TPSP, 'H' if generated by RTP) Pos. 21-24 - Discretionary bank field (4 digit alpha numeric that can be used to serialize, identify specific systems, etc.) Pos. 25-35 - Message serial number (11 numeric characters)</p> <p>RegEx: [0-9]{4}(((01 03 05 07 08 10 12)((0[1-9]) ([1-2][0-9]) (3[0-1]))) ((04 06 09 11)((0[1-9]) ([1-2][0-9]) 30)) ((02)((0[1-9]) ([1-2][0-9])))))[A-Z0-9]{11}.*</p> <p>Length: 35</p> <p>Rule(s): The Instruction Identification structure position 01 to 19 is validated for structural alignment according to the format specification.</p> <p>Reason Code(s): In case for structural validation failure, the RTP Network will reject with code '650' in Administration Advice message (admi.002).</p> <p>Note(s): This format is partial validated by the system, it is an example format only</p> <p>Example: 20160218990000001S1BD61U00000000006</p>
INDEX: 2.3 AdmnEchoReq +EchoTxInf ++InstgAgt	<p>Name: Instructing Agent</p> <p>ISO Description: Agent that instructs the next party in the chain to carry out the (set of) instruction(s).</p> <p>XML Tag: <InstgAgt></p> <p>Occurrence: [1..1]</p>
INDEX: 2.4 AdmnEchoReq +EchoTxInf ++InstgAgt +++FinInstnId	<p>Name: Financial Institution Identification</p> <p>ISO Description: Unique and unambiguous identification of a financial institution, as assigned under an internationally recognised or proprietary identification scheme.</p> <p>XML Tag: <FinInstnId></p> <p>Occurrence: [1..1]</p>
INDEX: 2.6 AdmnEchoReq +EchoTxInf ++InstgAgt	<p>Name: Clearing System Member Identification</p> <p>ISO Description: Information used to identify a member within a clearing system.</p> <p>XML Tag: <ClrSysMmbId></p>

Element	Details
+++FinInstnId ++++ClrSysMmbld	Occurrence: [1..1]
INDEX: 2.7 AdmnEchoReq +EchoTxInf ++InstgAgt +++FinInstnId ++++ClrSysMmbld ++++Mmbld	<p>Name: Member Identification</p> <p>ISO Description: Identification of a member of a clearing system.</p> <p>Product Usage: Depending on the originator of the message, the Member Identification will either be:</p> <ul style="list-style-type: none"> - The Participant Identifier of the directly connected FI - The allocated Participant Identifier of the TPSP - The allocated Participant Identifier of RTP <p>XML Tag: <Mmbld></p> <p>Occurrence: [1..1]</p> <p>Format: 11 character Participant Identifier</p> <p>Length: 11</p> <p>Rule(s): The admn.006 response message for an admn.005 is not able to support a Reason Code. The Echo request (admn.005) will be ignored, and a log message will be generated based on an SNMP trap.</p> <p>Example: 990000001S1</p>
INDEX: 2.40 AdmnEchoReq +EchoTxInf ++InstdAgt	<p>Name: Instructed Agent</p> <p>ISO Description: Agent that is instructed by the previous party in the chain to carry out the (set of) instruction(s).</p> <p>XML Tag: <InstdAgt></p> <p>Occurrence: [1..1]</p>
INDEX: 2.41 AdmnEchoReq +EchoTxInf ++InstdAgt +++FinInstnId	<p>Name: Financial Institution Identification</p> <p>ISO Description: Unique and unambiguous identification of a financial institution, as assigned under an internationally recognised or proprietary identification scheme.</p> <p>XML Tag: <FinInstnId></p> <p>Occurrence: [1..1]</p>
INDEX: 2.43 AdmnEchoReq +EchoTxInf ++InstdAgt +++FinInstnId ++++ClrSysMmbld	<p>Name: Clearing System Member Identification</p> <p>ISO Description: Information used to identify a member within a clearing system.</p> <p>XML Tag: <ClrSysMmbld></p> <p>Occurrence: [1..1]</p>
INDEX: 2.44 AdmnEchoReq	<p>Name: Member Identification</p> <p>ISO Description: Identification of a member of a clearing system.</p>

Element	Details
+EchoTxInf ++InstdAgt +++FinInstnId ++++ClrSysMmbld +++++Mmbld	<p>Product Usage: Depending on the originator of the message, the Member Identification will either be:</p> <ul style="list-style-type: none"> - The Participant Identifier of the directly connected FI - The allocated Participant Identifier of the TPSP - The allocated Participant Identifier of RTP <p>XML Tag: <Mmbld></p> <p>Occurrence: [1..1]</p> <p>Format: 11 character Participant Identifier</p> <p>Length: 11</p> <p>Rule(s): The admn.006 response message for an admn.005 is not able to support a Reason Code. The Echo request (admn.005) will be ignored, and a log message will be generated based on an SNMP trap.</p> <p>Example: 123456789A1</p>

16.9 Echo Response – admn.006.001.01

16.9.1 Scope

RTP and Participants will use the Echo Response message to reply to the Echo Request message. This implies that the Participant Connection or RTP is available to send / receive messages.

16.9.2 Message Structure Description

Index	XML Tag	Element Name	Occurr.	Length	M/O/C
	AdmnEchoResp	Echo Response	[1..1]		M
1.0	GrpHdr	Group Header	[1..1]		M
1.1	MsgId	Message Identification	[1..1]	35	M
1.2	CreDtTm	Creation Date Time	[1..1]	23	M
2.0	EchoResponse	Echo Response	[1..1]		M
2.1	InstgAgt	Instructing Agent	[1..1]		M
2.2	FinInstnId	Financial Institution Identification	[1..1]		M
2.4	ClrSysMmbld	Clearing System Member Identification	[1..1]		M
2.5	Mmbld	Member Identification	[1..1]	11	M
2.38	InstdAgt	Instructed Agent	[1..1]		M
2.39	FinInstnId	Financial Institution Identification	[1..1]		M
2.41	ClrSysMmbld	Clearing System Member Identification	[1..1]		M
2.42	Mmbld	Member Identification	[1..1]	11	M
2.75	OrgnInstrId	Original Instruction Identification	[1..1]	35	M
2.76	FctnCd	Function Code	[1..1]	3	M
2.77	TxSts	Transaction Status	[1..1]	4	M

16.9.3 Detail Message Field Description

Element	Details
AdmnEchoResp	<p>Name: Echo Response</p> <p>ISO Description: The Echo Response message is a response to an Echo Request message.</p> <p>Product Usage: RTP and a Participant will use the Echo Response message to reply to the Echo Request message.</p> <p>XML Tag: <AdmnEchoResp></p> <p>Occurrence: [1..1]</p>
INDEX: 1.0 AdmnEchoResp +GrpHdr	<p>Name: Group Header</p> <p>ISO Description: Set of characteristics shared by all individual transactions included in the message.</p> <p>XML Tag: <GrpHdr></p> <p>Occurrence: [1..1]</p>
INDEX: 1.1 AdmnEchoResp +GrpHdr ++MsgId	<p>Name: Message Identification</p> <p>ISO Description: Point to point reference, as assigned by the account servicing institution, and sent to the account owner or the party authorised to receive the message, to unambiguously identify the message. Usage: The account servicing institution has to make sure that MessageIdentification is unique per account owner for a pre-agreed period.</p> <p>Product Usage: Assigned by the Instructing FI, TPSP, or RTP. This ID uniquely identifies the Echo response message. The Instructing FI, TPSP, or RTP (depending on who is sending the message) is responsible for ensuring the uniqueness of the message.</p> <p>XML Tag: <MsgId></p> <p>Occurrence: [1..1]</p> <p>Format: Format: YYYYMMDDHHMMSSbbbbbbbbbbXXXXXXXXXX</p> <p>Pos. 01-14 - File creation date in format YYYYMMDDHHMMSS Pos. 15-25 - 11 character Participant Identifier Pos. 26-35 - Participant specific Message serial number (up to 10 characters)</p> <p>RegEx: [0-9]{4}(((01 03 05 07 08 10 12)((0[1-9]) ([1-2][0-9]) (3[0-1]))) ((04 06 09 11)((0[1-9]) ([1-2][0-9]) 30)) ((02)((0[1-9]) ([1-2][0-9]))) ((0[1-9]) (2[0-3])) ((0[5][0-9]) 2)}[A-Z0-9]{11}.*</p> <p>Length: 35</p> <p>Rule(s): The Reference structure position 01 to 25 is validated for structural alignment according to the format specification.</p> <p>Reason Code(s): In case for structural validation failure, the RTP Network will reject with code '650' in Administration Advice message (admi.002).</p> <p>Note(s): This format is partial validated by the system, it is an example format only</p>

Element	Details
INDEX: 1.2 AdmnEchoResp +GrpHdr ++CreDtTm	<p>Example: 20160218141452123456789A1D61UF21JT5</p> <p>Name: Creation Date Time</p> <p>ISO Description: Date and time at which the message was created.</p> <p>XML Tag: <CreDtTm></p> <p>Occurrence: [1..1]</p> <p>Format: YYYY-MM-DDThh:mm:ss.sss</p> <p>Length: 23</p> <p>Rule(s): Schema validated ISO date/time format expected.</p> <p>Reason Code(s): The RTP Network will reject with code '650' in Administration Advice message (admi.002).</p> <p>Note(s): The date is required to be set to Eastern Time (ET).</p> <p>Example: 2016-02-18T14:14:52.</p>
INDEX: 2.0 AdmnEchoResp +EchoResponse	<p>Name: Echo Response</p> <p>XML Tag: <EchoResponse></p> <p>Occurrence: [1..1]</p>
INDEX: 2.1 AdmnEchoResp +EchoResponse ++InstgAgt	<p>Name: Instructing Agent</p> <p>ISO Description: Agent that instructs the next party in the chain to carry out the (set of) instruction(s).</p> <p>XML Tag: <InstgAgt></p> <p>Occurrence: [1..1]</p>
INDEX: 2.2 AdmnEchoResp +EchoResponse ++InstgAgt +++FinInstnId	<p>Name: Financial Institution Identification</p> <p>ISO Description: Unique and unambiguous identification of a financial institution, as assigned under an internationally recognised or proprietary identification scheme.</p> <p>XML Tag: <FinInstnId></p> <p>Occurrence: [1..1]</p>
INDEX: 2.4 AdmnEchoResp +EchoResponse ++InstgAgt +++FinInstnId ++++ClrSysMmbld	<p>Name: Clearing System Member Identification</p> <p>ISO Description: Information used to identify a member within a clearing system.</p> <p>XML Tag: <ClrSysMmbld></p> <p>Occurrence: [1..1]</p>
INDEX: 2.5 AdmnEchoResp	<p>Name: Member Identification</p> <p>ISO Description: Identification of a member of a clearing system.</p>

Element	Details
+EchoResponse ++InstgAgt +++FinInstnId ++++ClrSysMmbld +++++Mmbld	<p>Product Usage: Depending on the originator of the message, the Member Identification will either be:</p> <ul style="list-style-type: none"> - The Participant Identifier of the directly connected FI - The allocated Participant Identifier of the TPSP - The allocated Participant Identifier of RTP <p>XML Tag: <Mmbld></p> <p>Occurrence: [1..1]</p> <p>Format: 11 character Participant Identifier</p> <p>Length: 11</p> <p>Example: 123456789A1</p>
INDEX: 2.38 AdmnEchoResp +EchoResponse ++InstdAgt	<p>Name: Instructed Agent</p> <p>ISO Description: Agent that is instructed by the previous party in the chain to carry out the (set of) instruction(s).</p> <p>XML Tag: <InstdAgt></p> <p>Occurrence: [1..1]</p>
INDEX: 2.39 AdmnEchoResp +EchoResponse ++InstdAgt +++FinInstnId	<p>Name: Financial Institution Identification</p> <p>ISO Description: Unique and unambiguous identification of a financial institution, as assigned under an internationally recognised or proprietary identification scheme.</p> <p>XML Tag: <FinInstnId></p> <p>Occurrence: [1..1]</p>
INDEX: 2.41 AdmnEchoResp +EchoResponse ++InstdAgt +++FinInstnId ++++ClrSysMmbld	<p>Name: Clearing System Member Identification</p> <p>ISO Description: Information used to identify a member within a clearing system.</p> <p>XML Tag: <ClrSysMmbld></p> <p>Occurrence: [1..1]</p>
INDEX: 2.42 AdmnEchoResp +EchoResponse ++InstdAgt +++FinInstnId ++++ClrSysMmbld +++++Mmbld	<p>Name: Member Identification</p> <p>ISO Description: Identification of a member of a clearing system.</p> <p>Product Usage: Depending on the originator of the message, the Member Identification will either be:</p> <ul style="list-style-type: none"> - The Participant Identifier of the directly connected FI - The allocated Participant Identifier of the TPSP - The allocated Participant Identifier of RTP <p>XML Tag: <Mmbld></p> <p>Occurrence: [1..1]</p>

Element	Details
	<p>Format: 11 character Participant Identifier Length: 11 Example: 990000001S1</p>
<p>INDEX: 2.75 AdmnEchoResp +EchoResponse ++OrgnInstrId</p>	<p>Name: Original Instruction Identification ISO Description: Reference assigned by a sending party to unambiguously identify the echo request within the message. Product Usage: Original Instruction Identification for the Echo Request (admn.005). XML Tag: <OrgnInstrId> Occurrence: [1..1] Format: Format: YYYYMMDDbbbbbbbbbbXRRnnnnnnn Pos. 01-08 - File creation date in format YYYYMMDD Pos. 09-19 - 11 characters Participant Identifier Pos. 20-20 - Message generation source ('B' if generated by a Participant or TPSP, 'H' if generated by RTP) Pos. 21-24 - Discretionary bank field (4 digit alpha numeric that can be used to serialize, identify specific systems, etc.) Pos. 25-35 - Message serial number (11 numeric characters) Length: 35 Note(s): This format is not validated by the system, it is an example format only Example: 20160218990000001S1BD61U00000000006</p>
<p>INDEX: 2.76 AdmnEchoResp +EchoResponse ++FnctnCd</p>	<p>Name: Function Code ISO Description: Specification of the Function Code. XML Tag: <FnctnCd> Occurrence: [1..1] RegEx: [0-9]{1,3} Length: 3 Rule(s): Expected value of '731' for echo test. Reason Code(s): The RTP Network will reject with code '650' in Administration Advice message (admi.002). Example: 731</p>
<p>INDEX: 2.77 AdmnEchoResp +EchoResponse ++TxSts</p>	<p>Name: Transaction Status ISO Description: Specifies the status of a single payment instruction. Product Usage: The transaction status of the item. XML Tag: <TxSts></p>

Element	Details
	<p>Occurrence: [1..1] Length: 4 Rule(s): Expected value is 'ACTC' Reason Code(s): The RTP Network will reject with code '650' in Administration Advice message (admi.002). Note(s): There is no need for a reason code 'RJCT' as this is a 'heartbeat' message. If this fails no response message is generated. Example: ACTC</p>
	<p>Permitted Codes</p> <p>ACTC Accepted</p>

16.10 Database Report Request – admn.007.001.01

This chapter defines the standard message formats used in the RTP system for sending a Request to provide Database or Back-Office Reports back to the Participant

This chapter covers the following:

- The message structure of the admn.007 used in RTP for the Report Request
- The message structure of the admn.008 used in RTP for the Participants Unable to TransactReport
- The required data types and usage rules of the data fields in these messages

16.10.1 Scope

The Database Report Request message provides:

- The ability for the Participant to request customer specific defined Database or Back-Office Reports on an ad-hoc basis.

Note: At this point only the Participants Unable to Transact Report can be requested

16.10.2 Message Structure Description

Index	XML Tag	Element Name	Occurr.	Length	M/O/C
	DBRptReq	Database Report Request	[1..1]		M
1.0	GrpHdr	Group Header	[1..1]		M
1.1	MsgId	Message Identification	[1..1]	35	M
1.2	CreDtTm	Creation Date Time	[1..1]	23	M
2.0	DBRptInf	Database Report Information	[1..1]		M
2.1	RptCd	Report Code	[1..1]	6	M
2.2	InstrId	Instruction Identification	[1..1]	35	M
2.3	InstgAgt	Instructing Agent	[1..1]		M
2.4	FinInstnId	Financial Institution Identification	[1..1]		M
2.6	ClrSysMmbld	Clearing System Member Identification	[1..1]		M
2.7	Mmbld	Member Identification	[1..1]	11	M
2.40	InstdAgt	Instructed Agent	[1..1]		M
2.41	FinInstnId	Financial Institution Identification	[1..1]		M
2.43	ClrSysMmbld	Clearing System Member Identification	[1..1]		M
2.44	Mmbld	Member Identification	[1..1]	11	M

16.10.3 Detail Message Field Description

Element	Details
DBRptReq	<p>Name: Database Report Request</p> <p>ISO Description: The Database Report Request message is used to perform a request for report retrieval from the Database or Back Office.</p> <p>Product Usage: Participants will use the Database Report Request message to request specific customer defined reports from the Database or Back Office.</p> <p>XML Tag: <DBRptReq></p> <p>Occurrence: [1..1]</p>
INDEX: 1.0 DBRptReq +GrpHdr	<p>Name: Group Header</p> <p>ISO Description: Set of characteristics shared by all individual transactions included in the message.</p> <p>XML Tag: <GrpHdr></p> <p>Occurrence: [1..1]</p>
INDEX: 1.1 DBRptReq +GrpHdr ++MsgId	<p>Name: Message Identification</p> <p>ISO Description: Point to point reference, as assigned by the account servicing institution, and sent to the account owner or the party authorised to receive the message, to unambiguously identify the message. Usage: The account servicing institution has to make sure that MessageIdentification is unique per account owner for a pre-agreed period.</p> <p>Product Usage: Assigned by the Instructing FI or TPSP, this ID uniquely identifies the Database Report request message. The Instructing FI or TPSP is responsible for ensuring the uniqueness of this field.</p> <p>XML Tag: <MsgId></p> <p>Occurrence: [1..1]</p> <p>Format: Format: YYYYMMDDHHMMSSbbbbbbbbbbXXXXXXXXXX</p> <p>Pos. 01-14 - Current date/time in format YYYYMMDDHHMMSS Pos. 15-25 - 11 character Participant Identifier for the sending Participant or TPSP Pos. 26-35 - Participant specific Message serial number (up to 10 characters)</p> <p>RegEx: [0-9]{4}(((01 03 05 07 08 10 12)((0[1-9]) ([1-2][0-9]) (3[0-1]))) ((04 06 09 11)((0[1-9]) ([1-2][0-9]) 30)) ((02)((0[1-9]) ([1-2][0-9]))) ((0[1-9]) ([1-2][0-9])) ([1-2][0-9]) 2[0-3]) ([0-5][0-9]) 2)}[A-Z0-9]{11}.*</p> <p>Length: 35</p> <p>Rule(s): The Reference structure position 01 to 25 is validated for structural alignment according to the format specification.</p> <p>Reason Code(s): In case of structural failure the RTP Network will reject with code '650' in Administration Advice message (admi.002).</p> <p>Note(s): This format is partial validated by the system, it is an example format only</p> <p>Example: 2016021810050002120020101D61TV20TNI</p>

Element	Details
INDEX: 1.2 DBRptReq +GrpHdr ++CreDtTm	<p>Name: Creation Date Time</p> <p>ISO Description: Date and time at which the message was created.</p> <p>XML Tag: <CreDtTm></p> <p>Occurrence: [1..1]</p> <p>Format: YYYY-MM-DDThh:mm:ss.sss</p> <p>Length: 23</p> <p>Rule(s): Schema validated ISO date/time format expected.</p> <p>Reason Code(s): The RTP Network will reject with code '650' in Administration Advice message (admi.002).</p> <p>Note(s): The date is required to be set to Eastern Time (ET).</p> <p>Example: 2016-02-18T14:14:47.000</p>
INDEX: 2.0 DBRptReq +DBRptInf	<p>Name: Database Report Information</p> <p>XML Tag: <DBRptInf></p> <p>Occurrence: [1..1]</p>
INDEX: 2.1 DBRptReq +DBRptInf ++RptCd	<p>Name: Report Code</p> <p>ISO Description: Specification of the Report Code.</p> <p>XML Tag: <RptCd></p> <p>Occurrence: [1..1]</p> <p>Length: 6</p>
	<p>Permitted Codes</p> <p>AVLBTY Avalability Report for Connectivity and Participant Status</p>
INDEX: 2.2 DBRptReq +DBRptInf ++InstrId	<p>Name: Instruction Identification</p> <p>ISO Description: Reference assigned by a sending party to unambiguously identify the echo request within the message.</p> <p>Product Usage: Unique identifier for the message, as assigned by the Instructing FI or TPSP.</p> <p>XML Tag: <InstrId></p> <p>Occurrence: [1..1]</p> <p>Format: Format: YYYYMMDDbbbbbbbbbbXRRnnnnnnn Pos. 01-08 - File creation date in format YYYYMMDD Pos. 09-19 - 11 characters Participant Identifier Pos. 20-20 - Message generation source ('B' if generated by a Participant or TPSP) Pos. 21-24 - Discretionary bank field (4 digit alpha numeric that can be used to serialize, identify specific systems, etc.) Pos. 25-35 - Message serial number (11 numeric characters)</p>

Element	Details
	<p>RegEx: [0-9]{4}(((01 03 05 07 08 10 12)((0[1-9]) ([1-2][0-9]) (3[0-1])) ((04 06 09 11)((0[1-9]) ([1-2][0-9]) 30)) ((02)((0[1-9]) ([1-2][0-9])))))[A-Z0-9]{11}.*</p> <p>Length: 35</p> <p>Rule(s): The Instruction Identification structure position 01 to 19 is validated for structural alignment according to the format specification.</p> <p>Reason Code(s): In case of structural failure the RTP Network will reject with code '650' in Administration Advice message (admi.002).</p> <p>Note(s): This format is partial validated by the system, it is an example format only</p> <p>Example: 20160218990000001S1BD61U00000000006</p>
<p>INDEX: 2.3 DBRptReq +DBRptInf ++InstgAgt</p>	<p>Name: Instructing Agent</p> <p>ISO Description: Agent that instructs the next party in the chain to carry out the (set of) instruction(s).</p> <p>XML Tag: <InstgAgt></p> <p>Occurrence: [1..1]</p>
<p>INDEX: 2.4 DBRptReq +DBRptInf ++InstgAgt +++FinInstnId</p>	<p>Name: Financial Institution Identification</p> <p>ISO Description: Unique and unambiguous identification of a financial institution, as assigned under an internationally recognised or proprietary identification scheme.</p> <p>XML Tag: <FinInstnId></p> <p>Occurrence: [1..1]</p>
<p>INDEX: 2.6 DBRptReq +DBRptInf ++InstgAgt +++FinInstnId ++++ClrSysMmbld</p>	<p>Name: Clearing System Member Identification</p> <p>ISO Description: Information used to identify a member within a clearing system.</p> <p>XML Tag: <ClrSysMmbld></p> <p>Occurrence: [1..1]</p>
<p>INDEX: 2.7 DBRptReq +DBRptInf ++InstgAgt +++FinInstnId ++++ClrSysMmbld +++++Mmbld</p>	<p>Name: Member Identification</p> <p>ISO Description: Identification of a member of a clearing system.</p> <p>Product Usage: The identifier allocated within the system to uniquely identify of the FI who requests the database report.</p> <p>XML Tag: <Mmbld></p> <p>Occurrence: [1..1]</p> <p>Format: 11 character Participant Identifier</p> <p>Length: 11</p> <p>Example: 02120020101</p>

Element	Details
INDEX: 2.40 DBRptReq +DBRptInf ++InstdAgt	Name: Instructed Agent ISO Description: Agent that is instructed by the previous party in the chain to carry out the (set of) instruction(s). XML Tag: <InstdAgt> Occurrence: [1..1]
INDEX: 2.41 DBRptReq +DBRptInf ++InstdAgt +++FinInstnId	Name: Financial Institution Identification ISO Description: Unique and unambiguous identification of a financial institution, as assigned under an internationally recognised or proprietary identification scheme. XML Tag: <FinInstnId> Occurrence: [1..1]
INDEX: 2.43 DBRptReq +DBRptInf ++InstdAgt +++FinInstnId ++++ClrSysMmbld	Name: Clearing System Member Identification ISO Description: Information used to identify a member within a clearing system. XML Tag: <ClrSysMmbld> Occurrence: [1..1]
INDEX: 2.44 DBRptReq +DBRptInf ++InstdAgt +++FinInstnId ++++ClrSysMmbld +++++Mmbld	Name: Member Identification ISO Description: Identification of a member of a clearing system. Product Usage: Identification of RTP. XML Tag: <Mmbld> Occurrence: [1..1] Format: 11 character Participant Identifier allocated to RTP. Length: 11 Example: 990000001S1

16.11 Participants Unable to Transact Report – admn.008.001.01

16.11.1 Scope

RTP uses the Participants Unable to Transact Message to respond to the Database Report request with report code 'AVLBTY'. The report includes a list of Connections that are Unavailable, Participants that are Signed-Off, and Participants that are Suspended. The Participant or TPSP that send the Database Report Request can use this information to update the local copy of their routing table with the current Participant Availability Status.

16.11.2 Message Structure Description

Index	XML Tag	Element Name	Occurr.	Length	M/O/C
	DBAvlbyRpt	Database Availability Report	[1..1]		M
1.0	GrpHdr	Group Header	[1..1]		M
1.1	MsgId	Message Identification	[1..1]	35	M
1.2	CreDtTm	Creation Date Time	[1..1]	23	M
2.0	DBRptRspn	Database Report Reponse	[1..1]		M
2.1	OrgnlInstrId	Original Instruction Identification	[1..1]	35	M
2.2	RptCd	Report Code	[1..1]	6	M
2.3	InstgAgt	Instructing Agent	[1..1]		M
2.4	FinInstnId	Financial Institution Identification	[1..1]		M
2.6	ClrSysMmbld	Clearing System Member Identification	[1..1]		M
2.7	Mmbld	Member Identification	[1..1]	11	M
2.40	InstdAgt	Instructed Agent	[1..1]		M
2.41	FinInstnId	Financial Institution Identification	[1..1]		M
2.43	ClrSysMmbld	Clearing System Member Identification	[1..1]		M
2.44	Mmbld	Member Identification	[1..1]	11	M
2.77	TxSts	Transaction Status	[1..1]	4	M
3.0	AvlbyRpt	Availability Report	[1..1]		M
3.1	Cnnctn	Connection	[0..1]		C
3.2	CnnctnId	Connection Identification	[1..n]	20	M
3.3	AvlbyPtcpt	Availability Participant	[0..1]		C
3.4	PtcptSgnOff	Participant Sign Off	[0..1]		C
3.5	PtcptId	Participant Identification	[1..n]	11	M
3.6	PtcptSspd	Participant Suspended	[0..1]		C
3.7	PtcptId	Participant Identification	[1..n]	11	M

16.11.3 Detail Message Field Description

Element	Details
DBAvlbtyRpt	<p>Name: Database Availability Report</p> <p>ISO Description: The Database Report Request message is used to perform a request for report retrieval from the Database or Back Office.</p> <p>Product Usage: Report response to admn.007 for Participant Availability and Connectivity status.</p> <p>XML Tag: <DBAvlbtyRpt></p> <p>Occurrence: [1..1]</p>
INDEX: 1.0 DBAvlbtyRpt +GrpHdr	<p>Name: Group Header</p> <p>ISO Description: Set of characteristics shared by all individual transactions included in the message.</p> <p>XML Tag: <GrpHdr></p> <p>Occurrence: [1..1]</p>
INDEX: 1.1 DBAvlbtyRpt +GrpHdr ++MsgId	<p>Name: Message Identification</p> <p>ISO Description: Point to point reference, as assigned by the account servicing institution, and sent to the account owner or the party authorised to receive the message, to unambiguously identify the message. Usage: The account servicing institution has to make sure that MessageIdentification is unique per account owner for a pre-agreed period.</p> <p>Product Usage: Unique identification that is assigned by RTP.</p> <p>XML Tag: <MsgId></p> <p>Occurrence: [1..1]</p> <p>Length: 35</p> <p>Example: 20160218100653990000001S1B61NHDDM21</p>
INDEX: 1.2 DBAvlbtyRpt +GrpHdr ++CreDtTm	<p>Name: Creation Date Time</p> <p>ISO Description: Date and time at which the message was created.</p> <p>XML Tag: <CreDtTm></p> <p>Occurrence: [1..1]</p> <p>Format: YYYY-MM-DDThh:mm:ss.sss</p> <p>Length: 23</p> <p>Rule(s): Schema validated ISO date/time format expected.</p> <p>Reason Code(s): The RTP Network will reject with code '650' in Administration Advice message (admi.002).</p> <p>Note(s): The date is required to be set to Eastern Time (ET).</p> <p>Example: 2016-02-18T14:14:47.000</p>
INDEX: 2.0	

Element	Details
DBAvlbtyRpt +DBRptRspn	<p>Name: Database Report Reponse</p> <p>XML Tag: <DBRptRspn></p> <p>Occurrence: [1..1]</p>
INDEX: 2.1 DBAvlbtyRpt +DBRptRspn ++OrgnlInstrld	<p>Name: Original Instruction Identification</p> <p>ISO Description: Reference assigned by a sending party to unambiguously identify the echo request within the message.</p> <p>Product Usage: Instruction ID from the original Database Report Request.</p> <p>XML Tag: <OrgnlInstrld></p> <p>Occurrence: [1..1]</p> <p>Length: 35</p>
INDEX: 2.2 DBAvlbtyRpt +DBRptRspn ++RptCd	<p>Name: Report Code</p> <p>ISO Description: Specification of the Report Code.</p> <p>Product Usage: Fixed 'AVLBTY' to identify the response as the Participants Unable to Transact Report</p> <p>XML Tag: <RptCd></p> <p>Occurrence: [1..1]</p> <p>Length: 6</p>
Permitted Codes	
	AVLBTY Avalability Report for Connectivity and Participant Status
INDEX: 2.3 DBAvlbtyRpt +DBRptRspn ++InstgAgt	<p>Name: Instructing Agent</p> <p>ISO Description: Agent that instructs the next party in the chain to carry out the (set of) instruction(s).</p> <p>XML Tag: <InstgAgt></p> <p>Occurrence: [1..1]</p>
INDEX: 2.4 DBAvlbtyRpt +DBRptRspn ++InstgAgt +++FinInstnld	<p>Name: Financial Institution Identification</p> <p>ISO Description: Unique and unambiguous identification of a financial institution, as assigned under an internationally recognised or proprietary identification scheme.</p> <p>XML Tag: <FinInstnld></p> <p>Occurrence: [1..1]</p>
INDEX: 2.6 DBAvlbtyRpt +DBRptRspn ++InstgAgt +++FinInstnld	<p>Name: Clearing System Member Identification</p> <p>ISO Description: Information used to identify a member within a clearing system.</p> <p>XML Tag: <ClrSysMmbld></p> <p>Occurrence: [1..1]</p>

Element	Details
++++ClrSysMmbld INDEX: 2.7 DBAvlbtyRpt +DBRptRspn ++InstgAgt +++FinInstnId ++++ClrSysMmbld +++++Mmbld	Name: Member Identification ISO Description: Identification of a member of a clearing system. Product Usage: 11 character Participant ID of the RTP system (990000001S1). XML Tag: <Mmbld> Occurrence: [1..1] Length: 11
INDEX: 2.40 DBAvlbtyRpt +DBRptRspn ++InstdAgt	Name: Instructed Agent ISO Description: Agent that is instructed by the previous party in the chain to carry out the (set of) instruction(s). XML Tag: <InstdAgt> Occurrence: [1..1]
INDEX: 2.41 DBAvlbtyRpt +DBRptRspn ++InstdAgt +++FinInstnId	Name: Financial Institution Identification ISO Description: Unique and unambiguous identification of a financial institution, as assigned under an internationally recognised or proprietary identification scheme. XML Tag: <FinInstnId> Occurrence: [1..1]
INDEX: 2.43 DBAvlbtyRpt +DBRptRspn ++InstdAgt +++FinInstnId ++++ClrSysMmbld	Name: Clearing System Member Identification ISO Description: Information used to identify a member within a clearing system. XML Tag: <ClrSysMmbld> Occurrence: [1..1]
INDEX: 2.44 DBAvlbtyRpt +DBRptRspn ++InstdAgt +++FinInstnId ++++ClrSysMmbld +++++Mmbld	Name: Member Identification ISO Description: Identification of a member of a clearing system. Product Usage: Unique identifier of the TPSP or Participant that submitted the original Database Report request. XML Tag: <Mmbld> Occurrence: [1..1] Length: 11
INDEX: 2.77 DBAvlbtyRpt +DBRptRspn	Name: Transaction Status ISO Description: Specifies the status of a single payment instruction. Product Usage: Identifies the status of the report request as ACTC. Note, if the request cannot be processed by the Back Office, no

Element	Details
++TxSts	<p>response will be sent to the admn.007 message.</p> <p>XML Tag: <TxSts></p> <p>Occurrence: [1..1]</p> <p>Length: 4</p> <p>Example: ACTC</p> <p>Permitted Codes</p> <p>ACTC Accepted</p>
INDEX: 3.0 DBAvlbyRpt +AvlbyRpt	<p>Name: Availability Report</p> <p>XML Tag: <AvlbyRpt></p> <p>Occurrence: [1..1]</p> <p>Note(s): In the case all participants are available (connected and signed on) there will be an empty report '<AvlbyRpt></AvlbyRpt>'.</p>
INDEX: 3.1 DBAvlbyRpt +AvlbyRpt ++Cnnctn	<p>Name: Connection</p> <p>XML Tag: <Cnnctn></p> <p>Occurrence: [0..1]</p>
INDEX: 3.2 DBAvlbyRpt +AvlbyRpt ++Cnnctn +++CnnctnId	<p>Name: Connection Identification</p> <p>ISO Description: Specifies an alphanumeric string with a maximum length of 20 characters.</p> <p>Product Usage: Includes the Connection ID of any connection that is marked as unavailable at the time of the Database Report request.</p> <p>XML Tag: <CnnctnId></p> <p>Occurrence: [1..unbounded]</p> <p>RegEx: [a-zA-Z0-9]{1,20}</p> <p>Length: 20</p>
INDEX: 3.3 DBAvlbyRpt +AvlbyRpt ++AvlbyPtcpt	<p>Name: Availability Participant</p> <p>XML Tag: <AvlbyPtcpt></p> <p>Occurrence: [0..1]</p>
INDEX: 3.4 DBAvlbyRpt +AvlbyRpt ++AvlbyPtcpt +++PtcptSgnOff	<p>Name: Participant Sign Off</p> <p>XML Tag: <PtcptSgnOff></p> <p>Occurrence: [0..1]</p>

Element	Details
INDEX: 3.5 DBAvlbtyRpt +AvlbtyRpt ++AvlbtyPtcpt +++PtcptSgnOff ++++PtcptId	Name: Participant Identification ISO Description: Specifies a character string with a maximum length of 35 characters. Product Usage: Includes the Participant ID of any Participant that is signed-off at the time of the Database Report request. XML Tag: <PtcptId> Occurrence: [1..unbounded] Length: 11
INDEX: 3.6 DBAvlbtyRpt +AvlbtyRpt ++AvlbtyPtcpt +++PtcptSspd	Name: Participant Suspended XML Tag: <PtcptSspd> Occurrence: [0..1]
INDEX: 3.7 DBAvlbtyRpt +AvlbtyRpt ++AvlbtyPtcpt +++PtcptSspd ++++PtcptId	Name: Participant Identification ISO Description: Specifies a character string with a maximum length of 35 characters. Product Usage: Includes the Participant ID of any Participant that is suspended at the time of the Database Report request. XML Tag: <PtcptId> Occurrence: [1..unbounded] Length: 11

17 APPENDIX A – TCH RTP SUPPORTED CHARACTER SET

RTP Supported Character List: Fields highlighted yellow must be escaped in the manner specified															
Unicode (Number)	Char	Escape	Unicode (Number)	Char	Escape	Unicode (Number)	Char	Escape	Unicode (Number)	Char	Escape	Unicode (Number)	Char	Escape	
32		 	65	A	A	97	a	a	195	Ǻ	Ã	227	š	ã	
33	!	!	66	B	B	98	b	b	196	ǻ	Ä	228	š̄	ä	
34	"	"	67	C	C	99	c	c	197	Ǽ	Å	229	ṧ	å	
35	#	#	68	D	D	100	d	d	198	Ǿ	Æ	230	œ	æ	
36	\$	$	69	E	E	101	e	e	199	ǿ	Ç	231	œ̄	ç	
37	%	%	70	F	F	102	f	f	200	É	È	232	ë	è	
38	&	&	71	G	G	103	g	g	201	Ê	É	233	é	é	
39	'	'	72	H	H	104	h	h	202	Ë	Ê	234	ê	ê	
40	((72	H	H	105	i	i	203	Ě	Ë	235	ě	ë	
41))	73	I	I	106	i	j	204	Ī	Ì	236	ī	ì	
42	*	*	74	J	J	107	j	k	205	Ī̇	Í	237	ī̇	í	
43	+	+	75	K	K	108	k	l	206	Ī̈	Î	238	ī̈	î	
44	,	,	76	L	L	109	l	m	207	Ī̊	Ï	239	ī̊	ï	
45	-	-	77	M	M	110	m	n	208	Đ	Ð	240	đ	ð	
46	.	.	78	N	N	111	n	o	209	Đ̇	Ñ	241	đ̇	ñ	
47	/	/	79	O	O	112	o	p	210	Đ̈	Ò	242	đ̈	ò	
48	0	0	80	P	P	113	p	q	211	Đ̊	Ó	243	đ̊	ó	
49	1	1	81	Q	Q	114	q	r	212	Đ̋	Ô	244	đ̋	ô	
50	2	2	82	R	R	115	r	s	213	Đ̌	Õ	245	đ̌	õ	
51	3	3	83	S	S	116	s	t	214	Đ̍	Ö	246	đ̍	ö	
52	4	4	84	T	T	117	t	u	214	Đ̎	Ö	247	đ̎	÷	
53	5	5	85	U	U	118	u	v	215	×	×	248	œ	ø	
54	6	6	86	V	V	119	v	w	216	∅	Ø	249	∅	ù	
55	7	7	87	W	W	120	w	x	217	Û	Ù	250	ú	ú	
56	8	8	88	X	X	121	x	y	218	Ū	Ú	251	ū	û	
57	9	9	89	Y	Y	122	y	z	219	Ů	Û	252	ů	ü	
58	:	:	90	Z	Z	123	z	{	220	Ű	Ü	253	ű	ý	
59	;	;	91	[[124	{	|	221	Ų	Ý	254	ų	þ	
60	<	<	92	\	\	125		}	222	Ɔ	Þ	255	Ʒ	ÿ	
61	=	=	93]]	126	~	~	223	Ɔ̇	ß				
62	>	>	94	^	^	192	À	À	224	à	à				
63	?	?	95	_	_	193	Á	Á	225	á	á				
64	@	@	96	`	`	194	Â	Â	226	â	â				

18 APPENDIX B - REJECT / REASON CODES

All the tables include the reason codes (ISO and non-ISO) used by RTP in the event that a message fails business validation within the system and also the codes that are available to the receiving FIs, when they receive a message that fails business validation within their systems. The ISO lists are a sub-set of the full ISO rejection reason code list and contains those codes that are deemed applicable to RTP. The non-ISO codes are proprietary codes used by RTP as there are no associated ISO reason codes available.

Note: In the event ISO 2022 will provide additional reason codes in the future RTP might change the proprietary reason codes to ISO reason codes

The codes in this document are specifically for business validation failures. Structural errors encountered during processing should result in an Administration Message being returned to the sender.

18.1 Reject / Reason Codes for Message Status Report – pacs.002

18.1.1 List and Usage of ISO Error Codes

Reason Code	Usage Requirement	Description	Used by FI	Used by RTP	Notes
AC02	FI	Debtor account number invalid or missing	Y	Y	To be used if account is invalid. TCH usage: In case of pacs.009 if debtor account is not linked to participant.
AC03	FI	Creditor account number invalid or missing	Y	Y	To be used if account is invalid. TCH usage: In case of pacs.009 if creditor account is not linked to participant.
AC04	FI	Account number specified has been closed on the bank of account's books.	Y	N	Account closed.
AC06	FI	Account specified is blocked, prohibiting posting of transactions against it.	Y	N	
AC11	FI	Creditor account currency is invalid or missing	Y	N	RTP only supports US Dollar
AC13	FI	Debtor account type invalid	Y	N	Used by the Message Receiver (of a non-value message) to indicate that the debtor account is not an eligible account type (e.g. time-deposit).
AC14	FI	Creditor account type invalid	Y	N	Used by the Receiving Participant to indicate that the receiving account is not an eligible account type (e.g. time-deposit) for RTP Credit Transfers.
AG01	Both	Transaction forbidden on this type of account (formerly NoAgreement)	Y	Y	TCH usage: Agent is not authorized to send or receive this transaction type (pacs.008).

Reason Code	Usage Requirement	Description	Used by FI	Used by RTP	Notes
AG03	Both	Transaction type not supported / authorized on this account	Y	Y	TCH usage: Agent is not authorized to send or receive this Payment-related message type (e.g. pain.013).
AGNT	TCH	Incorrect Agent	N	Y	Used if Payment Status Request is neither the Instructing or Instructed Agent of the original Credit Transfer.
AM02	TCH	Global Transaction Limit breach (SITL) Transaction amount exceeds limits set by clearing system	N	Y	SITL (Settlement Individual Transaction Limit): The system-wide, maximum permitted amount for any payment type
AM04	TCH	Amount of funds available to cover specified message amount is insufficient.	N	Y	Used if 'Net Position breaches Prefunded Balance'
AM09	FI	Amount received is not the amount agreed or expected	Y	N	
AM12	Both	Amount is invalid or missing	Y	Y	Used if 'Total Interbank Settlement Amount is not equal to Interbank Settlement Amount'
AM13	TCH	Payment Type Limit breach (STL) Specific transaction amount is greater than allowed maximum for that transaction	N	Y	STL (Security Transaction Limit): the system-wide, maximum permitted amount for a specific payment type
AM14	FI	Transaction amount exceeds limits agreed between bank and client	Y	N	Used to reject a pain.013 if the amount exceeds the amount that the payer would be permitted (by the payer's FI) to send in a pacs.008.
BE04	FI	Specification of creditor's address, which is required for payment, is missing/not correct (formerly IncorrectCreditorAddress).	Y	N	

Reason Code	Usage Requirement	Description	Used by FI	Used by RTP	Notes
BE06	FI	End customer specified is not known at associated Sort/National Bank Code or does no longer exist in the books	Y	N	
BE07	FI	Specification of debtor's address, which is required for payment, is missing/not correct	Y	N	
BE10	FI	Debtor country code is missing or invalid	Y	N	System is not validating country code.
BE11	FI	Creditor country code is missing or invalid	Y	N	System is not validating country code.
BE16	FI	Debtor identification code missing or invalid	Y	N	
BE17	FI	Creditor identification code missing or invalid	Y	N	
DS24	TCH	Waiting time expired due to incomplete order	N	Y	Used for System Time-out.
DT04	TCH	Future date not supported	N	Y	Used for if 'Date provided is outside of date range.'
DUPL	TCH	Payment is a duplicate of another payment	Y	Y	
DS0H	TCH	Signer is not allowed to sign for this account	N	Y	TCH usage: Sender of the message is not linked to the participant.
FF02	TCH	Syntax error reason is provided as narrative information in the additional reason information.	N	Y	Additional information will be provided in the field 'Additional Information'
FF08	FI	End to End Id missing or invalid	Y	N	
MD07	FI	End customer is deceased.	Y	N	
NARR	FI	To be used for rejections due to business related, non-technical reasons. Reason is provided as narrative information in the additional reason information.	Y	N	Additional information will be provided in the field 'Additional Information'
RC01	TCH	Bank identifier code specified in the message has an incorrect format (formerly IncorrectFormatForRoutingCode).	N	Y	

Reason Code	Usage Requirement	Description	Used by FI	Used by RTP	Notes
RC02	TCH	Bank identifier is invalid or missing.	N	Y	Only used if invalid.
RC03	Both	Debtor FI identifier is invalid or missing	Y	Y	
RC04	Both	Creditor FI identifier is invalid or missing	Y	Y	
SL03	TCH	Token Service did not respond	N	Y	
TM01	TCH	Invalid Cut Off Time	Y	Y	Used if Payment Status Request is submitted more than three calendar days after the original Credit Transfer
TK01	TCH	Invalid Token	N	Y	
TK02	TCH	Sender Token Not Found	N	Y	
TK03	TCH	Receiver Token Not Found	N	Y	
TK04	Both	Token Expired	Y	Y	
TK05	Both	Token Found with Counterparty Mismatch	Y	Y	
TK06	Both	Token Found with Value Limit Rule Violation	Y	Y	
TK07	Both	Single Use Token Already Used	Y	Y	
TK08	Both	Token Suspended	Y	Y	

18.1.2 List and Usage of non-ISO Error Codes

Reason Code	Usage Requirement	Description	Used by FI	Used by RTP	Notes
NOAT	FI	Receiving Customer Account does not support/accept this message type.	Y	N	Typically used in response to a Request for Payment when the Debtor customer has not authorised Request for Payment on the account or for the particular Initiator of the Request for Payment.

Reason Code	Usage Requirement	Description	Used by FI	Used by RTP	Notes
1100	Both	Any Other Reasons To be used for technical errors that may resolve if a message is later retried. Reason is provided as narrative information in the additional reason information.	Y	Y	Additional information will be provided in the field 'Additional Information'
9909	TCH	Central Switch (RTP) system malfunction	N	Y	RTP has been able to receive the payment, but cannot process it because another RTP component is not operational
9910	TCH	Instructed Agent signed-off	N	Y	
9912	TCH	Recipient connection is not available	N	Y	
9934	TCH	Instructing Agent signed-off	N	Y	
9946	TCH	Instructing Agent suspended	N	Y	
9947	TCH	Instructed Agent suspended	N	Y	
9948	TCH	Central Switch (RTP) service is suspended	N	Y	
9952	TCH	Mapping Incompatibility between message versions	N	Y	RTP received a message which cannot be mapped to a higher or lower version.

Reason Code	Usage Requirement	Description	Used by FI	Used by RTP	Notes
9953	TCH	Missing code 'FULL' (full invoice amount)	N	Y	
9956	TCH	Instructing Agent Funding Account suspended	N	Y	
9957	TCH	Instructed Agent Funding Account suspended	N	Y	
9964	TCH	Invalid Participant Identification	N	Y	

18.2 Reject / Reason Codes for Response to Request for Payment – pain.014

18.2.1 List and Usage of ISO Error Codes

Reason Code	Usage Requirement	Description	Notes
AC06	FI	Account specified is blocked, prohibiting posting of transactions against it.	
AG01	FI	Transaction forbidden on this type of account (formerly NoAgreement)	The System is not validating the account type.
AG03	FI	Transaction type not supported / authorized on this account	The System is not validating the account type.
AM09	FI	Amount received is not the amount agreed or expected	Used if the customer indicates a problem with the amount of RFP.
AM14	TCH	Transaction amount exceeds limits agreed between bank and client	
BE04	FI	Specification of creditor's address, which is required for payment, is missing/not correct (formerly Incorrect CreditorAddress).	
BE07	FI	Specification of debtor's address, which is required for payment, is missing/not correct	
CH11	FI	Creditor Identifier Incorrect	Customer indicates creditor is unknown.
CUST	FI	Requested By Customer	Customer indicates payment will not be made
DS04	FI	Order Rejected	RFP was rejected by the Participant due to concerns regarding message content.
MD07	FI	End customer is deceased.	
NARR	FI	Reason is provided as narrative information in the additional reason information. To be used for rejections for business reasons that will not clear if a message is later retried.	Additional information will be provided in the field 'Additional Information'
SL12	FI	Debtor has indicated it does not wish to receive RFPs from the Creditor	Participant who received a pain.013 to reject it because the pain.013 was sent to a customer who has "opted out" to receive pain.013 messages.

18.2.2 List and Usage of non-ISO Error Codes

Reason Code	Usage Requirement	Description	Used by FI	Used by RTP	Notes
1100	FI	Any Other Reasons Reason is provided as narrative information in the additional reason information.	Y	Y	Additional information will be provided in the field 'Additional Information'

18.3 Reject / Reason Codes for Request for Return of Funds - camt.056

18.3.1 List and Usage of ISO Error Codes

Reason Code	Usage Requirement	Description	Used by FI	Used by RTP	Notes
AC03	FI	Invalid Creditor Account Number - Requested by the customer due to mistake or error	Y	N	
AM09	FI	Wrong Amount - Amount of the Credit Transfer or Request for Payment is not correct.	Y	N	
CUST	FI	Requested By Customer Cancellation requested by the Debtor due to Debtor's mistake or error.	Y	N	
DS24	TCH	Time-out Waiting time expired due to incomplete order	N	Y	
DUPL	FI	Duplicate Payment - Payment is a duplicate of another payment.	Y	N	Only if payment was send with different Instruction Identifications.
FRAD	FI	Fraudulent Origin Debtor claims payment was unauthorized or fraudulently induced.	Y	N	
FRTR	FI	Final Response - Repeat attempt to prior non-response.	Y	N	
TECH	FI	Technical Problem Cancellation requested following technical problems resulting in an erroneous transaction.	Y	N	
UPAY	FI	Undue Payment - Payment has been made through another payment channel (for Request for Payment expiry) or a <i>breach of</i>	Y	N	

Reason Code	Usage Requirement	Description	Used by FI	Used by RTP	Notes
		<i>RFP Warranty is alleged</i>			

18.3.2 List and Usage of non-ISO Error Codes

Reason Code	Usage Requirement	Description	Used by FI	Used by RTP	Notes
WIAM	FI	WrongAmount with Indemnity	Y	N	
WICT	FI	With Indemnity Customer	Y	N	
WIDP	FI	With Indemnity Duplicate	Y	N	
WIFD	FI	With Indemnity Fraud	Y	N	
WIFT	FI	Final Response with indemnity	Y	N	
WITH	FI	With Indemnity Technical	Y	N	

18.4 Reject / Reason Codes for Response to Request for Return of Funds - camt.029

18.4.1 List and Usage of ISO Error Codes

Reason Code	Usage Requirement	Description	Used by FI	Used by RTP	Notes
AC04	FI	Closed Account Number Account number specified has been closed on the receiver's books.	Y	N	
AM04	FI	Insufficient Funds Amount of funds available to cover specified message amount is insufficient.	Y	N	
ARDT	FI	Already Returned Cancellation not accepted as the transaction has already been returned.	Y	N	
CUST	FI	Customer Decision Reported when the cancellation cannot be accepted because of a customer decision (Creditor).	Y	N	
LEGL	FI	Legal Decision Reported when the cancellation cannot be accepted because of regulatory rules.	Y	N	
NOAS	FI	No Answer From Customer No response from beneficiary (to the cancellation request).	Y	N	
NOOR	FI	No Original Transaction Received Original transaction (subject to cancellation) never received.	Y	N	

19 APPENDIX C – MESSAGE EXAMPLES

The following examples are all based on the provided Message Specification and in XML format

Most of the examples shown do not include the Business Application Header (BAH) only in case where the BAH is relevant it will be provided.

19.1 Business Application Header – head

These are examples of the Business Application Header in the XML format used with the payload of a Credit Transfer (pacs.008) and the Message Status Report (pacs.002).

Example Message Initiating Agent (Debtor FI) to RTP:

```

<Message xmlns="urn:tch">
  <AppHdr>
    <head:Fr xmlns:head="urn:iso:std:iso:20022:tech:xsd:head.001.001.01">
      <head:FIId>
        <head:FinInstnId>
          <head:ClrSysMmbId>
            <head:MmbId>021200201A1</head:MmbId>
          </head:ClrSysMmbId>
        </head:FinInstnId>
      </head:FIId>
    </head:Fr>
    <head:To xmlns:head="urn:iso:std:iso:20022:tech:xsd:head.001.001.01">
      <head:FIId>
        <head:FinInstnId>
          <head:ClrSysMmbId>
            <head:MmbId>XXXXXXXXXXXX</head:MmbId>
          </head:ClrSysMmbId>
        </head:FinInstnId>
      </head:FIId>
    </head:To>
    <head: BizMsgIdr
xmlns:head="urn:iso:std:iso:20022:tech:xsd:head.001.001.01">B20190312021200201A1BHEA
00000000011</head: BizMsgIdr>
      <head:MsgDefIdr
xmlns:head="urn:iso:std:iso:20022:tech:xsd:head.001.001.01">pac.008.001.08</head:Ms
gDefIdr>
        <head:CreDt xmlns:head="urn:iso:std:iso:20022:tech:xsd:head.001.001.01">2019-03-
12T16:45:00</head:CreDt>
        <head:Sgntr xmlns:head="urn:iso:std:iso:20022:tech:xsd:head.001.001.01">
          <Signature>
          </Signature>
        </head:Sgntr>
      </AppHdr>
    </Message>

```

Example Message RTP to Receiving Agent (Creditor FI):

```

<Message xmlns="urn:tch">
  <AppHdr>
    <head:Fr xmlns:head="urn:iso:std:iso:20022:tech:xsd:head.001.001.01">
      <head:FIId>
        <head:FinInstnId>
          <head:ClrSysMmbId>
            <head:MmbId>XXXXXXXXXX</head:MmbId>
          </head:ClrSysMmbId>
        </head:FinInstnId>
        <head:BrnchId>
          <head:Id>021200201A1</head:Id>
        </head:BrnchId>
      </head:FIId>
    </head:Fr>
    <head:To xmlns:head="urn:iso:std:iso:20022:tech:xsd:head.001.001.01">
      <head:FIId>
        <head:FinInstnId>
          <head:ClrSysMmbId>
            <head:MmbId>231000001B1</head:MmbId>
          </head:ClrSysMmbId>
        </head:FinInstnId>
      </head:FIId>
    </head:To>
    <head: BizMsgIdr
xmlns:head="urn:iso:std:iso:20022:tech:xsd:head.001.001.01">B20190312020010001A1BRRR
00000000002</head: BizMsgIdr>
      <head:MsgDefIdr
xmlns:head="urn:iso:std:iso:20022:tech:xsd:head.001.001.01">pacs.008.001.08</head:Ms
gDefIdr>
        <head:CreDt xmlns:head="urn:iso:std:iso:20022:tech:xsd:head.001.001.01">2019-03-
12T16:45:10</head:CreDt>
        :
      </head: BizMsgIdr>
    </AppHdr>
  </Message>

```

Example Message Sending Agent (Creditor FI) to RTP – response:

```

<Message xmlns="urn:tch">
  <AppHdr>
    <head:Fr xmlns:head="urn:iso:std:iso:20022:tech:xsd:head.001.001.01">
      <head:FIId>
        <head:FinInstnId>
          <head:ClrSysMmbId>
            <head:MmbId>231000001B1</head:MmbId>
          </head:ClrSysMmbId>
        </head:FinInstnId>
      </head:FIId>
    </head:Fr>
    <head:To xmlns:head="urn:iso:std:iso:20022:tech:xsd:head.001.001.01">
      <head:FIId>
        <head:FinInstnId>
          <head:ClrSysMmbId>
            <head:MmbId>XXXXXXXXXX</head:MmbId>
          </head:ClrSysMmbId>
        </head:FinInstnId>
        <head:BrnchId>
          <head:Id>021200201A1</head:Id>
        </head:BrnchId>
      </head:FIId>
    </head:To>
    <head: BizMsgIdr
xmlns:head="urn:iso:std:iso:20022:tech:xsd:head.001.001.01">B20190312231000001B1BRRR
000000000077</head: BizMsgIdr>
      <head:MsgDefIdr
xmlns:head="urn:iso:std:iso:20022:tech:xsd:head.001.001.01">pacs.002.001.10</head:Ms
gDefIdr>
    </AppHdr>
  </Message>

```



```

    <head:CreDt xmlns:head="urn:iso:std:iso:20022:tech:xsd:head.001.001.01">2019-03-
    12T16:46:00</head:CreDt>
    :
  </AppHdr>
</Message>

```

Example Message RTP to Receiving Agent (Debtor FI) – response:

```

<Message xmlns="urn:tch">
  <AppHdr>
    <head:Fr xmlns:head="urn:iso:std:iso:20022:tech:xsd:head.001.001.01">
      <head:FIId>
        <head:FinInstnId>
          <head:ClrSysMmbId>
            <head:MmbId>XXXXXXXXXXXX</head:MmbId>
          </head:ClrSysMmbId>
        </head:FinInstnId>
      </head:FIId>
    </head:Fr>
    <head:To xmlns:head="urn:iso:std:iso:20022:tech:xsd:head.001.001.01">
      <head:FIId>
        <head:FinInstnId>
          <head:ClrSysMmbId>
            <head:MmbId>021200201A1</head:MmbId>
          </head:ClrSysMmbId>
        </head:FinInstnId>
      </head:FIId>
    </head:To>
    <head: BizMsgIdr
  xmlns:head="urn:iso:std:iso:20022:tech:xsd:head.001.001.01">B20190312990000001S1BRRR
  00000000077</head: BizMsgIdr>
    <head:MsgDefIdr
  xmlns:head="urn:iso:std:iso:20022:tech:xsd:head.001.001.01">pacs.002.001.10</head:Ms
  gDefIdr>
    <head:CreDt xmlns:head="urn:iso:std:iso:20022:tech:xsd:head.001.001.01">2019-03-
    12T16:46:01</head:CreDt>
    :
  </AppHdr>
</Message>

```

19.2 Credit Transfer – pacs.008

```

<ct:FIToFICstmrCdtTrf xmlns:ct="urn:iso:std:iso:20022:tech:xsd:pacs.008.001.08">
  <ct:GrpHdr>
    <ct:MsgId>M20190312021200201BFF000000001</ct:MsgId>
    <ct:CreDtTm>2019-03-12T14:05:00</ct:CreDtTm>
    <ct:NbOfTxes>1</ct:NbOfTxes>
    <ct:TtlIntrBkSttlmAmt Ccy="USD">525.25</ct:TtlIntrBkSttlmAmt>
    <ct:IntrBkSttlmDt>2019-03-12</ct:IntrBkSttlmDt>
    <ct:SttlmInf>
      <ct:SttlmMtd>CLRG</ct:SttlmMtd>
      <ct:ClrSys>
        <ct:Cd>TCH</ct:Cd>
      </ct:ClrSys>
    </ct:SttlmInf>
  </ct:GrpHdr>
  <ct:CdtTrfTxInf>
    <ct:PmtId>
      <ct:InstrId>2019031202120020101BSTRF0000000011</ct:InstrId>
      <ct:EndToEndId>E2E-Ref001</ct:EndToEndId>
      <ct:TxId>20190315021200201BCPA000000001</ct:TxId>
    </ct:PmtId>
    <ct:PmtTpInf>
      <ct:SvcLvl>
        <ct:Cd>SDVA</ct:Cd>
      </ct:SvcLvl>
      <ct:LclInstrm>
        <ct:Prtry>STANDARD</ct:Prtry>
      </ct:LclInstrm>
      <ct:CtgyPurp>
        <ct:Prtry>BUSINESS</ct:Prtry>
      </ct:CtgyPurp>
    </ct:PmtTpInf>
    <ct:IntrBkSttlmAmt Ccy="USD">525.25</ct:IntrBkSttlmAmt>
    <ct:ChrgBr>SLEV</ct:ChrgBr>
    <ct:InstgAgt>
      <ct:FinInstnId>
        <ct:ClrSysMmbId>
          <ct:MmbId>021200201</ct:MmbId>
        </ct:ClrSysMmbId>
      </ct:FinInstnId>
    </ct:InstgAgt>
    <ct:InstdAgt>
      <ct:FinInstnId>
        <ct:ClrSysMmbId>
          <ct:MmbId>020010001</ct:MmbId>
        </ct:ClrSysMmbId>
      </ct:FinInstnId>
    </ct:InstdAgt>
    <ct:Dbtr>
      <ct:Nm>Debtor Name</ct:Nm>
      <ct:PstlAdr>
        <ct:StrtNm>The Empire State Building, 5th Ave</ct:StrtNm>
        <ct:BldgNb>350</ct:BldgNb>
        <ct:PstCd>10118</ct:PstCd>
        <ct:TwnNm>New York</ct:TwnNm>
        <ct:CtrySubDvsn>NY</ct:CtrySubDvsn>
        <ct:Ctry>US</ct:Ctry>
      </ct:PstlAdr>
    </ct:Dbtr>
    <ct:DbtrAcct>
      <ct:Id>
        <ct:Othr>
          <ct:Id>11000179512199001</ct:Id>
        </ct:Othr>
      </ct:Id>
    </ct:DbtrAcct>
    <ct:DbtrAgt>
      <ct:FinInstnId>
        <ct:ClrSysMmbId>

```

```

        <ct:MmbId>021200201</ct:MmbId>
      </ct:ClrSysMmbId>
    </ct:FinInstnId>
  </ct:DbtrAgt>
  <ct:CdtrAgt>
    <ct:FinInstnId>
      <ct:ClrSysMmbId>
        <ct:MmbId>020010001</ct:MmbId>
      </ct:ClrSysMmbId>
    </ct:FinInstnId>
  </ct:CdtrAgt>
  <ct:Cdtr>
    <ct:Nm>Creditor Name</ct:Nm>
    <ct:Id>
      <ct:PrvtId>
        <ct:DtAndPlcOfBirth>
          <ct:BirthDt>1950-09-30</ct:BirthDt>
          <ct:CityOfBirth>City</ct:CityOfBirth>
          <ct:CtryOfBirth>US</ct:CtryOfBirth>
        </ct:DtAndPlcOfBirth>
      </ct:PrvtId>
    </ct:Id>
  </ct:Cdtr>
  <ct:CdtrAcct>
    <ct:Id>
      <ct:Othr>
        <ct:Id>12000194212199001</ct:Id>
      </ct:Othr>
    </ct:Id>
  </ct:CdtrAcct>
  <ct:RmtInf>
    <ct:Ustrd>Unstructured Remittance Information</ct:Ustrd>
  </ct:RmtInf>
</ct:CdtTrfTxInf>
</ct:FIToFICstmrCdtTrf>

```

19.3 Status Request – pacs.028

```

<PaymentStatusRequest>
  <s8:FIToFIPmtStsReq xmlns:s8="urn:iso:std:iso:20022:tech:xsd:pacs.028.001.03">
    <s8:GrpHdr>
      <s8:MsgId>M20190610XXXXXXXXXXXXBSTS00000092</s8:MsgId>
      <s8:CreDtTm>2019-06-10T13:53:00</s8:CreDtTm>
    </s8:GrpHdr>
    <s8:OrgnlGrpInf>
      <s8:OrgnlMsgId>M20190610XXXXXXXXXXXXB0000004874</s8:OrgnlMsgId>
      <s8:OrgnlMsgNmId>pacs.008.001.08</s8:OrgnlMsgNmId>
      <s8:OrgnlCreDtTm>2019-06-10T13:51:00</s8:OrgnlCreDtTm>
      <s8:OrgnlNbOfTxes>1</s8:OrgnlNbOfTxes>
    </s8:OrgnlGrpInf>
    <s8:TxInf>
      <s8:OrgnlInstrId>20190610XXXXXXXXXXXXB0000004874</s8:OrgnlInstrId>
      <s8:OrgnlTxId>20190610XXXXXXXXXXXXB0000004874</s8:OrgnlTxId>
      <s8:AcptncDtTm>2019-06-10T13:51:00</s8:AcptncDtTm>
      <s8:InstgAgt>
        <s8:FinInstnId>
          <s8:ClrSysMmbId>
            <s8:MmbId>XXXXXXXXXX</s8:MmbId>
          </s8:ClrSysMmbId>
        </s8:FinInstnId>
      </s8:InstgAgt>
      <s8:InstdAgt>
        <s8:FinInstnId>
          <s8:ClrSysMmbId>
            <s8:MmbId>YYYYYYYYYY</s8:MmbId>
          </s8:ClrSysMmbId>
        </s8:FinInstnId>
      </s8:InstdAgt>
      <s8:OrgnlTxRef>

```

```

        <s8:IntrBkSttlmAmt Ccy="USD">525.25</s8:IntrBkSttlmAmt>
        <s8:IntrBkSttlmDt>2019-06-10</s8:IntrBkSttlmDt>
      </s8:OrgnlTxRef>
    </s8:TxInf>
  </s8:FIToFIPmtStsReq>
</PaymentStatusRequest>

```

19.4 Message Reject – admi.002

```

<MessageReject>
  <mr:admi.002.001.01 xmlns:mr="urn:iso:std:iso:20022:tech:xsd:admi.002.001.01">
    <mr:RltdRef>
      <mr:Ref>20190318120645990000001S1DBAA2HJH40</mr:Ref>
    </mr:RltdRef>
    <mr:Rsn>
      <mr:RjctgPtyRsn>650</mr:RjctgPtyRsn>
      <mr:AddtlData><![CDATA[<Message xmlns="urn:tch"><AppHdr><head:Fr
xmlns:head="urn:iso:std:iso:20022:tech:xsd:head.001.001.01"><head:FIId><head:FinInstnId>
<head:ClrSysMmbId><head:MmbId>021200201</head:MmbId></head:ClrSysMmbId></head:FinInstnId
><head:BrnchId><head:Id>02120020101</head:Id></head:BrnchId></head:FIId></head:Fr><head:
To
xmlns:head="urn:iso:std:iso:20022:tech:xsd:head.001.001.01"><head:FIId><head:FinInstnId>
<head:ClrSysMmbId><head:MmbId>990000001S1</head:MmbId></head:ClrSysMmbId></head:FinInstn
Id></head:FIId></head:To><head: BizMsgIdr
xmlns:head="urn:iso:std:iso:20022:tech:xsd:head.001.001.01">B20190317021200201BAA0003909
</head: BizMsgIdr><head:MsgDefIdr
xmlns:head="urn:iso:std:iso:20022:tech:xsd:head.001.001.01">pac.002.001.10</head:MsgDef
Idr><head:CreDt xmlns:head="urn:iso:std:iso:20022:tech:xsd:head.001.001.01">2019-03-
17T16:28:01Z</head:CreDt><head:Sgntr
xmlns:head="urn:iso:std:iso:20022:tech:xsd:head.001.001.01"><Signature
xmlns="http://www.w3.org/2000/09/xmldsig#"><SignedInfo><CanonicalizationMethod
Algorithm="http://www.w3.org/TR/2001/REC-xml-c14n-
20010315#WithComments"/><SignatureMethod
Algorithm="http://www.w3.org/2000/09/xmldsig#rsa-sha1"/><Reference
URI=""/><Transforms><Transform Algorithm="http://www.w3.org/2000/09/xmldsig#enveloped-
signature"/></Transforms><DigestMethod
Algorithm="http://www.w3.org/2000/09/xmldsig#sha1"/><DigestValue>W4cSmRn02zepszcCyiOrTre
Mrvg=</DigestValue></Reference></SignedInfo><SignatureValue>jg3T4TLzJcude3UoasZN+o9qqeXv
KaQjboMRqyw+rMkr70J9/Aovsn5EDdk8BtRbtLzjiSAIv+Ms+0/ubOrQHY/5vjMLqvT2ZaFfrocY+gRP6zHeCK+
2/DlLVhf0rQTxdJlMcR6hyuLRQRJNKDXOYudSsLZNi7uZsA6QV8AyNs=</SignatureValue><KeyInfo><X509D
ata><X509SubjectName>CN=rsa2,OU=ips,O=vocalink,L=rickmansworth,ST=Unknown,C=uk</X509Subj
ectName></X509Data></KeyInfo></Signature></head:Sgntr></AppHdr><PaymentStatus><ps:FIToFI
PmtStsRpt
xmlns:ps="urn:iso:std:iso:20022:tech:xsd:pac.002.001.10"><ps:GrpHdr><ps:MsgId>M20190317
131000000HII0000000001</ps:MsgId><ps:CreDtTm>2019-03-
17T16:28:01Z</ps:CreDtTm></ps:GrpHdr><ps:OrgnlGrpInfAndSts><ps:OrgnlMsgId>20190317162801
021200201B60UBA1RAT</ps:OrgnlMsgId><ps:OrgnlMsgNmId>pac.008.001.08</ps:OrgnlMsgNmId><ps
:OrgnlCreDtTm>2019-03-
17T16:28:01Z</ps:OrgnlCreDtTm><ps:OrgnlNbOfTx>1</ps:OrgnlNbOfTx></ps:OrgnlGrpInfAndSts
><ps:TxInfAndSts><ps:OrgnlInstrId>20190317021200201BRT0000198</ps:OrgnlInstrId><ps:TxSts
>KKKK</ps:TxSts><ps:ClrSysRef>001</ps:ClrSysRef><ps:InstgAgt><ps:FinInstnId><ps:ClrSysMm
bId><ps:MmbId>021200201</ps:MmbId></ps:ClrSysMmbId></ps:FinInstnId></ps:InstgAgt><ps:Ins
tdAgt><ps:FinInstnId><ps:ClrSysMmbId><ps:MmbId>201200002</ps:MmbId></ps:ClrSysMmbId></ps
:FinInstnId></ps:InstdAgt><ps:OrgnlTxRef><ps:IntrBkSttlmDt>2010-01-
05</ps:IntrBkSttlmDt></ps:OrgnlTxRef></ps:TxInfAndSts></ps:FIToFIPmtStsRpt></PaymentStat
us></Message>]]</mr:AddtlData>
    </mr:Rsn>
  </mr:admi.002.001.01>
</MessageReject>
</Message>

```

Note: the information under the field <mr:AddtlData> does not contain a realistic example.

19.4.1 Token Notification – acmt.022

```

<TokenIdentification>
  <a2:IdModAdv< xmlns:a2="urn:iso:std:iso:20022:tech:xsd:acmt.022.001.02">
    <a2:Assgnmt>
      <a2:MsgId>M201906109999999999S1H00000000092</a2:MsgId>
      <a2:CreDtTm>2019-06-10T14:53:00</a2:CreDtTm>
      <a2:Assgnr>
        <a2:Agt>
          <a2:FinInstnId>
            <a2:ClrSysMmbId>
              <a2:MmbId>990000001</a2:MmbId>
            </a2:ClrSysMmbId>
          </a2:FinInstnId>
        </a2:Agt>
      </a2:Assgnr>
      <a2:Assgne>
        <a2:Agt>
          <a2:FinInstnId>
            <a2:ClrSysMmbId>
              <a2:MmbId>021200201</a2:MmbId>
            </a2:ClrSysMmbId>
          </a2:FinInstnId>
        </a2:Agt>
      </a2:Assgne>
    </a2:Assgnmt>
    <a2:OrgnlTxRef>
      <a2:MsgId>M20190610021200201S1B00000000432</a2:MsgId>
      <a2:MsgNmId>pacs.008.001.08</a2:MsgNmId>
      <a2:CreDtTm>2019-06-10T14:48:00</a2:CreDtTm>
      <a2:OrgnlTx>
        <a2:InstrId>20190610021200201S1B00000000432</a2:InstrId>
        <a2:EndToEndId>747834884</a2:EndToEndId>
        <a2:TxId>M20190610021200201S1B00000000432</a2:TxId>
      </a2:OrgnlTx>
    </a2:OrgnlTxRef>
    <a2:Mod>
      <a2:Id>20190610990000001T1HRRF00000000026</a2:Id>
      <a2:OrgnlPtyAndAcctId>
        <a2:Acct>
          <a2:Othr>
            <a2:Id>12000194212199000</a2:Id>
          </a2:Othr>
        </a2:Acct>
        <a2:Agt>
          <a2:FinInstnId>
            <a2:ClrSysMmbId>
              <a2:MmbId>021200201</a2:MmbId>
            </a2:ClrSysMmbId>
          </a2:FinInstnId>
        </a2:Agt>
      </a2:OrgnlPtyAndAcctId>
      <a2:UpdtdPtyAndAcctId>
        <a2:Acct>
          <a2:Othr>
            <a2:Id>17951219904228069</a2:Id>
          </a2:Othr>
        </a2:Acct>
        <a2:Agt>
          <a2:FinInstnId>
            <a2:ClrSysMmbId>
              <a2:MmbId>011400223</a2:MmbId>
            </a2:ClrSysMmbId>
          </a2:FinInstnId>
        </a2:Agt>
      </a2:UpdtdPtyAndAcctId>
      <a2:AddtlInf>Please update your records accordingly</a2:AddtlInf>
    </a2:Mod>
  </a2:IdModAdv>
</TokenIdentification>

```

19.5 Administration

19.5.1 Sign-on Request – admn.001

```

<SignOnRequest>
  <sr:AdmnSignOnReq xmlns:sr="urn:iso:std:iso:20022:tech:xsd:adm.001.001.01">
    <sr:GrpHdr>
      <sr:MsgId> 2019031810064302120020101B61NHTCSG6</sr:MsgId>
      <sr:CreDtTm>2019-03-18T14:06:43.000</sr:CreDtTm>
    </sr:GrpHdr>
    <sr:SignOnReq>
      <sr:InstrId>2019031812345678901BD61U00000000006</sr:InstrId>
      <sr:InstgAgt>
        <sr:FinInstnId>
          <sr:ClrSysMmbId>
            <sr:MmbId>02120020101</sr:MmbId>
          </sr:ClrSysMmbId>
        </sr:FinInstnId>
      </sr:InstgAgt>
      <sr:InstdAgt>
        <sr:FinInstnId>
          <sr:ClrSysMmbId>
            <sr:MmbId>990000001S1</sr:MmbId>
          </sr:ClrSysMmbId>
        </sr:FinInstnId>
      </sr:InstdAgt>
    </sr:SignOnReq>
  </sr:AdmnSignOnReq>
</SignOnRequest>

```

19.5.2 Sign-on Response – admn.002

```

<SignOnResponse>
  <rs:AdmnSignOnResp xmlns:sr="urn:iso:std:iso:20022:tech:xsd:adm.002.001.01">
    <rs:GrpHdr>
      <rs:MsgId> 20190318100653990000001S1B61NHDDM21</rs:MsgId>
      <rs:CreDtTm> 2019-03-18T14:06:53.000</rs:CreDtTm>
    </rs:GrpHdr>
    <rs:SignOnResp>
      <rs:OrgnlInstrId>2019031812345678901BD61U00000000006</rs:OrgnlInstrId>
      <rs:InstgAgt>
        <rs:FinInstnId>
          <rs:ClrSysMmbId>
            <rs:MmbId>XXXXXXXXXXXX</rs:MmbId>
          </rs:ClrSysMmbId>
        </rs:FinInstnId>
      </rs:InstgAgt>
      <rs:InstdAgt>
        <rs:FinInstnId>
          <rs:ClrSysMmbId>
            <rs:MmbId>02120020101</rs:MmbId>
          </rs:ClrSysMmbId>
        </rs:FinInstnId>
      </rs:InstdAgt>
      <rs:Sts>ACTC</rs:Sts>
    </rs:SignOnResp>
  </rs:AdmnSignOnResp>
</SignOnResponse>

```

19.5.3 Sign-off Request – admn.003

```

<SignOffRequest>
  <fr:AdmnSignOffReq xmlns:fr="urn:iso:std:iso:20022:tech:xsd:adm.003.001.01">
    <fr:GrpHdr>
      <fr:MsgId>2019031810050002120020101D61TV20TNI</fr:MsgId>

```

```

    <fr:CreDtTm>2019-03-18T14:05:00.000</fr:CreDtTm>
  </fr:GrpHdr>
  <fr:SignOffReq>
    <fr:InstrId>2019031802120020101BD61U00000000006</fr:InstrId>
    <fr:InstgAgt>
      <fr:FinInstnId>
        <fr:ClrSysMmbId>
          <fr:MmbId>02120020101</fr:MmbId>
        </fr:ClrSysMmbId>
      </fr:FinInstnId>
    </fr:InstgAgt>
    <fr:InstdAgt>
      <fr:FinInstnId>
        <fr:ClrSysMmbId>
          <fr:MmbId>XXXXXXXXXXXX</fr:MmbId>
        </fr:ClrSysMmbId>
      </fr:FinInstnId>
    </fr:InstdAgt>
  </fr:SignOffReq>
</fr:AdmnSignOffReq>
</SignOffRequest>

```

19.5.4 Sign-off Response – admn.002

```

<SignOffResponse>
  <rf:AdmnSignOffResp xmlns:rf="urn:iso:std:iso:20022:tech:xsd:adm.004.001.01">
    <rf:GrpHdr>
      <rf:MsgId>201202181005100990000001S161TV20FDAA</rf:MsgId>
      <rf:CreDtTm>2019-03-18T14:05:00.000</rf:CreDtTm>
    </rf:GrpHdr>
    <rf:SignOffResp>
      <rf:OrgnlInstrId>2019031802120020101BD61U00000000006</rf:OrgnlInstrId>
      <rf:InstgAgt>
        <rf:FinInstnId>
          <rf:ClrSysMmbId>
            <rf:MmbId>XXXXXXXXXXXX</rf:MmbId>
          </rf:ClrSysMmbId>
        </rf:FinInstnId>
      </rf:InstgAgt>
      <rf:InstdAgt>
        <rf:FinInstnId>
          <rf:ClrSysMmbId>
            <rf:MmbId>02120020101</rf:MmbId>
          </rf:ClrSysMmbId>
        </rf:FinInstnId>
      </rf:InstdAgt>
      <rf:Sts>ACTC</rf:Sts>
    </rf:SignOffResp>
  </rf:AdmnSignOffResp>
</SignOffResponse>

```

19.5.5 Echo Request – admn.005

```

<EchoRequest>
  <er:AdmnEchoReq xmlns:er="urn:iso:std:iso:20022:tech:xsd:adm.005.001.01">
    <er:GrpHdr>
      <er:MsgId>20190318141447990000001S1D61UBZ2TKM</er:MsgId>
      <er:CreDtTm>2019-03-18T14:14:47.000</er:CreDtTm>
    </er:GrpHdr>
    <er:EchoTxInf>
      <er:FunctnCd>731</er:FunctnCd>
      <er:InstrId>201903189900000001S1BD61U00000000006</er:InstrId>
      <er:InstgAgt>
        <er:FinInstnId>
          <er:ClrSysMmbId>
            <er:MmbId>XXXXXXXXXXXX</er:MmbId>
          </er:ClrSysMmbId>
        </er:FinInstnId>
      </er:InstgAgt>
    </er:EchoTxInf>
  </er:AdmnEchoReq>
</EchoRequest>

```

```

    <er:InstdAgt>
      <er:FinInstnId>
        <er:ClrSysMmbId>
          <er:MmbId>123456789A1</er:MmbId>
        </er:ClrSysMmbId>
      </er:FinInstnId>
    </er:InstdAgt>
  </er:EchoTxInf>
</er:AdmnEchoReq>
</EchoRequest>

```

19.5.6 Echo Response – admn.006

```

<EchoResponse>
  <re:AdmnEchoResp xmlns:re="urn:iso:std:iso:20022:tech:xsd:adm.006.001.01">
    <re:GrpHdr>
      <re:MsgId>20190318141452123456789A1D61UF21JT5</re:MsgId>
      <re:CreDtTm>2019-03-18T14:14:52.000</re:CreDtTm>
    </re:GrpHdr>
    <re:EchoResponse>
      <re:InstgAgt>
        <re:FinInstnId>
          <re:ClrSysMmbId>
            <re:MmbId>123456789A1</re:MmbId>
          </re:ClrSysMmbId>
        </re:FinInstnId>
      </re:InstgAgt>
      <re:InstdAgt>
        <re:FinInstnId>
          <re:ClrSysMmbId>
            <re:MmbId>XXXXXXXXXXXX</re:MmbId>
          </re:ClrSysMmbId>
        </re:FinInstnId>
      </re:InstdAgt>
      <re:OrgnlInstrId>20190318990000001S1BD61U00000000006</re:OrgnlInstrId>
      <re:FunctnCd>731</re:FunctnCd>
      <re:TxSts>ACTC</re:TxSts>
    </re:EchoResponse>
  </re:AdmnEchoResp>
</EchoResponse>

```

19.6 Database Report

19.6.1 Database Report Request – admn.007

```

<ParticipantReport>
  <ut:DBRptReq xmlns:ut="urn:adm.007.001.01">
    <ut:GrpHdr>
      <ut:MsgId>2019061012345678901B00000000092</ut:MsgId>
      <ut:CreDtTm>2019-06-10T13:52:58</ut:CreDtTm>
    </ut:GrpHdr>
    <ut:DBRptInf>
      <ut:RptCd>AVLBTY</ut:RptCd>
      <ut:InstrId>2019061012345678901B00000000092</ut:InstrId>
      <ut:InstgAgt>
        <ut:FinInstnId>
          <ut:ClrSysMmbId>
            <ut:MmbId>XXXXXXXXXXXX</ut:MmbId>
          </ut:ClrSysMmbId>
        </ut:FinInstnId>
      </ut:InstgAgt>
      <ut:InstdAgt>
        <ut:FinInstnId>
          <ut:ClrSysMmbId>
            <ut:MmbId>999999999S1</ut:MmbId>
          </ut:ClrSysMmbId>
        </ut:FinInstnId>
      </ut:InstdAgt>
    </ut:DBRptInf>
  </ut:DBRptReq>
</ParticipantReport>

```



```

        </tu:ClrSysMmbId>
      </tu:FinInstnId>
    </tu:InstdAgt>
  </tu:DBRptInf>
</tu:DBRptReq>
</ParticipantReport>
</Message>

```

19.6.2 Unable to Transact Report – admn.008

```

<ParticipantReportResponse>
  <tu:DBAvlbtyRpt xmlns:tu="urn:adm.008.001.01">
    <tu:GrpHdr>
      <tu:MsgId>20190610145252123456789A1D61UF21JT5</tu:MsgId>
      <tu:CreDtTm>2019-06-10T14:52:52</tu:CreDtTm>
    </tu:GrpHdr>
    <tu:DBRptRspn>
      <tu:OrgnlInstrId>2019061012345678901B00000000092</tu:OrgnlInstrId>
      <tu:RptCd>AVLBTY</tu:RptCd>
      <tu:InstgAgt>
        <tu:FinInstnId>
          <tu:ClrSysMmbId>
            <tu:MmbId>999999999S1</tu:MmbId>
          </tu:ClrSysMmbId>
        </tu:FinInstnId>
      </tu:InstgAgt>
      <tu:InstdAgt>
        <tu:FinInstnId>
          <tu:ClrSysMmbId>
            <tu:MmbId>XXXXXXXXXXXX</tu:MmbId>
          </tu:ClrSysMmbId>
        </tu:FinInstnId>
      </tu:InstdAgt>
      <tu:TxSts>ACTC</tu:TxSts>
    </tu:DBRptRspn>
    <tu:AvlbtyRpt>
      <tu:Cnnctn>
        <tu:CnnctnId>888888888CON1</tu:CnnctnId>
        <tu:CnnctnId>888888888CON2</tu:CnnctnId>
        <tu:CnnctnId>777777777CON1</tu:CnnctnId>
        <tu:CnnctnId>777777777CON2</tu:CnnctnId>
      </tu:Cnnctn>
      <tu:AvlbtyPtcpt>
        <tu:PtcptSgnOff>
          <tu:PtcptId>222222222S1</tu:PtcptId>
          <tu:PtcptId>746473628S1</tu:PtcptId>
          <tu:PtcptId>5555432221</tu:PtcptId>
        </tu:PtcptSgnOff>
        <tu:PtcptSpd>
          <tu:PtcptId>555555555S1</tu:PtcptId>
        </tu:PtcptSpd>
      </tu:AvlbtyPtcpt>
    </tu:AvlbtyRpt>
  </tu:DBAvlbtyRpt>
</ParticipantReportResponse>

```

19.6.3 Unable to Transact Report – admn.008 (empty report)

```

<ParticipantReportResponse>
  <tu:DBAvlbtyRpt xmlns:tu="urn:adm.008.001.01">
    <tu:GrpHdr>
      <tu:MsgId>20190610145252123456789A1D61UF21JT5</tu:MsgId>
      <tu:CreDtTm>2019-06-10T14:52:52</tu:CreDtTm>
    </tu:GrpHdr>
    <tu:DBRptRspn>
      <tu:OrgnlInstrId>2019061012345678901B00000000092</tu:OrgnlInstrId>
      <tu:RptCd>AVLBTY</tu:RptCd>
      <tu:InstgAgt>
        <tu:FinInstnId>

```

```

        <tu:ClrSysMmbId>
          <tu:MmbId>999999999S1</tu:MmbId>
        </tu:ClrSysMmbId>
      </tu:FinInstnId>
    </tu:InstgAgt>
    <tu:InstdAgt>
      <tu:FinInstnId>
        <tu:ClrSysMmbId>
          <tu:MmbId>XXXXXXXXXXXX</tu:MmbId>
        </tu:ClrSysMmbId>
      </tu:FinInstnId>
    </tu:InstdAgt>
    <tu:TxSts>ACTC</tu:TxSts>
  </tu:DBRptRspn>
  <tu:AvlbtyRpt></tu:AvlbtyRpt>
</tu:DBAvlbtyRpt>
</ParticipantReportResponse>

```

19.7 Participant Duplicate Checking Requirements Clarification

Receiving Participants are required to check transactions to ensure that they properly handle duplicate transactions. A Credit Transfer message is considered a duplicate if the Instruction ID is identical to a prior Credit Transfer received. If a Receiving Participant receives a Credit Transfer from the RTP system with the copy/duplicate flag included in the business application header, the Receiving Participant should check their internal transaction logs to determine if the transaction is an actual duplicate (i.e. the Receiving Participant had previously received and responded to a Credit Transfer message with the same Instruction ID and the same transaction details), or if this is the first time they are receiving and processing the Credit Transfer, as further specified below. Based on the results of this check the Participant should take one the following actions:

- If the Credit Transfer has not previously been received and processed (Credit Transfer has a unique Instruction ID that had not previously been received/processed), the Receiving Participant should process the transaction “normally” and respond with a pacs.002 **without the copy/duplicate flag in the Business Application Header**;
- If the Credit Transfer is a duplicate of a Credit Transfer that has been previously processed by the Participant (has an Instruction ID that the participant had previously processed and the same transaction details), the Creditor FI should respond with the same outcome as the original pacs.002 response (i.e. the status of the transaction at that time – ACTC, RCJT, ACWP) **with the copy/duplicate indicator included in the Business Application Header**. Note, the payload of the message should be a duplicate of the original pacs.002 created and sent to the system, but the message is required to have a new Business Application Header;
- If the Credit Transfer has a matching Instruction ID to a transaction that was previously received, but the details of the transaction (Creditor Account, Amount and Debtor Account) do not match the original transaction, the Receiving Participant should reject the transaction with a pacs.002 and reason code “DUPL” **and must not include the copy/duplicate indicator in the Business Header**.

If the Receiving Participant receives a Credit Transfer that does not include the copy/duplicate flag in the Business Application Header, but the Receiving Participant has already processed a Credit Transfer with the same Instruction ID, the Receiving Participant must reject the transaction with a pacs.002 and reason code “DUPL”.

20 APPENDIX D – INDUSTRY CATEGORY CODES

This section contains all the Industry Category Codes used for Request for Payment (pain.013 message).

20.1 Industry Category Codes

<ul style="list-style-type: none"> • 1001 - Home Utilities – Electric, Gas, Sanitary, Water, Fuel Oil • 1002 - Telecom Utilities – Phone, Internet, Cable, Satellite • 1003 - Mortgage • 1004 - Rent • 1005 - Insurance Premiums • 1006 - Auto Loans • 1007 - Personal Loans • 1008 - Credit Card Payment • 1009 - Media Subscriptions – Music, Magazines, Newspapers, Gaming, etc. • 1010 - Memberships – Gym, Lessons, Educational, Clubs, etc. • 1011 - Financial Institution • 1012 - Broker/Dealer • 1013 – Medical • 1014 – Online Gaming • 1015 – Real Estate • 1016 – Government
--

21 APPENDIX E – CHANGE VERSION CONTROL

This section contains all the changes covered in the previous versions of the document.

21.1 Change History

Version	Date	Comments
2.9	January 2019	Release 2.9
2.9	April 2019	Update with the final ISO20022 Version 2019 (removed all DRAFT comments) New Functionality: <ul style="list-style-type: none"> - Credit Transfer (pacs.008) inclusion of new optional Element Initiating Party Name to reference ZELLE Sender Identification. - Add Debtor Account Identification for pacs.009 - FI-to-FI Credit Transfer (pacs.009) new chapter 15 Further changes / corrections: <ul style="list-style-type: none"> - Remove all references to acmt.023 and acmt.024 - Update Appendix with new codes - Removed all notes with '%%%'

		<ul style="list-style-type: none"> - Removed comment in pain.013 on code ORIG under Discount Applied Amount - Correction Proxy Identification from 2048 to 256 in pacs.008 and pain.013 - Correction of wrong XLM Tag for Accepted Amount in pain.014 Payment Condition Status - Add code AC02 and AC03 in pacs.009 validation. Change code description in Appendix - Add pacs.009 message reference for Time-Out under camt.056 - Removed LEI comments in camt.056 message field Originator - Update "System Time-Out" product usage description throughout camt.056 to account for pacs.009 and pain.013 time-out scenarios - Add note on Original Clearing System Reference to use fixed value '001' as a fixed value if pain.013 is expire (camt.056) - Clarification on Rule(s) for Instructing / Instructed Agent for pacs.028 message - Clarification on Original Transaction / Transaction Id if Token Notification (acmt.022) is generated based on pain.013 - Modification information in acmt.022 cardinality changed from [1..n] to [1..1] - Clarification on Database Availability Report (admn.008) if all participants are available - Update format on Connection Identification in admn.008 with a maximum length of 20 characters and restricted to a-z, A-Z and 0-9
2.9	September 2019	<p>FI-To-FI Credit Transfer (pacs.009) has been deferred from release 2.9. While the message structure and format details are fully documented here, the item will not be included or available in the 2.9 release.</p> <p>Token Notification (acmt.022) has been deferred from release 2.9. The message will first be made available in release 2.10, when tokenization functionality is first available.</p> <p>Updates based on market feedback and final functionality needed for Zelle and Tokenization.</p> <ul style="list-style-type: none"> • All Messages <ul style="list-style-type: none"> ○ Maximum length for LEI added (20 characters) Note: not marked as change in the structure and details sections ○ Include message name identifiers for prior message versions to the permitted values in Original Message Name Id for message type camt.026, camt.028, camt.056, camt.029, and pacs.028 • pacs.008 <ul style="list-style-type: none"> ○ Change of error code under Initiating Party from '9952' to '9914' as code '9952' was used for two different scenarios. (reason code change only) ○ New rule for Discount Applied Amount (under structured remittance) - code FULL must be present if code DSCT is used (no impact to participants) ○ Removal of rule under Creditor Account Proxy – previously mandatory for Zelle transactions, now optional (impact to participants using Zelle). ○ Instruction for Creditor Agent <ul style="list-style-type: none"> ▪ new token control codes added (no impact to participants) • pain.013 <ul style="list-style-type: none"> ○ Update to M/O/C table for clarification of some optional and conditional fields.

		<ul style="list-style-type: none"> ○ Update to Product Usage for Instruction Identification when the RFP is initiated in relation to Zelle (impact to participants using Zelle) ○ New rule noted for Requested Execution Date - Expiry date must be after or equal to Requested Execution Date (no impact to participants) ○ New rule for Discount Applied Amount (under structured remittance) - code FULL must be present if code DSCT is used (no impact to participants) ○ Removal of rule under Debtor Account Proxy – previously mandatory for Zelle transactions, now optional (impact to participants using Zelle). ○ Instruction for Creditor Agent <ul style="list-style-type: none"> ▪ new added code 'RECI' for Zelle sender identification (impact to participants using Zelle) ▪ new token control codes added (no impact to participants) ● camt.056 <ul style="list-style-type: none"> ○ Corrected description for Cancellation Code AC03 and FRTR (no technical impact to participants). ● camt.029 <ul style="list-style-type: none"> ○ Additional Note for Cancellation Status Identification describing which value must be included in this field when returning funds outside of RTP (clarification only). ● camt.028 <ul style="list-style-type: none"> ○ Creator Agent, previously missing from the structure table, has been added (no impact to participants). ● pacs.028 <ul style="list-style-type: none"> ○ Scope update ○ Clarification of Instructing Agent rule ○ Clarification of Instructed Agent rule ● SNM 999 (admi.004) <ul style="list-style-type: none"> ○ Clarified which Net Position is included in the SNM (Net Position of the Reconciliation Window that is closing). ● admi.002 <ul style="list-style-type: none"> ○ Updated Index 1.1 format description to indicate that the embedded 11 character identifier can belong to a Participant, TPSP, or the RTP System. ● Update Appendix B Error Codes <ul style="list-style-type: none"> ○ Removal of codes AC07, AC10, AM11, BE13, FF03 ○ Updated codes AC13, AC14, 9952, 9953 ○ New codes AC03, AM09, FRTR, UPAY ○ New codes TK01-TK08 ● Update Appendix C with new Example Messages
2.9	January 2020	<ul style="list-style-type: none"> ● Credit Transfer (pacs.008): <ul style="list-style-type: none"> ○ Changed Instruction Information length to 140 characters (Index 2.1246) ○ Clarified description of Creditor Agent Member ID (Index 2.1025) so that the sender does not need to be aware if the recipient's R/T number is or is not a token. ● Request for Payment (pain.013): <ul style="list-style-type: none"> ○ Updated Payment Conditions / Early Payment (Index 2.255) to note

		<p>that the value 'FALSE' should not be used in this field.</p> <ul style="list-style-type: none"> ○ Updated Instructions for Creditor Agent / Code (Index 2.793) with Reason Code 9954 for a Zelle message that does not include Code 'RECI'. ○ Updated pain.013 Electronic Address field from required to optional: from [1..1] to [0..1] ● RFP Response (pain.014): <ul style="list-style-type: none"> ○ Added note in Additional Information to use the codes "NOAS" and "ARDP" in this field as appropriate. This is aligned to the RTP Customer Display Guidelines. ● Message Acknowledgement (camt.035): <ul style="list-style-type: none"> ○ Corrected reject reason code when Routing and Transit number is not supported in RTP (reason code 'RC03' for Debtor/Assignee and 'RC04' for Creditor/Assigner) ● Reason Codes: <ul style="list-style-type: none"> ○ Updated section 18.1.2 to include Reason Code '9954' for a Zelle RFP that does not include Instruction For Creditor Agent code 'RECI'. ● General Changes: <ul style="list-style-type: none"> ○ Add format rules for all occurrences of LEI: Must be 20 characters, first 18 may be alphanumeric, last two must be numeric, in accordance with ISO specifications. Reject with admn.002 (650) for failing format validation. ○ Removed Section 3 on Message Usage Requirements, as this document is now a stand-alone document that is part of the RTP Technical Specifications. Reference the RTP Message Persona Specification document.
2.9	February 2020	<ul style="list-style-type: none"> ● Inclusion of regular expression (RegEx) in the Detailed Message Description and new chapter 2.6 Regular Expression (RegEx) description ● Updates to Section 1.2 to add compliance statement
2.9	July 2020	<ul style="list-style-type: none"> ● Pacs.008 <ul style="list-style-type: none"> ○ Instruction Information field: updated from 140 character length to 35 ○ Updated Intermediary description index 2.15: "Payment sent that uses one of either "Ultimate Debtor" or "Ultimate Creditor" fields. If this code is used, one of "Ultimate Debtor" or "Ultimate Creditor" must be present in the message." ○ Electronic Address Field updated from Conditional to Optional in Detail Message field Description section ● Pain.013 <ul style="list-style-type: none"> ○ Clarified product usage description for Local Instrument ○ Updated Payment Conditions flags from upper case True/False to only use lower case true/false flags ○ Updated Notes description for Early Payment Allowed ○ Updated Notes description for Guaranteed Payment ● General Updates <ul style="list-style-type: none"> ○ Added Section 18.7 Participant Duplicate Checking Requirements ○ Modified 2.5 Date/Time Format section to include that it uses ISO 8601 Standard format (24 hour clock) ○ Removed milliseconds from all admn messages in creation date time fields
2.10	February	<ul style="list-style-type: none"> ● Update according to TCH feedback (August 2020)

	2021	<ul style="list-style-type: none">• Correction definition under (Ultimate) Debtor / (Ultimate) Creditor Identification• New chapter in Appendix related to the duplicate check
		<ul style="list-style-type: none">• New Chapter 3 on Identification Usages and Definition• Deleted chapter 1.2 on Changes and Compliance Update